

Internet copy.

**ADVANCED MAGNETIC PROPULSION SYSTEMS
(UFOs, Magnocraft, Free Energy Devices)
Part 1
The Philosophical Foundations**

by

Dr Jan Pajak

Scientific Monograph
Dunedin, New Zealand, 1990
ISBN 0-9597698-9-7
© 1990 by Dr Jan Pajak

Updated on 5 July 2010

SCIENTIFIC MONOGRAPH [1e]

Author: Jan PAJAK, Doctor of Technical Sciences, Master of Engineering and Engineer (Technical University of Wroclaw, Poland).

Title: "Advanced Magnetic Propulsion Systems"
(UFOs, Magnocraft, Free Energy Devices).

Editorial data: Monograph, 1st New Zealand edition, ISBN 0-9597698-9-7, Dunedin, 1990.

Copyright © 1990 by Dr Jan Pajak.

All rights reserved. Copying, transmission, or storing of this monograph is subject to the following conditions:

#1. A facsimile (copy) of this copyright page must also be included with any copy made of either part or all of this monograph, if this copy is to be used independently from other texts. In the case of incorporating a copy of this monograph into another text, information on the author, title, and editorial data must also be included.

#2. For all non-profitable purposes (e.g. studies, education, research, etc.) this monograph can be copied, transmitted, or stored without restrictions, providing that the copies are distributed (or accessible) free of charge, or for the reimbursement of costs only.

#3. There are no restrictions on the inclusion of brief quotations from this monograph in a review, private studies, research, or criticism, providing that in any such a quotation the authors contribution is fully acknowledged (i.e. author, title, editorial data, and page number, of this monograph are stated).

#4. For purposes involving financial profit (e.g. reprinting in journals, books; presentation in TV programmes; etc.), no part of this monograph may be reproduced in any form or by any means without prior permission in writing from the author.

National Library of New Zealand Copyright Deposit No.: PO # 00-017004.

Published in Dunedin, New Zealand, 9 October 1990. A private edition by the author.

Date of the most recent update of this volume and copy: 5 July 2010 (Note that in case of having access to several copies of this monograph, it is recommended to read the copy which has the latest date of latest distribution/printing.)

This monograph is available from Internet through addresses registered in several search engines.

Contacts with the author of this monograph:

- All correspondence should be addressed to:

Dr Jan Pajak
P.O. Box 33250
Petone 5046
New Zealand.

- E-mails: pajakjan@yahoo.co.nz, jpajak@poczta.wp.pl, janpajak@gmail.com.

CONTENTS of [1e], Dunedin 1990, ISBN 0-9597698-9-7:

Chapter/subsection	Page
A. INTRODUCTION	A-1
A1. The organization of this monograph	A-1
A2. Reference to resource publications	A-1
A3. This monograph formally proves that UFOs do exist	A-2
A4. How to read this monograph	A-3
A5. The history of this monograph	A-4
A6. The aims of this monograph	A-5
A7. Sponsorship for the building of the Oscillatory Chamber is sought	A-6
A8. Constructive criticism as a motive force for the further development of the Theory of the Magnocraft	A-7
A9. Milestone Journal articles by the author	A-7
 PART 1: THE PHILOSOPHICAL FOUNDATIONS	 B-9
B. THE PERIODIC PRINCIPLE IN THE DEVELOPMENT OF PROPULSION SYSTEMS	B-10
B1. Everything in our environment, including the formulation of inventions, is governed by appropriate laws	B-11
B2. The basics of propulsion	B-11
B2.1. The working medium	B-12
B2.2. The primary requirement for building a controllable propulsion system	B-13
B3. The content of the Periodic Principle	B-13
B4. The first generation of the magnetic propulsion systems	B-15
B4.1. The Magnocraft	B-16
B4.1.1. The general design and components of the Magnocraft	B-16
B4.1.2. Flight control	B-17
B4.1.3. The specifications of the Magnocraft	B-18
B4.2. The second motor-propulsor pair in the first generation of magnetic propulsion systems	B-19
B5. Three successive generations of magnetic propulsion systems	B-19
B5.1. How the "omnibus trend" should culminate in three conventions of the Magnocraft's operation	B-20
B6. Second generation of magnetic propulsion systems, operating in the telekinetic (teleportative) convention	B-21
B6.1. Phenomenon utilized in the second generation of magnetic propulsion systems	B-21
B6.1.1. Action of the Telekinetic Effect explained by the Concept of Dipolar Gravity	B-23
B6.1.2. Summary of the Telekinetic Effect activated technologically	B-25
B6.2. Telekinetic power-stations (or "free energy devices")	B-26
B6.2.1. Periodic Table postulating the future completion of telekinetic power-stations	B-27

B6.2.2. Review of the main types of telekinetic power-stations built so far	B-29
B6.2.3. Future directions in utilization of the Telekinetic Effect	B-36
B6.3. Teleportation Vehicle as the Magnocraft of the second generation	B-37
B7. Third generation of the Magnocraft (Time Vehicles)	B-41
Tables B1 and B2	B-45
Figures B1 to B10	B-47
C. EVEN IF ANTIGRAVITY EXISTED, MAGNETIC PROPULSION WOULD STILL REMAIN THE ONLY FEASIBLE ALTERNATIVE FOR SPACECRAFT TRAVELLING INTERSTELLAR DISTANCES	C-57
C1. The antigravitational spacecraft would be impossible to manoeuvre and difficult to stabilize	C-58
C2. The manoeuvreable antigravitational spacecraft would simply be an advanced version of contemporary rockets	C-59
C3. With self-rechargeable propulsion, gravity does not affect energy consumption	C-60
C4. The field of the antigravitational spacecraft would absorb huge amounts of energy	C-61
C5. For the purpose of landing, the energy of the antigravitational field must be disposed of	C-62
C6. The strong field would repel everything from the antigravitational spacecraft	C-62
C7. The forces of reaction caused by the repulsion of other objects, would also hurl the antigravitational craft through space	C-63
C8. Antigravity would induce a number of dangers	C-63
C9. Even without knowing about the Concept of Dipolar Gravity there are no known premises suggesting any possibility of achieving the antigravitational field	C-64
C10. Summary	C-64
D. THE CONCEPT OF DIPOLAR GRAVITY	D-66
D1. Why the Concept of Dipolar Gravity was formulated	D-67
D2. The operation of our Universe ruled by dipolar gravity	D-70
D2.1. Ether - the thinking substance from the counter-world	D-74
D2.2. Software models (registers) of material objects	D-76
D2.3. Possible gains from the mastery of the counter-world	D-78
D3. The interpretation of time in the Concept of Dipolar gravity	D-78
D4. The interpretation of electromagnetic phenomena in the Concept of Dipolar Gravity	D-80
D4.1. What is a magnetic field?	D-80
D5. Why, according to the Concept of Dipolar Gravity, paranormal phenomena must display electromagnetic character	D-82
D6. Telekinesis - a power source for free energy devices and a principle of operation for Teleportation Vehicles	D-83

D7. The model of the brain as an input-output device	D-86
D8. ESP - a key to instant benefits from the counter-world	D-90
D8.1. Perfect Data Base (PDB) as a theoretical model of ESP	D-93
D8.2. How to develop a simplest pendulum assisted ESP technique	D-95
D9. How the Concept of Dipolar Gravity explains some mysterious phenomena	D-96
D10. How the Concept of Dipolar Gravity merges science with religion	D-99
D10.1. The Universe as a whole possesses its own intellect	D-99
D10.2. Moral laws	D-101
D10.3. Consistency - the measure of intellectual perfection	D-104
D11. An experimental proof for the existence of the counter-world	D-104
D12. To conclude	D-107
D13. Reference publications	D-107
Figures D1 to D8	D-108
E. PHILOSOPHICAL REQUIREMENTS FOR GIVING RECOGNITION TO NEW IDEAS	E-115
E1. Everything is possible: we only need to find out how to achieve it	E-116
E2. All facts are equal - each of them deserves the same consideration	E-117
E3. All statements of others are true unless they are proven to be untrue	E-118
E4. Everything can be improved further	E-120
E5. Knowledge is responsibility	E-121
E6. What is totalizm?	E-122
Figure E1	E-124
PART 2: THEORY OF THE MAGNOCRAFT	F-125
F. THE OSCILLATORY CHAMBER	F-126
F1. Why there is a necessity to replace the electromagnet by the Oscillatory Chamber	F-126
F2. The principle of operation of the Oscillatory Chamber	F-128
F2.1. The electrical inertia of an inductor as the motive force for oscillations in a conventional oscillatory circuit with a spark gap	F-128
F2.2. In the modified oscillatory circuit with a spark gap, the inductance of a stream of sparks replaces the electrical inertia of an inductor	F-129
F2.3. The combination of two modified circuits forms an "Oscillatory Chamber" producing a bipolar magnetic field	F-131
F3. The future appearance of the Oscillatory Chamber	F-132
F4. The condition under which the sparks will oscillate within the Oscillatory Chamber	F-133
F4.1. Resistance of the Oscillatory Chamber	F-133
F4.2. Inductance of the Oscillatory Chamber	F-133

F4.3. Capacitance of the Oscillatory Chamber	F-134
F4.4. The "sparks' motivity factor" and its interpretation	F-135
F4.5. Condition for the oscillatory response	F-135
F5. How the Oscillatory Chamber eliminates the drawbacks of electromagnets	F-136
F5.1. Mutual neutralization of the two opposite electro-magnetic forces	F-136
F5.2. Independence of the magnetic field production from the continuity and efficiency of the energy supply	F-137
F5.3. Elimination of energy loss	F-138
F5.4. Releasing the structure of the chamber from the destructive action of electric potentials	F-140
F5.5. Amplifying control of the period of field pulsation	F-140
F6. Advantages of the Oscillatory Chamber over electromagnets	F-141
F6.1. Formation of the "twin-chamber capsule" able to control the output without altering the energy involved	F-142
F6.2. Formation of the "spider configuration"	F-144
F6.3. The non-attraction of ferromagnetic objects	F-145
F6.4. Three-dimensional transformation of energy	F-146
F6.5. Perpetual oscillating - a unique electromagnetic phenomenon allowing the Oscillatory Chamber to absorb unlimited amounts of energy	F-146
F6.6. Function as an enormously capacious accumulator of energy	F-147
F6.7. Simplicity of production	F-148
F7. Advancements in the practical completion of the Oscillatory Chamber	F-148
F7.1. Experimental devices	F-149
F7.2. Stages, goals, and ways of their achieving in the experimental building of the Oscillatory Chamber	F-150
F7.3. The author's policy of the public ownership of the Oscillatory Chamber principles	F-152
F8. The energy conservation and energy production potentials of the Oscillatory Chamber	F-153
F8.1. Characteristics of the first period (change-over) of the chamber's implementation	F-154
F8.2. Characteristics of energy management during the second, stable period of the Oscillatory Chamber's utilization	F-154
F9. Future applications of the Oscillatory Chamber	F-156
F10. Monographs describing the Magnocraft, the Oscillatory Chamber and other corresponding devices	F-157
F11. Symbols used in chapter F	F-159
Table F1 and Figures F1 to F10	F-160
G. THE MAGNOCRAFT	G-171
G1. The magnetic propulsor	G-172
G1.1. The principle of tilting the magnetic axis in a Magnocraft's propulsor	G-173
G1.2. The propulsion unit	G-174
G1.3. Using propulsors as searchlights	G-175
G2. The shell of the Magnocraft	G-175
G2.1. Terminology describing various parts	

of the Magnocraft's shell	G-176
G2.2. The Magnocraft's compartments	G-177
G2.3. The Magnocraft's facilities	G-178
G2.4. Materials for the Magnocraft's shell	G-178
G2.4.1. The electrodynamic model of magnetorefectiveness	G-179
G3. Shapes of the coupled Magnocraft	G-179
G3.1. The six classes of the Magnocraft arrangements	G-180
G3.1.1. Flying complexes	G-181
G3.1.2. Semi-attached configurations	G-182
G3.1.3. Detached configurations	G-183
G3.1.4. Carrier platforms	G-183
G3.1.5. Flying systems	G-184
G3.1.6. Flying clusters	G-184
G3.2. The principles of coupling and decoupling	G-186
G3.3. The hydraulic substance filling the space between the craft ("angel's hair")	G-187
G3.4. The black bars of the magnetic field	G-188
G4. The conditions defining the shape of the Magnocraft's shell	G-188
G4.1. The condition of equilibrium between the thrust and stabilization forces	G-189
G4.2. The basic condition for the force stability of the structure of a craft which uses magnetic propulsors	G-190
G4.3. The condition for expressing the "K" factor by the ratio of outer dimensions	G-191
G4.4. The condition for optimum coupling into flying systems	G-192
G4.5. The condition under which the flanges coincide	G-192
G4.6. Types of Magnocraft	G-193
G4.7. Identifying the types of Magnocraft	G-194
G4.8. The magnetic framework	G-195
G5. The magnetic field of the Magnocraft	G-195
G5.1. The starting flux	G-195
G5.2. The naming of the magnetic poles	G-198
G5.3. The effective length of the Oscillatory Chamber and the net magnetic force	G-197
G5.4. The determination of the value for the starting flux	G-198
G5.5. The energy of the Magnocraft's field	G-199
G5.6. The energy of the Magnocraft's field is self-rechargeable	G-200
G5.7. Why the Earth's magnetic field should not be called "weak"	G-200
G5.8. The Earth's magnetic field is able to carry out technically useful work	G-201
G6. The manoeuvring of the Magnocraft	G-201
G6.1. Ascent, hovering, and descent	G-202
G6.2. Meridional flights	G-202
G6.3. Latitudinal flights	G-203
G6.3.1. An experiment showing the existence of the latitudinal thrust force	G-203
G6.3.2. The deduction that explains the principles of the latitudinal thrust force formation	G-203
G6.3.3. How to determine the direction of the	

thrust force created by the magnetic whirl (the "rolling sphere rule")	G-204
G6.4. The rotation of the Magnocraft	G-205
G7. The magnetic whirl	G-206
G7.1. The magnetic circuits in the Magnocraft	G-206
G7.2. Creation of a magnetic whirl	G-207
G7.3. The ionic picture of a whirl	G-208
G8. Three modes of the Magnocraft's operation	G-209
G8.1. Visual recognition of the mode	G-210
G8.2. The SUB system for indicating the Magnocraft's mode of operation	G-211
G9. The properties of the Magnocraft	G-212
G9.1. The properties of the Magnocraft during the magnetic whirl mode of operation	G-212
G9.1.1. Properties of the tunnels made in rocks by the Magnocraft	G-213
G9.2. The properties of the Magnocraft during the throbbing mode of operation	G-215
G9.3. Humming noises appearing in both the magnetic whirl and throbbing modes of operation	G-215
G9.4. The properties of the Magnocraft during the magnetic lens mode of operation	G-216
G9.4.1. The magnetic lens action in ascending Magnocraft	G-217
G10. The landing sites of the Magnocraft	G-217
G10.1. Environmental damage caused by the landed Magnocraft	G-218
G10.2. Three main classes of the Magnocraft's landings	G-221
G10.3. The landing sites for the magnetic circuits looped under the ground	G-222
G10.3.1. Determination of the Magnocraft's dimensions from the scorch marks left at landing sites	G-223
G10.4. The landing sites with magnetic circuits looped along the surface of the ground	G-225
G10.5. The landing sites for circuits looped in the air	G-225
G10.6. The landing sites formed by arrangements of the Magnocraft	G-226
G11. Explosion sites of the Magnocraft	G-226
G12. Summary of the attributes of the Magnocraft	G-229
G13. Military aspects of the Magnocraft	G-233
G13.1. Use of the Magnocraft as a weapons platform or transportation facility	G-233
G13.2. Use of the Magnocraft as a selectively acting weapon	G-234
Tables G1 to G3 and Figures G1 to G42	G-236
 H. PERSONAL PROPULSION	 H-282
H1. The standard garment of Personal Propulsion	H-282
H2. A special version of Personal Propulsion with cushions around the hips	H-283
H3. The garment with main propulsors in epaulets	H-283
H4. Principles of operation of magnetic Personal Propulsion	H-284
H5. The attributes of Personal Propulsion	H-285
Figures H1 to H4	H-287

I. THE FOUR-PROPULSOR SPACECRAFT	I-291
I1. The general design of the Four-Propulsor Spacecraft	I-291
I2. The operation of the Four-Propulsor Spacecraft	I-292
I3. The properties of the Four-Propulsor Spacecraft	I-293
I4. Identification of the type of Four-Propulsor Spacecraft	I-294
Figures I1 to I2	I-295
PART 3: THE EVIDENCE CONFIRMING THE VALIDITY OF THE THEORY OF THE MAGNOCRAFT	J-297
J. FORMAL PROOF THAT "UFOs ARE ALREADY OPERATIONAL MAGNOCRAFT"	J-298
J1. Principles of selecting the relevant UFO evidence	J-300
J2. Matching of the Magnocraft's attributes	
with those observed in UFOs	J-302
J2.1. The observed shapes of solo flying vehicles	J-302
J2.1.1. The vision distorting factors	J-303
J2.2. The observable arrangements of coupled vehicles	J-304
J2.3. The absence of mechanically co-operating parts	J-306
J2.4. The predetermined (Magnocraft-like)	
location of propulsors	J-306
J2.5. The utilization of magnetic interactions	
for producing the propelling forces	J-307
J2.5.1. Why the Magnocraft's principles could	
not be formulated 40 years earlier	J-308
J2.6. The formation of a magnetic whirl	J-309
J2.7. The ability to change the mode of the UFO's operation	J-309
J2.8. The induction of electric currents	J-311
J2.9. The emission of various light signals	J-311
J2.10. The interference with electromagnetic radiation	J-313
J2.11. The ability to control the	
resources of the UFO's energy	J-315
J2.12. The magnetic manner of flying which	
contradicts laws of hydromechanics	J-316
J3. Concluding the reasoning and evidence from this chapter	J-317
J4. Chapter J reference material	J-320
Figures J1 to J34	J-321
K. THE VALIDATION OF THE CONCEPT OF DIPOLAR GRAVITY	K-355
K1. Premises for the telepathic beacon system	
installed on Earth	K-355
K2. Sightings of Teleportation Vehicles in operation	K-357
K3. The evidence confirming the existence of Time Vehicles	K-359
Figures K1 to K4	K363
L. EVIDENCE CONFIRMING THE VALIDITY OF THE OSCILLATORY CHAMBER	L-367
L1. Sightings and photographs of Oscillatory Chambers	
used in UFO propulsors	L-367
L1.1. Columns of magnetic field yield from UFO propulsors	
are square in the cross-section	L-368
L1.2. Outlets of UFO propulsors are square and reveal gold	
or yellow bands of electric sparks rotating inside	L-369
L1.3. Twin-chamber capsules formed from two Oscillatory	
Chambers are frequently observed in UFOs	

and even photographed	L-370
L1.4. Oscillatory Chambers have been seen on the decks of UFOs as described by numerous abductees	L-371
L1.5. Indirect confirmations that UFOs use Oscillatory Chambers	L-373
L2. Material evidence left by UFO Oscillatory Chambers	L-374
L3. Ancient descriptions of the Oscillatory Chamber	L-374
L4. Conclusion	L-377
L5. Chapter L reference material	L-377
Figures L1 to L7	L-379
M. THE MATERIAL EVIDENCE AVAILABLE THAT CONFIRMS THE LONGSTANDING USE OF MAGNOCRAFT-TYPE UFOs	M-386
M1. Material evidence on UFO landing sites	M-387
M1.1. All three known types of landing sites are formed by visiting extraterrestrial vehicles	M-387
M1.2. The value of the Cosmic Cubit can be determined from UFO landing sites	M-388
M1.3. The diameters of landing sites confirm the existence of eight basic types of extraterrestrial vehicles	M-390
M1.4. Some marks left on the ground document the landing of entire configurations of UFOs (including flying systems)	M-391
M1.5. Why UFO landing sites could not be formed by the growth of mushrooms or by any other natural cause	M-391
M1.6. There is a critical landing duration after which sites become permanent	M-394
M1.7. More that else we can learn from UFO landing sites	M-394
M2. Long, straight, geometrically-shaped underground tunnels - material evidence of the ancient operation of the Magnocraft	M-396
M3. UFO explosion sites	M-398
M3.1. The Tapanui Crater	M-399
M3.2. The Tunguska Explosion	M-405
M3.3. What can be learned from both explosion sites (i.e. Tapanui and Tunguska)	M-408
M4. Fragments of UFO vehicles found on Earth	M-410
Figures M1 to M30	M-411
N. SIGHTINGS OF UFONAUTS WHO USE MAGNETIC PERSONAL PROPULSION	N-441
N1. The characteristic appearance of the wearers of personal propulsion	N-441
N2. The extraordinary abilities of UFOnauts wearing personal propulsion garments	N-442
N3. The scorched footprints left by personal propulsion of a UFOnaut	N-443
N4. The consequences of the sighting of personal propulsion of UFOnauts	N-444
Figures N1 to N6	N-446
O. CONTEMPORARY SIGHTINGS OF FOUR-PROPULSOR UFOs	O-452
O1. Classic sightings of four-propulsor UFOs	O-452
O2. Photographs of four-propulsor UFOs	O-454

O3. Concluding this chapter	O-454
Figures O1 to O3	O-455
P. HOW TO ORGANIZE EDUCATIONAL COURSES DEDICATED TO "EXPLAINING THE UNEXPLAINED"	P-458
Figures P1 to P2	P-460
Q. ABOUT THE AUTHOR	Q-462

INTRODUCTION

"Today's theories shape tomorrow's reality" and "tomorrow's standard of living will depend on the success of today's theories". These old truths, having proved themselves so many times in our history, should make us responsible for the creation, development, distribution and implementation of new scientific theories. Being aware of this responsibility, the author submits in this monograph his three theories concerning: (1) a completely new principle of propelling space vehicles (i.e. the Magnocraft), (2) the operation of a new device able to produce a magnetic field of theoretically unlimited strength and capable of storing non-restricted amounts of energy (i.e. the Oscillatory Chamber), and (3) the principles of telekinetic motion, including the operation of technological devices that supply telekinetic motion for the purposes of spaceships' propulsion and free energy production (i.e. the Concept of Dipolar Gravity). If any of these theories were to be implemented practically, not only would our world be reconstructed in all energy-related areas, but every aspect of our lives would also be changed drastically - beginning in the political arena (promotion of a world leader), through social and economic transformation (opening unlimited cosmic resources for colonization and exploitation), and concluding with our style of living (replacing our stationary homes with movable spacecraft).

All the ideas and inventions presented in this monograph have been formulated by one person only, i.e. the author. Although some of their elementary components have been commonly known for a long time, no-one has synthesized them before in the form of the theories presented in this publication.

No theory is able to implement itself. It is people who turn ideas into reality. Therefore the monograph that follows will only present goals and potentials, but their actual achievement will depend on the good will and the determination of all of us. It can not be denied that the introduction of a breakthrough is an extremely difficult task, for it not only requires titanic effort to make important discoveries, but it also takes great men to follow through with the implementation of them.

Note: the views/theories expressed in this monograph are solely those of the author and are not representative of the institution in which the author is currently employed.

A1. The organization of the monograph

The unconventional organization of this monograph requires an explanation. It is structured as a set of individual chapters, each of them marked consecutively by a letter of the alphabet: A, B, C, D, ..., etc. Every item that concerns a particular chapter, i.e. pages, diagrams, tables, equations; is labelled with the letter assigned to this chapter, which is then followed by the consecutive number of this item in the chapter.

A2. Reference to resource publications

For scientific exactitude, each time the deductions contained in this monograph are supported by some data originating from other publications, the author has provided the reference to the resource material. Such a reference is given in square brackets that contains the number of a particular publication followed by the chapter or subsection number in which this publication is detailed. For example a reference indicated as "[3J]

page 78" means: for the indicated detail look at page 78 in the third publication listed at the end of chapter "J".

Notice that this monograph refers to two kinds of resource publications, i.e. single use and multiple use. Reference to single use publications appears only once in the entire monograph. For this reason the details of these publications are given "on the spot" when the reference to them appears. The label of these single use publications consists also of the number of subsection in which they are listed, e.g. [3J2] means: the third publication listed within the subsection J2. Multiple use publications are listed at the end of the chapter which contains the most references to this publication.

A3. This monograph formally proves that UFOs do exist

One of the achievements of this monograph is that it presents formal proof that UFOs do exist. This proof is put forward by the author in order to show that the Magnocraft's concept is correct and valid. The basic assumption made here was that: if we can prove that some extraterrestrial civilization already uses the Magnocraft, then this also would mean that the entire theory behind the Magnocraft is correct and that this vehicle definitely can be built. Putting this in other words, proving that "UFOs are already operational Magnocraft" has the same value as the actual presentation of a working model of the Magnocraft.

After proposing the above assumption the author proceeded with formulating formal proof that "UFOs are already operational Magnocraft". The scientific methodology applied to this is that of "matching the attributes". To briefly explain this methodology, it compares subsequent attributes that describe (belong to) two objects, then depending on how these attributes match each other it reasons about the objects themselves. In the case of the discussed proof, two following sets of attributes were used in comparisons:

(1) those which describe the Magnocraft - they were derived theoretically from the "Theory of the Magnocraft", and

(2) those which describe UFOs - they were gathered empirically from the sighting of UFOs.

Because both these sets of attributes match each other perfectly, the objects that they describe must represent vehicles that operate in an identical manner.

Technically, each of the compared vehicles, i.e. UFOs and the Magnocraft, were described by 12 classes of non-related attributes. A list of these is provided in subsection G12. Within each class a large number of individual attributes were compared. For example within the class of "ability to couple into flying arrangements" (see subsections G3 and J2.2) as many as 8 individual arrangements of these vehicles were subjected to comparisons (i.e.: #1 - spherical flying complexes (compare Figures G7 and J11, J26, J30), #2 - cigar-shaped complexes (compare Figs G8 and J12), #3 - fir-tree complexes (Figures G10 and J13), #4 - detached configurations (Figures G13 and J14, K4, L1), #5 - semi-attached configurations (Figures G11, G12 and L2, J15), #6 - carrier platforms (Figures G14 and J16), #7 - flying systems (compare Figure G16 and Figures J10 - shape D/2, M12), and finally #8 - flying clusters (see Figures G17 and M13)). The effect of describing both vehicles by 12 classes of attributes is that all possible differences between the Magnocraft and UFOs can be identified with extreme precision. The enormous potential of differentiating between objects whose 12 attributes can be varied, illustrates the following hypothetical example of building a series of distinctively different flying vehicles. This series is assumed to comprise only the vehicles which differ from those previously completed by not less than one (out of 12) attribute. The calculations show that such a series should contain something between $2^{12}=4096$ and as many as $12!=4.79\cdot 10^8$ different vehicles (depending on how many variations each of these 12 attributes takes). Practically this means that if we built one such vehicle a year starting immediately after our civilization began, we would still not be able to complete the entire series (for comparison our

civilization has built flying vehicles for no longer than two centuries and during this time only three new kinds of such devices have been completed, i.e. balloons, aeroplanes and space rockets). The above example illustrates that the purely coincidental match of all 12 classes of Magnocraft's and UFOs' attributes is impossible. Thus, from the mathematical probability point of view, the confirmation that such a total match in fact occurs, suffices as formal proof that "UFOs are already operational Magnocraft".

It should be stressed that the proof based on "matching the attributes" in definition allows unlimited numbers of comparisons (i.e. every fact gathered from a UFO sighting can be compared to a corresponding fact derived theoretically from the Magnocraft). Therefore, this kind of proof still remains valid even if the individual attributes of UFOs that it utilizes for some reason could not be validated. This characteristic of the proof presented here neutralizes the basic strategy of sceptics being used so-far to abolish previous attempts of proving the existence of UFOs. We know that all these previous attempts were based on single facts (e.g. single sighting, single event, single material evidence, etc.). Therefore after the sceptics put this single fact in doubt, the entire proof was invalidated. For the proof presented here this strategy of sceptics would simply not work. In order to put it in doubt they would need to prove conclusively that all the evidence of UFO manifestations is non-existent (philosophically, proving this is impossible). For this reason the deductions presented in this monograph are "sceptics proof".

The formal proof that UFOs do exist is presented in chapter J, especially in its subsection J2 with conclusions in subsection J3. Those people whose vital interest in UFOs prompt them to look at this proof first, are welcome to start the reading of this monograph there. But the first part of chapter B (including subsection B4.1) should be read beforehand to learn basics about the Magnocraft, and then the introduction to chapter J (i.e. pages J-1 to J-3) should also be looked at. While proceeding with subsection J2, frequent excursions to the appropriate descriptions from chapter G should be made in order to learn the details of the Magnocraft's attributes that are referred to in the course of deductions.

A4. How to read this monograph

Scientific theories, unlike popular books, must be presented in a certain order. Firstly a kind of foundation must be formed and then the rest of the deductions are built up like a pyramid. This monograph has also been written in such a way. But this construction means that the most difficult and weighty material is presented first. So some non-technically minded readers may balk at the very beginning of chapter F, giving up before reviewing the next chapters which consist of much more comprehensible material. Therefore the author recommends reading this monograph in a different order from that in which the logic of deduction forced it to be written. This suggested order is as follows:

#1. A brief familiarization with the flying vehicle called the Magnocraft. For this:

- The introductory part of chapter G presents the rationale for building the Magnocraft.

- Subsection B4.1 explains its general design and operation.

- Subsection G13 reviews the most spectacular capabilities of this vehicle.

#2. Reviewing the summary on the device called the Oscillatory Chamber, which provides the Magnocraft with its propelling powers (i.e. the Oscillatory Chamber is an "engine" for the Magnocraft).

- Subsection F1 explains why there is a necessity to replace the electromagnets by Oscillatory Chambers.

- Subsection F9 illustrates what kind of device we are talking about.

- Subsection F3 provides an idea of the future appearance of the Oscillatory Chamber.

- The introductory part of chapter L lists the most commonly known evidence confirming the validity of the chamber's principles.

#3. Learning why the Magnocraft sooner or later must be built.

For this:

- The introductory part and first three subsections of chapter B reveal that the development of new propulsion systems is governed by a certain law, called the Periodic Principle, which requires the Magnocraft to be the next type of vehicle completed on Earth.

- The introductory part of chapter C reveals that there is no other alternative for us than to build the Magnocraft.

#4. Realizing that a source of ready technical information on the Magnocraft can be available.

- The introductory part of chapter M shows that there is an overwhelming material evidence available which documents that some other civilization continually uses on Earth spaceships (called UFOs) identical to the Magnocraft. This evidence suffices for the construction of a formal proof that "UFOs are already operational Magnocraft" (presented in chapter J).

- The introductory part of chapter J informs the reader that the formal proof presented in chapter J (that "UFOs are already operational Magnocraft") enables a more rapid completion of the Magnocraft through implementing in it the technical ideas observed on UFOs.

After completing the above sections, the reader is in a better position to begin the systematic reading of the entire monograph. Now the deduction that follows should be easier to understand.

A5. The history of this monograph

In 1972 the author conducted a series of lectures for students of the Technical University of Wroclaw (Poland) which included selected aspects of propulsion systems. For the purpose of these lectures he prepared a systematization of the propulsions hitherto completed on Earth, which, after being presented in the form of a Table similar to the one provided in chapter B (see Table B1), revealed a surprising regularity in the inventions of the Earth's propulsion systems. This regularity, later called the "Periodic Principle" in the development of propulsion systems, was first published in 1976 - see the article [1A]. The present form of the Periodic Principle is described in chapter B. One of the consequences of discovering this regularity was realizing that the commonly known electric motor is only the first of four different propulsion systems which will utilize a magnetic field. The next of them (i.e. the Magnocraft) will be an extension and improvement of the principles of operation applied in the electric motor, but utilized within a flying vehicle. This next magnetic propulsion, according to the Periodic Principle, should be completed before the year 2036.

The discovery of the Periodic Principle initiated a series of research investigations and inventions which in 1980 produced the first paper (see article [2A]) containing a complete description of the Magnocraft's design and principles of operation.

Simultaneously with the research on the Magnocraft, the author also conducted an intensive search for the principle of magnetic field production that would allow for an unlimited increase of produced outputs. The aim here was extremely difficult to achieve, and during the last two centuries numerous other scientists had already failed to find such a principle. However, the author had the good fortune to succeed and in 1984 the principles of a new device called the Oscillatory Chamber were published in the monograph [1F] entitled, "Theory of the Magnocraft".

Between 1980 and 1986 various papers describing the Magnocraft and the Oscillatory Chamber were published. The most important of these were the two first monographs listed at the end of chapter F - see [1F] and [2F]. In 1986 the author decided to combine the most important topics, covered in the publications named above, and started to prepare the first formulation of the monograph (initially under a different title - see [3F])

which, after numerous transformations and improvements, reached the final version represented by this publication.

It should be stressed here that the ideas presented in this monograph release strong reactions in many people. The author experienced such reactions while conducting his research. In general, they can be classified into two extremes. One group of people shows disapproval and hostility towards the ideas. Some of these individuals have tried to prevent the dissemination of his work by exerting various pressures on the author, including administrative repression, professional discrimination, and psychological pressure. On the other hand, another group of people has shown ever-increasing support and encouragement to the author and his research. Interesting results are shown from an analysis of the background of the people who represent both these opposite sides. The condemning stand is usually taken by officials who represent the establishment (e.g. academics who occupy administrative positions at universities, politicians, professionals). It appears that some people feel threatened by ideas from this monograph. The supportive group includes people who have opened themselves to new ideas. Examples of these include scientists involved personally in conducting some kind of pioneering research, people who have seen UFOs, practitioners of alternative medicine and alternative lifestyles. Thanks to these supportive people, continuation of the author's research to the stage presented in this monograph was possible, in spite of the condemnation of others.

It is worth mentioning here that the author's native language is Polish and that he learned English after he arrived in New Zealand eight years ago. This means that all publications by the author still require checking of his English. Therefore, out of all the supportive people, a special contribution was provided by those who verified the correctness of English used in the author's subsequent monographs. Ms Prudence BATTERY of Christchurch, New Zealand, undertook the task of improving the English in this edition of the monograph. The author wishes to take this opportunity to thank her for this important contribution.

A6. The aims of this monograph

It is understandable that the limited size of this publication does not allow every possible solution to be presented and every possible question to be answered. This would be like trying to describe fully the supersonic aeroplane in one volume and then expecting a reader, who had no previous knowledge of it, to become fully familiar with every detail. We must also remember that the Magnocraft is a much more advanced vehicle than an aeroplane. So it should not be expected that after reading this monograph everyone will be able to build his/her own Magnocraft. There is, however, a number of other goals that the author is trying to achieve in this publication. These goals are:

1. The presentation of the philosophical basis for the ideas presented in this monograph,
 2. The presentation of the phenomena, laws and principles involved in the magnetic propulsion of flying vehicles,
 3. An explanation of the operation of magnetic propulsion,
 4. Proof of the validity of the ideas presented, from a logical, physical and technical point of view.
 5. A discussion of the design and specifications of vehicles applying magnetic propulsion.
 6. The creation of a platform for the discussion and verification of the theories presented here.
 7. The formulation of a scientific basis which will facilitate further applied research.
- The author hopes that the future will confirm the merit of these goals.

A7. Sponsorship for the building of the Oscillatory Chamber is sought

The path to the completion of all the devices described in this monograph will be cleared the moment the Oscillatory Chamber is built. Therefore at present the building of the Oscillatory Chamber is a primary goal, on which the efforts of all of us should be concentrated.

After wide discussion on the Oscillatory Chamber, initiated in January 1984 and involving scientists and engineers from a number of countries, not a single significant error was detected in the formation of the principles of this device. It is obvious, that if such an error existed, it would inevitably have been found by now, as it would require these principles to run against some known tenets of physics. Therefore this failure to reveal any error entitles us to conclude that the principal foundations of the Oscillatory Chamber should be recognized as correct. Now the time is ripe to begin the physical completion of this device. The factor that still prevents the Oscillatory Chamber from being built is technology. The mastering of this technology is at present the main goal of the author of this monograph. To achieve this goal a sponsor needs to be found who will finance and promote the experimental research on the Oscillatory Chamber. This monograph is dedicated to gaining the attention of any person, institution or organization that is in a position to become such a sponsor.

The history of technical development supplies us with a number of examples in which a theoretically correct idea didn't have the appropriate technology at the moment of its conception (e.g. atomic energy, supersonic aeroplanes, the landing of men on the Moon). However, the power of the human mind, the belief in logic and the might of a collective effort by many people has always made it possible to overcome all obstacles to reach the goal. We must hope that the building of the Oscillatory Chamber will follow a similar course.

The involvement in the completion of the Oscillatory Chamber appears to be difficult and expensive, but in fact it is rather a matter of eagerness and conditions than money. Almost every middle-sized university possesses at its disposal all the necessary equipment and instruments for the completion of this device. Its material requirements are almost none (see subsection F3). The building of it seems to depend more on the finesse of the experiments and the profundity of the deductions than on the sophistication of accessible laboratory equipment or availability of materials. Now it is probably just a matter of time before such devices become operational. The author is prepared to complete the Oscillatory Chamber by himself, with only minor financial assistance and slight intellectual stimulation on the part of other scientists. However, the consequences of his emigration from Poland have put him at a disadvantage, and he may need a number of years to restore without help the appropriate conditions for research.

The probability that the Oscillatory Chamber will be completed within five years by the author, supported by some advice from a small team of scientists representing expertise in the areas involved, i.e. electrical fields, sparks, hydrodynamics, electromagnetism, material engineering, etc., can be estimated at the level of about 70% - if the appropriate conditions of research are assured (i.e. access to a high voltage laboratory, an adequate scientific library, technical back-up of research in necessary areas, e.g. producing the experimental devices, setting up instruments, helping with experiments, etc.). Furthermore, a consideration of the very important goals that this device will give to the country or organization sponsoring this research, at the rather insignificant costs that it seems to require, makes this project worth trying, even with a much lower probability of success.

On the other hand, it is also worth considering the consequences of not taking the opportunity to sponsor the completion of the Oscillatory Chamber. The military capabilities of this device presented in subsection F9 (see page F-30) and revealed in subsection G13, stress the political aspect of building it. Who will build the chamber first is just as important as whether it will be completed at all. Those who are in a position to assign funds for

experimental research on the Oscillatory Chamber should perhaps bear this in mind. If it is decided to support this research, and the completion of the chamber proves impossible at present, only the funds invested will have been placed in jeopardy. But if investment in this device is refused, and someone else, by completing the Oscillatory Chamber, proves that the author was right in his predictions, then a lot more than money could be at stake.

A8. Constructive criticism as a motive force for the further development of the Theory of the Magnocraft

The Magnocraft and Oscillatory Chamber are comparable to a car and its engine: they will never attain a state of absolute perfection and therefore they will always have some aspect which needs to be changed or improved. But the introduction of any improvement will require the prior detection of possible weak spots in these inventions. For centuries constructive criticism has proved itself a valuable means of detecting weak spots in any idea or product. Therefore the author welcomes an independent and broad-minded exchange of views. Any criticism or other comments will be deeply appreciated, and should be sent to the address provided on the copyright page.

A9. Milestone Journal articles by the author

Since the research on the Magnocraft was initiated in 1972 the author has published a number of Journal articles which constitute important milestones in the formulation of the theories presented in this monograph. Although the chapters that follow contain updated presentations of the topics discussed in all these articles, for historic exactitude the most significant of these are listed below.

[1A] "Teoria rozwoju napędów" (The theory of propulsion development), Astronautyka {Poland}, no 5/1976, pages 16 to 21. This article, written in the Polish language, presented for the first time the Periodic Principle which in this monograph is discussed in chapter B. It was extremely important for the Magnocraft as it initiated the entire research and indicated the correct direction of the research.

[2A] "Budowa i działanie statków kosmicznych z napędem magnetycznym" (Spaceships with magnetic propulsion design and principles of operation), Przegląd Techniczny Innowacje, no 16/1980, pages 21 to 23. This article, written in Polish, contained the first presentation of the Magnocraft's design and principles of operation. Its content summarized the present chapter G.

[3A] "Konstrukcja prosto z nieba" (A confirmation for a spaceship's idea comes from space), Przegląd Techniczny Innowacje, no 12/1981, pages 43 to 45. This article, presented in Polish, contained the first presentation of formal proof that "UFOs are already operational Magnocraft". An extended and improved presentation of this proof is contained in chapter J.

[4A]. "Czy UFO są Magnokraftami?" (How UFOs compare with Magnocraft). Horyzonty Techniki {Poland}, no 5/1984, pages 15 to 24. This article, written in Polish, contained the deduction of equations that mathematically describe the Magnocraft's (and UFO's) external shape. Similar deductions are provided in subsection G4, whereas the final equations are listed in Figure G23.

[5A]. "Gravitation Als Dipolare Felder" (The Concept of Dipolar Gravity), Raum & Zeit {West Germany}, no 34, June/July 1988, pages 57 to 69. This article, written in the German language, contains a summary of the Concept of Dipolar Gravity which in this monograph is presented in chapter D.

[6A]. "Operational free-energy devices propelled by accelerated magnetic fields", Tuning In (PO Box 255, Ivanhoe, Vic. 3079, Australia), Vol. 1 no. 6, May 1990, pp. 26-35; and Vol. 1 no. 7, July 1990, pp. 20-35.

This article contains the first description of free energy devices presented in subsection B6.

Notice that independently from the above Journal articles the author published a number of monographs whose subsequent editions are listed at the end of chapter F (see subsection F10).

PART 1.

THE PHILOSOPHICAL FOUNDATIONS

If we wish to reveal a single factor that represents the source of success or failure for individual people, entire nations or even civilizations, we would choose philosophy. For some people philosophy is the vehicle which arouses their intellectual explorations. For other people it is a barrier that limits their minds, impedes progress and robs them of the joy of life.

Philosophy is one of the oldest human disciplines. But it is also one of the most chaotic and unsuccessful disciplines, as is expressed by John Devey in his book "Philosophy of Education" (Littlefield, Adams & Co., Peterson, New Jersey, 1961, p. 3):

"There is not in our contemporary situation an authoritatively accepted body of doctrine called 'philosophy' for which duly accredited spokesmen can pretend to speak. There are philosophies and philosophers, and they differ philosophically".

For various reasons philosophy has not developed yet many attributes so characteristic for successful disciplines (e.g. engineering, physics, chemistry). For example philosophy has no clear definition, philosophical principles are non-verifiable by experimental means, philosophical laws do not seem to be clearly formulated and widely accepted. The best evidence for how unsuccessful the present philosophy is can be provided by everyday life. Each one of us applies a different personal philosophy in everyday situations without looking at the findings of experts concerning these situations. We may realize what this actually means when considering what would happen if every surgeon would have his/her own idea about the structure of the human body, or if every electrician would differ in his/her view on the laws that govern the flow of electrical currents. There are many similarities between the present state of philosophy and the state of physical sciences in some primitive, non-technological civilizations. And just as disorder in physics prevented some civilizations from technological development, probably also the chaos in our philosophy will prevent us from achieving further intellectual advancement.

The present state of our philosophy is reflected in the attitude of people towards new ideas, unexplained facts (e.g. UFOs), non-conventional thinking, individual differences, etc. Since the first publications on the Magnocraft brought various feedback from readers, it became obvious that for many individuals the main barrier in the accepting the idea of this vehicle is their personal philosophy. The majority of people who reject or doubt the Magnocraft, in fact have no rational motivation to do so. They are not able to indicate any error or fallacy in the vehicle's principles. Also they can not provide any objective reason for their refusal of the acceptance of this idea.

In order to overcome the philosophical barrier that prevents some people from accepting the idea of the Magnocraft, in four chapters B, C, D, and E that follow the author has presented some results of his selective research concerning philosophical foundations of the Magnocraft. Reading these three chapters should realize the background of the Magnocraft's invention and assure a better understanding of the new concept of interstellar travel that this vehicle introduces. The knowledge of the philosophical foundations behind the Magnocraft may also help to neutralize some non-realized sources of subconscious resistance against accepting the idea of this vehicle.

Chapter B.**THE PERIODIC PRINCIPLE IN THE DEVELOPMENT OF PROPULSION SYSTEMS**

The name "Periodic Principle" is given to the general regularity (or symmetry) which governs the inventions of subsequent devices that belong to the same category, or which can be found in subsequent discoveries relating to the same type of phenomena. This regularity has the effect that every new device built follows the same universal pattern which is repetitive, predictable and valid for all possible devices of a given category. Knowing the pattern that this Principle reveals, it is possible to predict the order of completion of future devices (or discoveries), their principles, operation, and also the approximate year when they will become implemented.

The Periodic Principle represents the operation of a more general law, called the "Principle of the Symmetry of Nature" (see description contained in subsection D1), after it is related specifically to inventions and discoveries. The example of the first historically famous application of the Periodic Principle was the formulation of the "Mendeléeev Table" (also called the "periodic table of the elements").

The discovery of the Periodic Principle was the consequence of a series of lectures about "selected aspects of propulsion systems" given by the author in 1972 for students of the Technical University of Wrocław, Poland. During the preparation of these lectures he noticed that the operation of propelling devices built so far on Earth form a symmetrical pattern, shown in Table B1. He called this pattern the Periodic Principle, and he illustrated its operation with a specially constructed table called the "Periodic Table". For the first time the description and implications of this table were presented in an article "Teoria rozwoju napędów" ("The theory of propulsion development"), published in the Polish Journal Astronautyka, number 5/1976, pp. 16-21. Later he discovered that the Periodic Tables can also be constructed for all other possible devices, not only propelling ones. The Periodic Tables represent a different implementation of the same general law that allowed the formulation of the "Mendeléeev Table", with only this difference - that they are designed specifically for technological devices instead of elements. Similarly, as is the case with the Mendeléeev Table, the analysis of Periodic Tables allows for the prediction of the future evolution of a particular type of device. This enables us not only to determine what implementations (models) of this type of device are still to be discovered, but also to define how these implementations will operate and what their properties and specifications will be.

One of the consequences of discovering the Periodic Principle is the awareness that the electric motor, built by Jacobie around the year 1836, must have a follow-up in the form of a magnetic propulsor. This propulsor should become operational before the year 2036. It will be utilized in the vehicle called the Magnocraft, and its operation will employ the same interactions between magnetic fields which are the basis of the principles of the electric motor.

The discovery of the Periodic Principle will introduce revolutionary consequences for our future progress. This is because it completely eliminates the random factor in the process of invention, i.e. the personality of an inventor. From now on, a formal methodology (or even a computer program) can be developed which, by utilizing the Periodic Principle, will be able to determine with high accuracy not only the principles of operation of future propelling devices, but also their design and specifications. Therefore, the Periodic Principle closes the previous period of invention, and opens a completely different period of systematic synthesizing of subsequent new devices that fulfils the "general plan" defined by the laws of the universe.

The operation of the Periodic Principle was initially worked out from the example of the development of propelling devices. However, evidence already gathered confirms that a version of this Principle also operates in every other field of our technical development (e.g. see Table B2). Therefore, after appropriate modification, the Periodic Principle may allow

for the introduction of a strict methodology into every area which until now was developed through inventions or discoveries.

B1. Everything in our environment, including the formulation of inventions, is governed by appropriate laws

We are ready to accept the fact that everything around us is governed by natural laws. No one is surprised that scientists create new technologies and design new machines making use of these laws. Some of us complain about economists who overlook some economic laws, thereby making our life more difficult. We criticize weather forecasting, while at the same time realizing that it is done when not all the atmospheric and climate laws are known or understood. But we are surprised by the statement that scientific discoveries and the creation of new ideas are also governed by particular laws.

The discovery of the Periodic Principle reveals that the process of inventing is not a spontaneous activity that happens at random. It rather seems to be a controlled and predictable consequence of the intellectual state that our civilization reaches at a particular level in its development. It seems that inventions and ideas are always ready and waiting in the "counter-world" (explained in subsection D2) and some more sensitive individuals have the ability to view and extract them continually. But in order to recognize their meaning and to crystallize their final shape, it is necessary for the civilization in which inventors live to achieve an appropriate level of awareness.

There are two separate components of the Periodic Principle. Their conjunction culminates in the creation of a new propelling device. These are:

1. The conceptual crystallization of an idea,
2. The physical completion of a device.

Both of these components are governed by different types of laws. The conceptual crystallization is ruled with an iron hand by the set of laws related to physics and mathematics. They determine the operation of subsequent devices, the order of their appearance, and also the approximate time when our civilization will be mature enough to complete them. Moreover, they ensure that in each generation there are a few individuals who can sense a future device and crystallize in their minds its concept.

But as we may realize from the content of this monograph, possessing the final concept of a new device does not automatically guarantee its future construction. This is because the physical completion of a new propulsion is governed by different, sociological laws. The author does not worked out yet their content completely, but he has noticed that they impose a set of very restrictive social, moral, educational and philosophical requirements on the nation which is first allowed to complete a new propulsion system. Subsequent chapters from this part of the monograph try to identify some of these requirements (especially chapter E). It appears that the laws of the universe prevent unsound nations from overtaking others in the race for the most powerful propelling device.

B2. The basics of propulsion

The name "propulsion" is given to a device which is able to produce the motion whose parameters, form, and timing have been previously defined. Therefore the characteristic attribute of all propulsion systems is that every aspect of the motion produced by them is controllable or is maintained on a constant and predictable level. Examples of propulsion are: the electric motor, the wheel of a car, and helicopter blades.

There are two main types of propulsion that are currently in use. The first of these is called here a "motor", whereas the second is called a "propulsor". The motor is a type of propulsion which produces a relative movement of one of its parts in relation to another of its parts. An example of a motor is an internal combustion engine in which the movement of

a piston occurs in relation to its cylinder, or an electric motor which causes the turning of its rotor relative to its housing.

When a motor is joined with elements from another machine, it causes a movement of the combined parts, but it is still a relative movement. For example, a motor in a car forces a rotation of the wheels relative to the body, a motor in a ventilator causes a rotation of the airscrew relative to the base, and a motor in a washing machine causes the rotation of the drum relative to the housing. Motors by themselves never create motion of objects relative to their surroundings, although they can supply the mechanical energy necessary for this movement. For example, the movement of a car relative to the ground is caused by the wheels, not by the motor, and we still have this if the motor is replaced with pedals.

We will call the second device which produces motion of complete objects relative to their surrounding a "propulsor". Propulsors are completely different from motors because they produce an absolute movement, such as the floating of a boat, the flying of an aeroplane, or the thrust of a rocket. Examples of propulsors are the wheels of a car, caterpillar wheels of a tank, a boat propeller, a hovercraft's outlets, helicopter blades, etc.

It should be noted here that propulsors are always able to operate in the natural environment for which they are created. If, for the operation of a particular propelling device, any man-made rail, bar, duct, channel or transmission pipe is necessary, this device represents the linear motor only (not a propulsor) in which one stationary part is lengthened to the required distance. For example railways represent linear motors, not propulsors. This can be realized when we look at Blenkinsop's engine (see Figure E1) which for propulsion utilized a cog wheel that slotted into teeth on a track.

In every propulsion system three different elements must be present. These are: (1) a working medium, (2) an energy transferor and (3) a working space.

The working medium is an agent applied in a particular propulsion, whose function is to absorb one kind of energy and then to return this energy in the form of a force interaction creating the motion. Examples of working mediums are: the force of mechanical elasticity (in a bow), running water (in a water wheel), or a magnetic field (in an electric motor).

The energy transferor is a space or a device within the propulsion system where the working medium is produced and where it absorbs the energy that is later released for the creation of a type of motion. Examples of energy transferors are: the boiler in a steam engine, or coils of electromagnets within an electric motor.

The working space is a space or a device in a propulsion system, where the actual creation of motion occurs. In this space the energy contained within the working medium is transformed into the work of providing the motion for a propelled object. Examples of working spaces are: the space between the cylinder and the piston in a steam engine, the outlet in a space rocket, or a gap between the rotor and the stator in an electric motor.

B2.1. The working medium

From the analysis of the propulsion systems completed so far, it becomes evident that only three types of circulating agents can provide usable working mediums. These are: (1) a circulation of forces, (2) a circulation of matter (masses), and (3) a circulation of magnetic field force lines. Thus, all the known working mediums can be classified into one of three general types (see the first column in Table B1), depending on which of the above agents the particular medium represents. Because during the development of our civilization the consecutive types of working medium were discovered and utilized in sequence, we may talk about three eras in our history when a particular general type of medium was dominant. And so in ancient and medieval times the era of media based on the circulation of forces prevailed (e.g. wheel and axle, flywheel, spring). Since the invention of the steam engine (1769) until now, the era of media based on the circulation of matter has been prevalent (e.g. those used in a windmill, watermill, airscrew, boat propeller, jet propulsion). At present we are approaching the third era, where the circulation of magnetic field force lines will be employed. Up to now we have completed only the first and the most

primitive device, the electric motor, which utilizes the circulation of magnetic field force lines. But soon a number of more advanced propulsion systems of this kind will become operational.

For every type of working medium three different generations of propulsion systems are completed (see Table B1). In each subsequent generation further attributes of the working medium are utilized as energy carriers. The first generation always uses force interactions only (e.g. pushing, pulling, pressure, suction, repulsion, attraction) created by the working medium. The second generation, in addition to these force interactions, also employs inertia-related actions. The third generation of propulsion systems utilizing a particular general type of working medium makes use of force interactions, inertia-related actions, and in addition the impact of internal energy (e.g. elasticity, heat).

B2.2. The primary requirement for building a controllable propulsion system

One of the primary principles of physics, called the "Conservation of Momentum Principle", states that when a system of masses is subjected only to internal forces which the masses of the system exert on one another, the total vector momentum of the system is constant. The consequence of applying this Principle to propulsion systems is that the working medium must always be forced to circulate along closed circuits which also pass through the environment (in propulsors) or through the part (in motors) in relation to which the motion should be created. The above condition represents the primary "requirement to circulate a working medium through the environment to achieve the controllability of a propulsion system". This requirement is met in all commercially useful propulsion systems completed by man to-date, even if sometimes it takes an indirect form (e.g. in space rockets, where the propellant is taken first from the environment and placed in the rockets' tanks, and then during flight it is rejected {circulated} back into the environment).

Sometimes the designer of a propelling device ignores the requirement to circulate a working medium through the environment. In effect the motion produced is uncontrollable and therefore can not be utilized to provide useful work. The device producing such uncontrolled motion will be called here a semi-propulsion system (i.e. semi-motor or semi-propulsor). Semi-propulsion can easily be transformed into propulsion, if the appropriate circulation of a working medium is organized. An example of the semi-propulsor so modified is a parachute which, after circulating its working medium (air), takes the form of a hang-glider. The other semi-propulsor still waiting modification is a balloon. If a controllable jet outlet is placed on a side surface of a balloon propelled by hot air, then this very old flying device can also move horizontally in the desired direction and with the speed required. Such a minor modification may transform hot-air balloons into the most simple, inexpensive, pleasant, and at the same time effective means of transportation. The transformation of semi-propulsion into propulsion does not usually require any major change in construction, principles, and the working medium used. Therefore in the light of the Periodic Principle, we will assume that a particular propulsion is completed, independently of whether its final or semi-final form has been obtained.

B3. The content of the Periodic Principle

The content of the Periodic Principle can be expressed in a short and a long version. The short version of the Periodic Principle states that:

"Each motor must have a corresponding propulsor".

The long version states that:

"All known forms of propulsion are invented in pairs. Each such pair consists of a motor and a corresponding propulsor. Both, the motor and the propulsor, utilize exactly the same working medium and operate in a very similar manner. For each level of utilization of a particular working medium two subsequent motor-propulsor pairs are built. These two

pairs form a single generation of a particular propulsion system. Each such generation completes a subsequent cycle of development of this propulsion system."

The appearance on Earth of a new generation of the propulsion systems is preceded by the invention of a motor, then a propulsor is built (by a different inventor) no later than 200 years after the completion of the motor's technology. Both - the motor and the propulsor - utilize the same working medium, are based on the same physical phenomena, and demonstrate a close analogy in construction and principles of operation. To realize how striking the similarities between both propelling devices of each pair are, let us consider, as an example, the internal combustion engine (which is a motor of the second pair in the third generation of mass circulating propulsion systems - see Table B1) and the space rocket (which is a propulsor from the same pair). If one removes a piston from the cylinder of an internal combustion engine, he/she obtains an outlet from the space rocket jet. The fuel supply, the process of combustion, and the phenomena involved in the creation of motion remain unchanged for both the above propelling devices. The other examples of similarly corresponding pairs are: the windmill and the sailing boat, aneroid (formerly used to operate clocks) and balloon, pneumatic motor and hovercraft, etc. - compare two consecutive columns from Table B1.

The action of the Periodic Principle for the propulsion systems is illustrated by the Periodic Table B1. Each row from this Table presents four subsequent propelling devices constituting one complete cycle of propulsion development. Because all four propelling devices invented during the same cycle of development form a separate generation of propulsion systems, each row in Table B1 also represents a different generation of these devices. Within each generation, two subsequent pairs of a motor and a corresponding propulsor are distinguished. Each of these pairs occupies a separate column in which two additional sub-columns are distinguished for each single propelling device. At the bottom part of each column and sub-column the descriptions of the devices presented therein are provided. On the left side of each row the characteristic attributes of the generation of propulsion systems presented in this row are specified. These attributes describe: (a) the general type of working medium applied by this generation (i.e. the mediums based on a circulation of (1) force, (2) matter (mass), or (3) magnetic field force lines), (b) the subsequent number of this generation within the type of working medium under consideration (i.e. 1, 2, or 3), and (c) the energy carriers exploited by this generation of propulsion systems (e.g. (1) pressure, (2) inertia and pressure, or (3) internal energy, inertia, and pressure). Note that Table B1 also shows the general direction in which the subsequent working media develop, as well as the direction of the development of individual propelling devices built for any one of these media.

We have learned that particular principles of operation can be applied to a number of different technical versions of the same propelling device. For example the internal combustion engine can be built as: a Diesel engine or a petrol engine, a two-stroke or four-stroke engine, a piston engine or a turbo-engine. If we analyze each of these versions we will find that all of them employ exactly the same properties of the working medium and utilize exactly the same set of phenomena. The only differences appear in the technical implementation of the device that releases these phenomena. Therefore from the point of view of the Periodic Principle all such versions represent the same propulsion which, however, is built in different technical implementations. No matter how many of these different implementations of a particular propulsion are completed, they still belong to the same stage of our development and are not able to lift our civilization to a higher level. In order to progress and advance we must complete different propulsion systems, not different technical versions of the same propulsion (e.g. the Magnocraft instead of magnetic railways which represent only a linear version of the electric motor). Notice that Table B1 always lists the first or the most representative technical version of every different propulsion system, no matter how many versions of this propulsion were completed. For example, the sail in Table B1 shown as the first propulsor employing the pressure of the circulating stream of mass (air), is the only one of many possible propulsion systems operating on this principle.

The other propulsors utilizing the same principle are: an aeroplane wing, a parachute, and a hang-glider.

Table B1 illustrates also the difference between the first and second pairs in each cycle (generation) of propulsion systems. The essence of this difference is that the first pair uses a special device (energy transferor) to produce a working medium (e.g. a steam generator in a steam engine, or a combustion chamber in a jet propulsor) physically separated from the working space where the motion is created, whereas the second pair of propulsion produces a working medium inside the working space (e.g. combustion gases in a cylinder of the internal combustion engine, or the outlet of a space rocket).

The analysis of Table B1 reveals that each next generation of propulsion systems repeats the technology already utilized in the lower generation built for the same type of working medium, but this technology achieves a higher level of efficiency and employs more advanced energy carriers. In this way, the development of propulsion systems takes the shape of an ascending helix (spiral), where each coil symmetrically repeats the general pattern of a previous invention, but on a higher level of efficiency. This helix carries on from one propulsion to another a number of key attributes. Therefore the characteristics of propulsions systems discovered so far define very strictly the details of the propelling devices to be completed in the future. The key information about future propulsion systems, which the Periodic Principle reveals, is: (1) the working medium utilized in a subsequent propulsion, (2) the employed attributes of this working medium (e.g. energy carrier {force, inertia, or internal energy} and the kinds of phenomena involved), (3) the principles of operation of a new device, (4) the general design and the similarities to the other propulsion systems already completed, (5) the approximate date when our civilization will attain the level required for the completion of this device.

Knowing all the above, the synthesizing of the final shape of a new propulsion system is just a matter of ordinary design routine and development procedures.

B4. The first generation of the magnetic propulsion systems

Having knowledge of the Periodic Principle, we can state that if there exists a "single" motor of the first kind, a propulsor that will form a pair with this motor must also be completed in the near future. Moreover, two further propulsion devices, which complete a full generation of this motor, will soon be developed.

We are all aware of such a "single" motor: it is the common electric motor invented by Jacobie around 1836. In this motor the motion is created because of repulsive and attractive interactions between magnetic fields. The name "electric" (instead of "magnetic") for this motor is derived from the flow of an electric current through the motor's coils which produces magnetic fields. Because Jacobie built the first such motor around 1836, the Periodic Principle predicts that no later than the year 2036 humanity will create the Magnocraft, i.e. a spacecraft that will utilize the same magnetic interactions for flying in space. Moreover, as the first cycle of the magnetic field application is just beginning, a motor of the second kind, which can be called the "pulsatory motor", may be built about the year 2040. Around 2140 the pulsatory motor may be followed by the creation of a most powerful vehicle to operate on the principle of physical dislocation of objects in space, which is called here the "star-shaped space ship" from its similarity to an eight-pointed star – see Figure B3.

The first generation of propulsion systems utilizing magnetic interactions (i.e. electric motor, Magnocraft, pulsatory motor, and star-shaped space ship) will close the present era of human development during which our means of transportation has operated on the principle of the physical dislocation of objects in space. Beyond this era there are only propulsion systems operating on other principles, i.e. teleportation and time travel. It seems to be a repetitive pattern that every first generation should bring about the close of some longer period in our development. Also the first generation of mass circulating propulsion

systems (i.e. windmill, sail, aneroid and balloon) closed the period when sources of energy provided in a ready form by untamed nature were utilized for the purpose of propulsion.

The Periodic Principle also explains the operation of these future propulsion devices, and as a result, their construction. This is because all necessary information is contained in the symmetry and analogies reflected by the Periodic Table B1. For example, the operation of the Magnocraft is an analogy for the operation of a multi-phased asynchronous electric motor from one side, and the sail, hovercraft and jet propulsor from the other. Thus, when the operation and the construction is known, we may initiate research more promptly in the right direction and expedite the completion of the propulsion systems indicated. Consequently, the utilization of the clues provided by the Periodic Principle may cause the acceleration of our progress.

B4.1. The Magnocraft

The Magnocraft is a much more advanced space vehicle than the present space shuttles. Thus a complete description of its construction and operation requires lengthy elaboration and is contained in chapter G. However, for consistency of presentation, some of its characteristics are summarized below.

B4.1.1. The general design and components of the Magnocraft

The general design of the Magnocraft is presented in Figure B1. The shape of this vehicle resembles an inverted saucer. Its propulsion system is composed of the devices called "Oscillatory Chambers", which take the shape of transparent cubical boxes contained inside spherical casings. Each chamber is simply a super powerful source of a pulsating magnetic field. For the purposes of better controllability, the Magnocraft uses special arrangements of Oscillatory Chambers, called "twin-chamber capsules" (described in subsection F6.1). The output of such capsules is capable of lifting a spaceship attached to it, because of the repulsive interaction with the magnetic field of the Earth, Sun or galaxy. A single twin-chamber capsule used for propelling the Magnocraft, together with its spherical casing and control devices, is called a "propulsor".

The Magnocraft consists of two kinds of propulsors: main (M) and side (U). The single main propulsor (M) is suspended in the centre of the vehicle. The magnetic poles of this propulsor are oriented so as to repel the environmental magnetic field (which could be the field of the Earth, a planet, the Sun or a galaxy). By this means, (M) produces a lifting force (R) which supports the craft. The magnetic axis of (M) is usually kept tangential to the force lines of the environmental magnetic field existing in the craft's area of operation. Therefore the most effective orientation of the Magnocraft during flight is while its base is perpendicular to the local direction of the Earth's magnetic field. Sometimes, however, this orientation must be slightly altered to enable it to manoeuvre and land.

The Magnocraft also consists of numerous side propulsors (U). Their magnetic poles are oriented so as to attract the environmental field. Therefore side propulsors produce attraction forces (A) which stabilize the craft and fix its orientation in space. To increase the vehicle's stability, the side propulsors are located below the main propulsor, together forming a kind of bell configuration which in physics is known for its greatest stability. All the side propulsors are located at regular intervals in the horizontal flange surrounding the spacecraft and covered with material penetrable by a magnetic field.

The number "n" of side propulsors in the Magnocraft characterizes a particular type of this spacecraft. This number "n" depends on the design factor marked as "K" and called "Krotność", and is expressed by the equation:

$$n=4 \cdot (K-1) \quad (B1)$$

The word "Krotność" in the Polish language means: ratio of the vehicle's diameter "D" to its height "H" (base to top), i.e.:

$$K=D/H(B2)$$

This is because the value of "K" shows how many times the Magnocraft's height is aliquot in the outer diameter of this vehicle. The "K" factor may take any integer value in a range from $K=3$ to $K=10$. Because of the value that this factor has, the consecutive types of the Magnocraft are called K3 (i.e. having the K factor equal to $K=3$ - and resulting from this the number of side propulsors $n=8$), K4 (i.e. $K=4$ and $n=12$), ..., to K10 (i.e. $K=10$ and $n=36$). The "K" factor is extremely important for the design of the Magnocraft. It determines all the design parameters of this vehicle, including its shape and dimensions. These parameters are described by the set of equations which express the relationship between this "K" factor and some important dimensions of the Magnocraft, such as: D - outer diameter of the vehicle (i.e. the maximal diameter of its flange), d - nominal diameter of the circle on which the centers of the side propulsors are located (note that this "d" diameter also describes the mean dimension of the ring of scorched marks left on the ground by a landed Magnocraft), H - height, DM - outer diameter of the spherical casing of the main propulsor, and L - width of the flange containing side propulsors. The most important of these equations are as follows: $D=0.5486 \cdot 2K$, $d=D/2$, $H=D/K$, $DM=H(2-2)$, $L=0.5(D-d)=0.25 \cdot K \cdot DM$. The deductions of the above equations are contained in subsection G4 of this monograph. Because the "K" factor can easily be determined from the Magnocraft's outline or photographs, it provides an extremely important identification parameter which enables anyone to quickly establish many details about a vehicle being observed.

The crew cabin (1) is located between the main (M) and side (U) propulsors, and is in the shape of a parallel-piped ring. This cabin looks similar to the side walls of an inverted saucer and is covered by a material which is impenetrable by the magnetic flux. Along the interior (slanted) wall of the crew cabin lie the telescopic legs (2) of the craft, which are extended at the moment of landing.

B4.1.2. Flight control

Manoeuvring the Magnocraft is achieved as a result of a combination of the three following actions:

1. The change in the relation between the output from the propulsors which produce attracting (A) and repelling (R) forces; this causes the ascent, hovering and descent of the craft.

2. The slant at an angle (I) of the magnetic axes of the vehicle's propulsors from their parallel orientation towards the local course of the force lines of the environmental magnetic field. This produces the meridian component of the thrust force, causing the horizontal flight of the Magnocraft from south to north or north to south. Above the equator, where the field's force lines are parallel to the ground, such a component is produced when the magnetic axes of the vehicle's propulsors are slanted from a horizontal orientation - see Figure B2.

3. The production of a magnetic whirl spinning around the Magnocraft and the control of the direction and power of the whirl. This whirl (in a principle similar to the rotation of a cylinder in the "Magnus Effect" already known in hydromechanics), produces a horizontal thrust force perpendicular to the force lines of the Earth's magnetic field. If this magnetic whirl rotates in such a way that the landing Magnocraft causes a counter-clockwise flattening of plants in the Southern hemisphere (or clockwise in the Northern hemisphere), the longitudinal component of the thrust force created will propel the craft in a direction from west-to-east. The whirl rotating in an opposite direction will propel the craft from east-to-west. The magnetic whirl is produced by the 90 degree phase shifts in the pulsation of a magnetic field produced by the subsequent side propulsors.

The propulsion of the Magnocraft, which combines together the three magnetic actions listed above, causes the flight of this vehicle to have a magnetic character that drastically differs from aerodynamic (smooth) flights of aeroplanes and the inertial thrusts of rockets. Apart from silent flights and enormous speeds (around 70,000 km/h in the atmosphere and near the speed of light in free space), the following attributes characterize

the magnetic movements of the Magnocraft: (a) always having the same orientation of the vehicle, independently of the direction in which it flies (i.e. its base is always kept almost perpendicular to the local course of the Earth's magnetic field force lines), (b) flying mainly along straight lines that in many cases correspond to the force lines of the Earth's magnetic field, or to the Earth's magnetic meridians (flights in east-west or west-east directions require the switching on of the magnetic whirl, which frequently is undesirable), (c) motionless hovering terminated by a rapid acceleration along one of the above straight lines, (d) sharp turns at 90 degrees (without benefit of a radius), (e) zigzag or jerky motion, (f) rotation around the vehicle's central axis while hovering motionless.

From the above explanation it is evident that all flight control activities can be achieved without the relative mechanical movement of any part of the Magnocraft, but only by slanting the whole spacecraft and controlling the outputs from its propulsors. Therefore, miniature, computer-operated versions of this vehicle will be built which do not contain even a single moving part. This craft will be the only example of a precisely controlled vehicle which does not consist of any moving part. In the big, man-operated versions, for the convenience of the crew, it will be better to replace the slanting of the Magnocraft by tilting the axes of its propulsors (especially when it lands). In such versions, the propulsors will consist of the rotatable twin-chamber capsules placed inside the spherical casings, as was described previously. Sometimes, especially in the smaller types K3 and K4 of the man-operated Magnocraft, to save space a compromise solution is possible. In this solution the side propulsors are fixed and consist only of the twin-chamber capsules directly joined to the structure of the craft, whereas the main propulsor is rotatable (i.e. its twin-chamber capsule is built inside of a spherical casing and may revolve in relation to this casing).

B4.1.3. The specifications of the Magnocraft

The unlimited prospects that the building of the Magnocraft will create for humanity can be realized from the following review of the properties of this vehicle.

The spinning magnetic field of the Magnocraft will cause a cumulative ionization of air, and the creation of a glowing plasma whirl surrounding this spacecraft. The centrifugal forces acting on each particle of air in this whirl will reject the air out of the surface of the vehicle, forming a kind of local vacuum bubble which will cause the craft to fly without friction. This will allow the Magnocraft to reach a speed of about 70,000 km per hour in the atmosphere, plus flights close to the speed of light in free space. The vacuum bubble surrounding the craft will also protect it from heat action during flights in melted media and blazing gases. The silent character of magnetic interactions in connection with the elimination of frontal pressure by the plasma whirl will make the Magnocraft noiseless in flight. The plasma whirl will also form a kind of circular saw of enormous power, which will enable the vehicle to penetrate through solid matter (e.g. rock, buildings, bunkers) creating glossy tunnels. The centrifugal action of the plasma whirl, supported by the forces of magnetic interactions between the craft's propulsors, forming a kind of magnetic framework, will provide the Magnocraft with the ability to withstand any high environmental pressure. This invisible framework will enable the vehicle to penetrate safely any depth, flying not only to the bottom of oceanic trenches, but also to the center of the Earth, and perhaps even to the nuclei of stars. The spinning magnetic field will induce electric currents in the conductive materials in the vicinity, changing them into explosives. This will form around the Magnocraft a kind of inductive shield, providing it with the ability to oppose any weapon that our present military techniques may use against it.

When, on a command from the crew, the spinning magnetic field is changed into a steady, constant one, all the above properties will disappear. However, in this case different kinds of properties will be revealed. For example, according to the theory of general relativity, energy is equivalent to mass. Therefore an enormous condensation of energy in a small space surrounding the spacecraft will release the same effects as the local increase

of density of mass, i.e. it will alter the optical properties of this space, forming a kind of magnetic lens. This in turn will make the Magnocraft invisible to radar and to the naked eye.

The forces of magnetic interactions propelling the Magnocraft will also enable a number of such vehicles to be coupled together into modular arrangements. In this way, not only spherical and cigar-shaped complexes, but also entire flying cities can be formed for the duration of long distance trips.

During any kind of flight, the operation of this vehicle will be pollution-free.

B4.2. The second motor-propulsor pair in the first generation of magnetic propulsion systems

The Magnocraft provides a partner (propulsor) for the electric motor. Both together form the first pair of the magnetic propulsion systems. But the Periodic Principle states that when this pair is completed, our civilization may begin the development of the second pair of propulsion devices belonging to the same first generation of magnetic propulsion systems. This second pair, if ever completed, would consist of a pulsatory motor and a star-shaped space ship (shown in Figure B3).

The author worked out the operation of these two magnetic propulsion systems and published it in his earlier monographs. Therefore those readers who are interested in learning more about the pulsatory motor and the star-shaped space ship may contact him for details. But because the operation of these devices differs considerably from the operation of the Magnocraft, and also because their discussion does not support the main topic of this monograph, he decided to eliminate their descriptions from this publication.

The additional reason why the author decided to omit the description of the pulsatory motor and the star-shaped space ship is that these two magnetic propulsion systems may not be built on Earth at all. Table B1 reveals that some mass-circulating propulsion systems of the second generation were built before the entire cycle of development of the first generation was completed. So the appearance of these higher-level propulsion systems could canceled a demand for the second motor-propulsor pair from the first generation. If the same pattern is repeated also for magnetic propulsion systems then the first commercial motors of the second generation can even be operational before the Magnocraft. Practically, this means that the development of a pulsatory motor and star-shaped space ship may coincide in time with the development of much more advanced devices belonging to the first pair in the second generation of magnetic propulsion systems, i.e. with a telekinetic motor and a Teleportation Vehicle - see Table B1 and descriptions from subsection B6. These propulsion systems of the second generation, whose operation is based on the technologically induced telekinesis, are more advanced in every aspect than those based solely on magnetic interactions. Therefore they may completely eliminate the need for a pulsatory motor and a star-shaped space ship, as they will provide earlier a better way of achieving similar effects. It may therefore happen that our civilization will never attempt the development of devices belonging to the second motor-propulsor pair in the first generation of magnetic propulsion systems - although, theoretically, building these devices is possible.

B5. Three successive generations of magnetic propulsion systems

Subsection B2.1 has shown that for each general type of working medium as many as three successive generations of propulsion systems will eventually be completed. The electric motor, Magnocraft, pulsatory motor, and star-shaped space ship, all represent only the first and the most primitive generation of the propulsion systems based on the circulation of magnetic field force lines - refer to Table B1. The only magnetic field attribute employed by this generation as an energy carrier is the force of magnetic repulsion or attraction. But the Periodic Principle shows that after completion of this first generation, the

second and third generations of the magnetic propulsion systems must appear. Each one of these generations will allow the completion of as many as four separate propelling devices belonging to two motor-propulsor pairs as illustrated in Table B1. The operation of all these advanced devices will utilize not only magnetic attraction and repulsion forces, but also such sophisticated magnetic phenomena as technologically induced telekinetic motion (which is triggered by the magnetic equivalent of mechanical inertia - see explanation in subsection D6) and the alteration of time (time is a magnetic equivalent [or a mirror reflection] of internal energy of material systems - see subsection D3). To put the above into terminology used in this monograph: the second and third generations of magnetic propulsion systems will be capable of operating in, respectively, telekinetic (teleportative) and time travel conventions. The subsections that follow explain the major attributes of all these advanced magnetic propulsion systems.

B5.1. How the "omnibus trend" should culminate in three conventions of the Magnocraft's operation

In plain English the word "convention" means "unambiguously defined behaviour". In this monograph the same term will be used to describe the strictly defined behaviour of an advanced flying vehicle. Thus, by the "convention of operation of a vehicle" will be understood a name assigned to the basic principle employed in a particular spacecraft to cause its own motion. This name is usually derived from the most advanced energy carrier that is utilized in the working medium of this vehicle (see the third column in Table B1). In the case of the Magnocraft, depending on which generation this vehicle belongs, three conventions of its operation can be distinguished, i.e. magnetic, teleportative, and time travel.

To explain more precisely the interpretation of "convention of a vehicle's operation", a hypothetical flying aircraft called an "omnibus" will be discussed. The omnibus has the shape of an open-ended barrel or tube. It incorporates in one vehicle the capabilities of as many as three different generations of propulsors operating on the principle of circulation of mass (matter), i.e. a glider, a hovercraft and a jet propulsor. When the omnibus flies at high altitudes and extinguishes its fuel combustion, it glides through the air, thus functioning as the first generation of propulsors belonging to the mass circulating propulsion systems. In Table B1 these propulsors are represented by a sail (see also the descriptions from subsection B3). When the omnibus directs the stream of its exhaust gases downward, it operates like a hovercraft, flying horizontally just above the ground. During such an operation it represents the second generation of the mass circulating propulsors. The omnibus may also operate as a jet propulsor, thrusting its way up into the air. In such an operation it represents the third generation of the propulsors based on the circulation of mass.

The above explanations show that in order to describe how an omnibus operates in a particular instant of time, the use of the term "convention" is necessary. Thus, we may state that the omnibus operates either in a glider convention, in a hovercraft convention, or in a jet convention. In each one of these, the single omnibus behaves the same as aircraft belonging to an entirely different generation of mass circulating propulsion systems. By naming the convention in which it operates we are able to clarify all possible ambiguity concerning its behaviour and properties.

The experience accumulated so far indicates that all three successive generations of the mass circulating propulsors complement one another. Thus, the contemporary propulsors of the third generation, such as jet or rocket, not only are unable to replace or substitute the propulsors of the first or second generation, such as a glider or hovercraft, but also they introduce a growing need for simultaneous application of these simple propulsors. An example of such a need can be the first space shuttle "Columbia" which had to operate both as a rocket and as a glider. On the other hand, our increasing knowledge of the propulsion systems provides technological capabilities for building omnibuses.

Therefore it gradually becomes evident that as our development progresses, our ability to build omnibuses increases. An example of this "omnibus trend" can be contemporary military aircraft, which already are required to display the capabilities of jet aeroplanes, as well as the ability to take-off vertically (i.e. for operation as a hovercraft) and also for gliding.

To summarize the above, in highly developed civilizations the "omnibus trend" should become so dominant that the development of higher generations of flying vehicles will be achieved through adding further conventions to the existing vehicles of lower generations utilizing the same working medium.

As is shown in the Periodic Principle, there exists a striking symmetry in the development of propelling devices that utilize three general types of working media. Therefore the regularities observed during the development of mass circulating aircraft must also be in operation for the flying vehicles based on the circulation of magnetic fields. To put this another way, the omnibus trend described above impacts to the same extent on the development of contemporary aircraft as the development of future Magnocraft.

The omnibus trend will have a direct impact on our civilization when the second and third generations of magnetic spacecraft eventuate. These two advanced vehicles will not be built as entirely new and different spacecraft, but rather as improved versions of the ordinary Magnocraft. Their shape, internal design and one of the conventions of their operation (i.e. magnetic convention) will be identical to those of the Magnocraft,. The only difference these advanced vehicles will display in comparison to the Magnocraft, is that independently of the magnetic convention they will also be capable of using, when required, the teleportative (vehicles of the second generation) or teleportative and time travel (vehicles of the third generation) conventions. To emphasize that both these advanced magnetic vehicles evolved from the ordinary Magnocraft, they will also be called here the Magnocraft of the second generation (i.e. able to operate in the magnetic and teleportative conventions) and the Magnocraft of the third generation (i.e. able to operate in the magnetic, teleportative, and time travel conventions). In contrast to this, the ordinary Magnocraft, which can only operate in the magnetic convention, will be called here the Magnocraft of the first generation, or simply the "Magnocraft". It should be stressed that each of these vehicles can operate only in one convention at a time. For example, when the Magnocraft of the second generation flies in the magnetic convention its teleportative capabilities must be switched off, but when it turns on its teleportative operation it must simultaneously extinguish its forces of magnetic attraction and repulsion.

B6. Second generation of magnetic propulsion systems operating in the telekinetic (teleportative) convention

Telekinetic motion can be produced not only by the human brain, but also by a technical device. In order to distinguish between telekinetic motion originating from the brain and that originating from a device, in this monograph two different terms are used to describe it. When the motion originates from the human brain, it is called "psychokinesis", whereas when it is technologically induced by a device it is called "telekinesis". But for both above origins, the principles of this phenomenon remain the same and they have been explained in subsection D6. There are two kinds of motion that technological version of telekinesis can produce, i.e. a relative and an absolute (see subsection B2). All technical devices that utilize technological telekinesis to produce a relative motion are called here "telekinetic power-stations", but all such devices producing an absolute motion are called "teleportative propulsors". The name teleportative propulsors originates from the term "teleportation", which in this monograph means a version of technologically induced telekinesis that causes an absolute motion of entire objects in space (thus "teleportation" is a technological telekinesis but used solely for transportation purposes). A flying vehicle which utilizes teleportative propulsors is called here the "Teleportation Vehicle".

B6.1. Phenomenon utilized in the second generation of magnetic propulsion systems

As is also mentioned in subsection D1, in 1924 the great French physicist, Louis DeBroglie, published his important discovery which is sometimes called the "Principle of the Symmetry of Nature". According to this principle, in our universe everything is strikingly symmetrical in many ways. DeBroglie's principle provided philosophical and scientific foundations for a number of important discoveries and devices, including the Periodic Principle described in this chapter. For example: the periodic table of the elements (or Mendeléev Table), the existence of a mirror duplicate for each elementary particle, and the similarities between atoms and solar systems - all these document the symmetry existing in the structure of matter; the similarities between equations that describe different physical phenomena (e.g. flow of fluids and heat transfer) express symmetry in the laws of nature; whereas the technological correspondence between e.g. pumps and hydraulic motors reflects the symmetry in the operation of technical devices.

One of the vital implications of the DeBroglie's symmetry, which has a direct bearing on the content of this monograph, is the postulate that "every phenomenon must have a corresponding counter-phenomenon". So far a large number of phenomena and corresponding counter-phenomena have been discovered which confirm the correctness of this postulate. For example, the existence of electrical luminescence utilized in electric bulbs to transform electricity into light has a counter-phenomenon in the form of the photoelectric effect that transforms light into electricity. The so-called left-hand rule, also called the motor effect, which describes phenomena used for the transformation of electricity into motion, has its counter-rule in the form of Fleming's right-hand rule, also called the generator effect, which works in reverse, i.e. transforms motion into electricity. The Seebeck Effect, which produces a flow of electrons through a junction of two dissimilar conductors being heated, has its counter-phenomenon in the form of the Peltier Effect, which causes the heating and cooling of materials in a similar junction when a current is flowed through it.

However, contemporary physicists claim that there is an exception to this principle. This exception is friction. Friction is considered to be the irreversible phenomenon which has no counter-phenomenon. But in 1985 the author of this monograph discovered the phenomenon which represents a reversal of friction. In the same way as friction spontaneously converts mechanical motion into heat, this phenomenon spontaneously converts heat into motion. Because in its natural form this phenomenon is manifested during telekinetic motion (i.e. during "psychokinesis" induced by the human brain), it is named the "Telekinetic Effect". Not long after the Telekinetic Effect was discovered, the author also found technological ways of releasing it (through an acceleration or deceleration of magnetic field force lines).

The author's discovery of the Telekinetic Effect, and subsequent discovery of the technological ways of activating this effect, opened the way for building telekinetic power-stations and Teleportation Vehicles.

B6.1.1. Action of the Telekinetic Effect explained by the Concept of Dipolar Gravity

The principles of telekinetic motion and the action of the Telekinetic Effect are described by a separate theory called the "Concept of Dipolar Gravity". The detailed description of this Concept is contained in chapter D of this monograph and also in a publication by the author, entitled "Gravitation als Dipolare Felder" (Raum & Zeit {West Germany}, No. 34, Juni/Juli 1988, pages 57-69). But for consistency of presentation, those details of Dipolar Gravity which are significant for the understanding of deductions from this chapter will be summarized here.

The Concept of Dipolar Gravity describes the nature of a gravitational field in an opposite (alternative) way from that described by present science. The present interpretation of gravity assumes that the gravitational field displays all characteristics of a

monopolar field. In this way the attributes of gravity are treated as resembling those of electrical fields, pressure fields, etc. Because of this assumption, the present understanding of gravity can be called the "concept of monopolar gravity". However, the author's analysis proved that the nature of a gravitational field is totally different from that described by the concept of monopolar gravity. Gravity was found to correspond to all dipolar fields, such as magnetic fields, or fields formed by circulating streams of fluids. The implications of this are accommodated by the Concept of Dipolar Gravity.

Numerous areas of present knowledge (e.g. astronomy, chemistry, geography) remain unaffected by the introduction of the Concept of Dipolar Gravity. The differences between the old and the new concepts concentrate mainly around the mutual relationship between matter and antimatter/counter-matter (to distinguish by name the opposite of matter in both concepts, it is called here "antimatter" in the concept of monopolar gravity, and "counter-matter" in the Concept of Dipolar Gravity). In the old concept of monopolar gravity, matter and antimatter existed in the same set of dimensions (or world), similar to the way positive and negative electric charges co-exist in the same space. This concept also claims that matter and antimatter should repel each other, thus allowing for the building of antigravity vehicles (see chapter C). But because this repulsion must lead to the separation of matter from antimatter, and to their dislocation into opposite ends of the universe, this old concept makes it impossible to experimentally prove the existence of antimatter and antigravity. In the new Concept of Dipolar Gravity, matter and counter-matter co-exist like both poles of a magnet: surrounded by spaces with opposite properties, and mutually linked by the gravitational field force lines. But because of the concentric nature of a gravitational field, in our set of dimensions only one gravitational pole prevails (i.e. gravity). The other, opposite pole of gravity (which here is called "counter-gravity", to distinguish it from the old idea of antigravity) disappears from our world and emerges in a parallel set of dimensions which is separate from ours (i.e. in a parallel counter-world, also called the world of software or the world of reverse images). The matter existing in our world and the counter-matter existing in this parallel counter-world are mutually linked by forces of gravitational interactions (gravitational dipoles) - in the same way as the poles of a magnet are linked with the force lines of a magnetic field.

These deductions show that the primary consequence of Dipolar Gravity is the joining of the corresponding particles of matter and counter-matter into twin pairs. In turn, the existence of these twin pairs provides the mechanism that explains telekinetic motion. Let us now discuss the principles involved in the creation of such a motion.

One of the consequences of the joining of each particle of matter with a twin particle of counter-matter is that all material objects existing in our set of dimensions (world) must have their counter-material duplicate existing in a parallel set of dimensions (counter-world). The mutual relationship between each material object and its counter-material duplicate is an analogy of an image and its mirror reflection (or computer hardware and software). Similarly like an image and its mirror reflection, both parts of an object are exact copies of their opposite duplicate, and also exactly imitate each other's movements. Moreover, both - the material object and its counter-material duplicate - can also be independently taken hold of and dislocated in space. But because of the gravitational links between them, independent of which part is grasped and dislocated first, the second part must imitate exactly its motion. For this reason, depending on which part of an object is grasped first and so first dislocated in space, the Concept of Dipolar Gravity distinguishes between two different types of motion, i.e. the "physical motion" and the "telekinetic motion". The physical motion occurs when the material part of an object is moved first, whereas the counter-material duplicate is pulled behind it by the forces of the gravitational links. But the telekinetic motion occurs when the counter-material duplicate is moved first, whereas the material part of this object is pulled behind the duplicate by the force of their mutual gravitational links. To illustrate this with an example, the Concept of Dipolar Gravity shows that telekinetic motion is like forcing an object to move by shifting its reflection in a mirror, so that this re-located reflection causes the object to move also. Of course in order for this example to work in reality, light would need to behave like gravity forces.

The above explanation for telekinetic motion also defines the origin of the Telekinetic Effect and the mechanism which causes it. Thus, the definition of this Effect is as follows. "The Telekinetic Effect is a phenomenon of altering the position of the material part of an object, achieved through the acting on the counter-material duplicate of this object." This definition explains that the Telekinetic Effect is the source of telekinetic motion in a similar way as the physical force is a source of physical motion. But there is a whole range of differences between the physical force and the Telekinetic Effect. The most important of these differences is that the Telekinetic Effect does NOT exert (return) a reaction force to its cause. (For a physical force, every action must produce an equivalent reaction force to be returned to [exerted upon] the object causing this action.) Practically this means that the increase in work completed by the Telekinetic Effect does not involve any change in the amount of energy required for the release of this Effect. Moreover, the support of such telekinetic devices does not require any force, no matter what weights they lift. Thus a device that releases this Effect can also be suspended in space, and the lack of reaction forces allows it to remain unaffected independently of the scale of actions that it causes. For example, a portable telekinetic crane lifting any object (e.g. a building or a huge rock) can be held in a child's hand without any effort.

One of the most important achievements of the Concept of Dipolar Gravity is that, while indicating the existence of the Telekinetic Effect, it also postulates two different methods of triggering (releasing) it. These are: (1) the biological method, acting through the employment of a natural capability of the human brain, and (2) the technological method, acting through the acceleration or deceleration of magnetic fields. Because of the subject covered in this chapter, the technological method of releasing the Telekinetic Effect will mainly be examined here. But a number of sightings gathered for this method apply also to human telekinesis (psychokinesis).

At this point it is worth stressing that the old concept of monopolar gravity was unable to provide any explanation for the nature of telekinetic motion, in spite of the enormous body of evidence that documents the existence of this motion. Moreover, this old concept does not allow for any reasoning concerning the attributes of this motion or the technological ways of releasing it.

An important part of the Concept of Dipolar Gravity is the interpretation of the Energy Conservation Principle as applied to telekinetic motion. Dipolar Gravity states that the laws prevailing in the counter-world must be the reversal of laws prevailing in the material (our) world. This also means that friction and energy consumption - so characteristic of the material world - are non-existent in the counter-world. Therefore, if the motion of any object is begun in the counter-world through a dislocation of the counter-material duplicate of this object, then the cause of this motion does not need to provide any energy. But the motion of the material copy of this object in our world must obey the Conservation of Energy Principle. Because the cause of the telekinetic motion does not provide the energy required to satisfy this Principle, the material part of the object moved must achieve this by itself. Therefore, during telekinetic motion, the material part of the object moved must spontaneously exchange thermal energy with the environment (i.e. absorb or release heat). The necessity for this exchange is called the "postulate of spontaneous heat exchange between the telekinetically moved objects and the environment". This postulate must have two consequences: (1) it produces a change in the environmental temperature during telekinetic motion, and (2) it produces a faint glow emitted from the matter (space) surrounding the telekinetically moved objects, called the "extraction glow".

While the above explains fully the principles behind the temperature change caused by telekinetic motion, the mechanism of the "extraction glow" requires further explanation. If energy is rapidly withdrawn from an atom, its electrons must fall from their higher orbits into lower ones. This in turn, according to quantum physics, must cause the emission of photons. Therefore, the rapid extraction of heat from the matter that surrounds an object moved telekinetically must be accompanied by the emission of a faint glow from this matter, or the extraction glow. Its emission should register as a faint white light that surrounds the surface of objects moved in a telekinetic manner. The intensity of the extraction glow

depends on the amount of telekinetic work required for the completion of a given motion. Because this work is rather insignificant for the biological sources of telekinetic motion, the intensity of the glow that they produce must also be low. Thus, for the motion which is caused biologically, the extraction glow is usually not noticeable by the naked eye, and only a sensitive photographic film is able to register it. This indicates that the best method for detection of this glow is to photograph objects moved telekinetically. But for the technological sources of telekinetic motion (e.g. highly efficient telekinetic power-stations) which extract large amounts of energy from the environment, the emission of the extraction glow starts to be noticeable with the naked eye. To outside observers, the glow from the sources of technological telekinesis will make their surface appear to be "oiled with light".

To conclude this section, the "postulate of spontaneous heat exchange between the telekinetically moved objects and the environment" makes the Telekinetic Effect act like a reversal of friction. As the friction spontaneously absorbs motion and produces heat, the Telekinetic Effect spontaneously absorbs environmental heat and produces motion.

B6.1.2. Summary of the Telekinetic Effect activated technologically

As was explained above, the Concept of Dipolar Gravity indicates that the Telekinetic Effect can be activated (released) in a technological way through the acceleration or deceleration of magnetic fields. At the present stage of research, the action of the Telekinetic Effect so released is described only partially, mainly covering linear accelerations and centripetal accelerations of rotating discs (sometimes also called d'Alembert accelerations). So far, it is established as follows:

1. The Telekinetic Effect is a fundamental primary phenomenon, whose action is manifested in all cases of acceleration or deceleration of magnetic fields.

2. This Effect releases elementary force P which action is uniformly spread over all matter (including elementary particles, whole atoms, molecules, and entire material objects) contained within the range of the accelerated or decelerated magnetic field, independently of the magnetic or electric properties of the objects formed from this matter.

3. The force P produced by this effect demonstrates all the attributes of the telekinetic force, especially:

- it does not produce the reaction forces which would return back onto the object that released the force P ,

- the consumption of energy for the work completed by this force is satisfied through a spontaneous absorption of thermal energy contained in the environment. Thus, the work of the force P is not completed at the expense of energy supplied by the object that released the action of this force (this attribute makes the force P become a reversal of friction).

4. The direction of telekinetic force P , according to the theoretical deductions which utilize the symmetry rules expressed by the Tables B1 and B2, should coincide with the direction of an active acceleration " a " and should point opposite from the vector of inertial force.

For the linear accelerations, the direction of this telekinetic force P in fact coincides with that direction deduced theoretically. For such accelerations the force P acts along " a ", thus making the analysis of the Telekinetic Effect quite simple.

However, for the centripetal accelerations, the direction of this force differs in reality from that deduced theoretically. Analysis of the behaviour of electrons in the N-Machine (described in subsection B6.2.2) suggests that this direction is a complex function of a minimum of three vectors: V , a , L . (It is possible that this direction also depends on the local vector of the magnetic field gradient.) The direction of force P determined empirically in this manner is shown in Figure B4. The vectors influencing this direction are as follows:

- " V " represents the vector of the linear speed of a given fragment of matter subjected to the force P ,

- "a" is a vector of the active acceleration or deceleration that acts at a given magnetic field. Active acceleration is understood to mean any acceleration. The word "active" is only added to stress that the direction of this acceleration is opposite from the "passive" direction of inertial forces produced by the action of this acceleration. As in centripetal acceleration these passive inertial forces act outwards, the vector of active acceleration is directed inwards. (For linear accelerations, the passive inertia is directed in opposition to the vector of speed. Thus the vector of active acceleration will coincide with the direction of linear speed. For linear deceleration, the vector of active acceleration acts in opposition to the vector of speed.)

- "L" is a vector that describes the local direction of magnetic field force lines. This vector is tangential in each point to the local course of force lines of a magnetic field. Its direction is such that each force line leaves the south magnetic pole and submerges into the north magnetic pole of a particular magnet. (At this point it is worth stressing that because of the author's interest in the magnetic propulsion systems of flying vehicles, his notation of magnetic poles is designed so as to facilitate the analysis of such systems. Therefore in all his publications, the N magnetic pole is the pole that prevails on the north geographic pole of Earth, and also the pole of a magnetic needle tip pointing south.) The difference between the theoretical and experimental directions of force P for centripetal accelerations, highlighted above, may result from the limiting of findings to date to the description of the behaviour of electrons inside spinning objects. As was determined in various experiments, electrons also spin. Therefore, except for force P, their behaviour can be controlled additionally by gyroscopic momentums of their own rotations as well as the rotations of the objects through which their motion occurs.

5. The maximal value of force P which acts at a given material object of a mass "m" seems to fulfil the following equation: $P_{max} = C \cdot B \cdot a \cdot m$; in which "C" is a constant, "B" is the magnetic flux density of the accelerated or decelerated field, "a" is the acceleration or deceleration, and "m" is the mass at which the force P acts. This equation is only temporary and it does not include the relationship between the force P and the angles between the directions of vectors listed above.

The exact working out of the Telekinetic Effect is very difficult and it encounters numerous obstacles. The most important of these obstacles are: (1) the complexity of the effect itself, (2) its close co-existence with a number of electromagnetic and mechanic effects of the first generation from which it is difficult to be separated, and (3) the prejudice that the contemporary scientific establishment shows towards telekinetic phenomena. In spite of these obstacles, research is progressing continually. To date, the history of its investigations seems to indicate that the Telekinetic Effect is one of the greatest challenges imposed on our science by the forces of nature. On the other hand, the type of benefits that this Effect promises makes its mastering also one of the most important bequests that scientists of this century can present to future generations.

Research on the technological version of the Telekinetic Effect has only just started. So far there is almost nothing known about the action of this effect caused by pulsating magnetic fields. Thus as this research progresses, the information provided in this subsection will be updated and made more general.

B6.2. Telekinetic power-stations (or "free energy devices")

In a number of countries, pioneer research on magnetic devices called "free energy devices" is being advanced. Because the operation of these devices employs mainly the Telekinetic Effect, they will be called "Telekinetic power-stations" in this monograph. The general purpose of these devices is to extract energy contained in the environment, and to convert this energy into a useful form. Thus the operation of these new devices is drastically different from that of present sources of power. As is already known, present power supply devices utilize the difference (gradient) between two energy levels. Through causing a flow of energy from a higher to a lower level, they re-direct a part of this flow, and

subsequently force it to convert into a useful form (e.g. into electricity). But the operation of telekinetic power-stations does not require differences in energy levels. They simply absorb thermal energy which is always present in the environment, and then just transform this energy into a consumable form (i.e. into electricity). Therefore the use of these new devices does not depend on the availability of any external energy supply, such as fuel, wind, water flow, muscle power, electricity, etc.

The discovery that the Telekinetic Effect represents a reversal of friction, and subsequent discovery of the technological ways of activating this effect, provide the theoretical foundation for the building of telekinetic power-stations. According to this newly gained knowledge about such devices, the extraction of energy from the environment requires only: (1) the building of devices that technologically release the Telekinetic Effect, (2) the absorbing of thermal energy from the environment and than its transformation into a useful motion, and (3) the channeling of the motion which is produced so that it is finally converted into electricity.

According to common opinion, the operation of such free energy devices should not be possible because they would appear to run against the Conservation of Energy Principle. Fortunately their inventors have disagreed with standard beliefs and continued their research. After the first prototypes of these devices were built, common opinion again proved to be wrong - like so often before. It turned out that the completion of free energy devices is possible, and their operation doesn't contradict the Conservation of Energy Principle. The detail overlooked by those who disagreed was that these devices do not "create" energy - they only extract it spontaneously from the environment. Therefore, they produce electricity during their operation, but at the same time they also decrease the environmental temperature.

To illustrate the current state of these free energy devices, it is worth mentioning that a generator, called "N-Machine", already exists (described in the later part of this subsection) whose overall efficiency reached 104.5%. Of course the prototype of this generator, which has been investigated thoroughly, is still rather crude, and its numerous technical details will be subjected to further modifications. The 104.5% efficiency means that after re-directing back to this generator the amount of energy necessary to sustain its motion, 4.5% of its output still remains. This 4.5% constitutes "free energy" that the generator supplies to its user. The other device, presently produced in Switzerland on a small scale, called the INFLUENZMASCHINE, is even offered for sale. According to its producer, this device produces about 3 kW of electric power (at 700 to 900 Volts) without any external energy supply.

This subsection reviews the results of the most significant theoretical research and experimental findings concerning telekinetic power-stations.

B6.2.1. Periodic Table postulating the future completion of telekinetic power-stations

To illustrate the application of the Periodic Principle for predicting the future evolution of energy producing devices, the author constructed a corresponding Periodic Table which is shown as Table B2. This Table includes only those power producing devices whose operation utilizes various forms of motion. The motion in these devices is a kind of "catalyst agent" which absorbs the external energy, transfers it through various stages of conversion, to finally pass to an output medium. Thus, Table B2 does not include all devices that produce electricity by various static principles, e.g. through the implementation of chemical, photo, or radioactive phenomena. For each type of these static devices it is necessary to construct separate Periodic Tables.

The Periodic Table B2 contains the names of all important power producing devices. These are listed at the cross points of the rows and columns. The placement of a particular device in a given row indicates the attributes of motion utilized in its operation, and so also the generation (or the level of advancement) to which this device belongs. The placement of a device in a given column indicates the general category of devices to which it belongs,

thus it also shows the technological implementation of its principles of operation. The empty boxes in Table B2 show the gaps which still exist in our inventions of power producing devices. The location of these empty spaces (i.e. their row and column) informs about principles of operation of those devices not yet invented.

The horizontal broken line inserted into this Table shows the level of technology in power producing devices achieved to date. This line separates the devices which our civilization has completed, or is able to complete, from all those devices whose operation still needs to be learnt through the discovery and investigation of new phenomena. The devices named below this line already exist, whereas those named above it will be completed in the future. It is worth noticing that there are empty boxes below the broken line. Such spaces indicate that the appropriate phenomena which are required for the completion of these devices are already known, but the lack of demand for the application of such devices deemed their invention to be unnecessary.

In the left section of the Periodic Table, inside the thick lines, details of the energy producing phenomena that are utilized by devices from a particular row (generation) are defined. This column is further sub-divided into three sub-columns which describe: (1) the energy carrier utilized by the devices listed in the rows on the right, (2) the generation number to which these devices belong (the higher this number, the more advanced the device), and (3) the attributes of motion, which are utilized for the operation of devices listed in the rows. Because with the elapse of time all three items described above move into higher levels, this column also represents the time axis of the Periodic Table.

Examination of the time axis from the Periodic Table shows that the power producing devices also utilize three energy (motion) carriers, i.e. (1) mechanical motion, (2) flow of gases (fluids), and (3) motion of magnetic fields. For each of these energy carriers three subsequent generations of the power producing devices are built. Each of these generations utilizes the different set of attributes of a motion. The first generation utilizes only a steady motion or a flow. The second generation utilizes a motion of the energy carrier as well as its acceleration or deceleration. Whereas the third generation utilizes a motion, an acceleration, and an internal energy reserve (e.g. compression, heat).

In the row within thick lines at the bottom of the Periodic Table, the categories of the devices listed in each column are named. These describe the technological implementation of the principles of operation utilized by devices from each column, including the main output of their work. Because of this operation, five separate categories of power producing devices can be distinguished. In this monograph they are called: (1) motors, (2) generators, (3) aggregates, (4) electrostatic machines, and (5) cells or batteries. As it is important to distinguish between each category for the understanding of this monograph, an explanatory definition of each of them is given below.

1. Motors are devices that produce a relative motion of one group of their parts towards another group of their parts. They consume some kind of energy, provided to them usually in the form of fuel or electricity, to produce mechanical energy (motion). This mechanical energy is transferred outside of the motors and supplied for use. Motion produced by motors can also be converted into electricity if these devices are linked with an electricity generator. An example of a motor is a combustion engine used in modern cars, which, after being coupled with electricity generators, can also supply electrical current.

2. Generators (electricity generators) are devices that produce continuous motion (flow) of electrical charges along their conductive circuits. The flow of these charges forms electric currents that are conducted outside of the generators and supplied to users as electric energy. Generators consume mechanical energy (usually supplied by some type of motor) and produce electricity. An example of the generator is a car dynamo.

3. Aggregates are devices which combine together the operation of motors and the operation of generators. Aggregates usually consume fuel and produce electricity. The most crude form of aggregates is obtained through coupling together a motor that represents a given generation of devices with an electricity generator that belongs to a different generation of these devices. An example of such an aggregate is a portable power-station, which combines a combustion engine (i.e. the 3rd generation of gas circulating devices)

with a magnetic generator (i.e. the 1st generation of magnetic field circulating devices). The more sophisticated aggregates combine a motor and generator belonging to the same generation. Thus they are able to produce both, the motion and electricity inside a single device. An example of such a sophisticated aggregate is the so-called MHD generator.

4. Electrostatic machines are devices which cause the motion of electric charges across an insulator or a semi-conductive material that separates two conductive elements (electrodes). In turn, this motion of charges causes the loading of both electrodes with static electricity. Connection of a conductive circuit that joins both electrodes leads to a flow of current, which is then utilized. An example of an electrostatic machine is a Van de Graaff device.

5. Cells and batteries are devices which operate in a manner similar to electrostatic machines. But the semi-conductive material placed between their two electrodes does not contain any moving parts, although such movable parts can be placed on the outer side of electrodes. A cell is one of these devices, whereas batteries contain a series (more than one) of single cells. An example of cells or batteries can be a piezoelectric cell or a thermoelectric battery.

In order to facilitate references to all categories of devices that belong to the same generation, they will be called by the common name of "power-stations" in this monograph. Thus any reference to magnetic power-stations (of the first generation) will include all the power producing devices whose operation utilizes the steady (continuous) motion of magnetic fields, whereas any reference to telekinetic power-stations will mean all the devices whose operation utilizes the Telekinetic Effect.

Analysis of the Periodic Table B2 leads to some interesting conclusions which reinforce the conclusions derived from Table B1. Firstly, Table B2 shows that the building of power-stations that utilize various attributes of the motion of magnetic fields has only just started, and soon the second generation of these devices will become operational. This new generation will become reality when mass production of the first commercially useful telekinetic power-stations begins. Secondly, Table B2 repeats the finding of the Concept of Dipolar Gravity and postulates that the operation of all telekinetic power-stations will be based on the acceleration and deceleration of magnetic fields.

B6.2.2. Review of the main types of telekinetic power-stations built so far

A number of prototypes of telekinetic power-stations have already been completed by dedicated inventors who arrived at their construction empirically. But so far there has been no theory which would explain the operation of these extraordinary devices. This has made their improvement and manufacture difficult, and it has also impeded formal recognition of these devices by the scientific establishment. Only after the formulation of the Concept of Dipolar Gravity and the introduction of the Telekinetic Effect was such a theory created. Its existence allows for the rational explanation of the principles of telekinetic power-stations, and formulates a theoretical foundation that allows for a systematic improvement of these devices.

At the present level of development, each one of the existing telekinetic power-stations still has an imperfection that holds back commercial mass production. As we learn from the history of technology, the process of gradual elimination of such imperfections takes many years - see Figure B5. For example, from the time of the first experiments of Benjamin Franklin in 1745, until the completion of the first effective generator by Michael Faraday in 1831, almost 90 years elapsed. But the delay in the date of commercial utilization of the first device that effectively extracts environmental energy does not mean that the building of these devices is unfeasible. The telekinetic power-stations already built have proven that the idea of these devices is feasible, and that their successful utilization in everyday life is only a matter of time.

Prototypes of telekinetic power-stations which are already completed will now be presented. Their discussion commences with a motor called the "Permanent magnet

motor". This motor was invented by Howard Johnson (P.O. Box 199, Blacksburg, Virginia 24060, USA). Historically, it is considered to be the first operational telekinetic motor ever completed on Earth. Its design and operation are published in an article by Jorma Hyypia, "Amazing Magnet-Powered Motor" (Science & Mechanics, Spring 1980, pages 45-48 i 114-117). This motor is also subject to USA patent no 4,151,431. According to reports, its efficiency slightly exceeds 100%. Thus, once started, it sustains its operation until intentionally held back or until its mechanical parts wear out. But the excess of its output power is still too small to be useful. Therefore, its significance lies in proving that the construction of telekinetic devices capable of self-sustaining their own motion is feasible, although the energy produced by this motor hasn't found any practical application.

The general design of the Johnson motor is shown in part (a) of Figure B6. The original design of this motor contains only two relatively moving parts - marked as (1) and (3) in Figure B6. (The introduction of the third part, marked as (2), is proposed by the author to explain ways of increasing the efficiency of such motors.) The stator (3) contains a set of small magnets located in equal distances from one another. Above the stator (3) magnets of the Telekinetic Effect activator (1) move in the direction "V". The shape of magnets (1) is vital, i.e. they must be half-moon or banana shaped. The proportion of dimensions of both groups of magnets, i.e. (1) and (3), is also vital. The operation of the Johnson motor, explained by three subsequent stages of the release of the Telekinetic Effect, is also illustrated in Figure B6. Parts (a), (b), and (c) of this Figure show three successive positions that the activator (1) takes in relation to the stator (3). The thick closed line passing through magnets (1) and (3) represents the path of the magnetic circuits (force lines) that join both of these parts. The operation of this motor begins with stage (a) in which magnetic circuits are in an equilibrium position. But the inertial motion of the activator (1) in the direction "V" causes these circuits to jump into the position shown in part (b) of this Figure. During such a jump, the magnetic circuits are accelerated. This acceleration releases the telekinetic force "P". A small fraction of this force acts also at both ends of the magnet (1), providing them with an impulse that sustains the motion "V". The special shape of the magnet (1) causes it to intercept a part of the telekinetic force released by the motion of this magnet. The jump and acceleration of the magnetic circuits extend until stage (c). The further motion of the activator (1) in the direction "V" causes the final return to the equilibrium position already described in part (a). Then the whole cycle of the operation is repeated.

After an analysis of the Johnson motor it becomes obvious that the greatest value of the telekinetic force P' is released just above the magnets of the stator (3) where the acceleration of magnetic circuits is the largest. This indicates that the efficient telekinetic motors should contain not less than three relatively moving parts, i.e. a stator (3), a Telekinetic Effect activator (1) and a rotor (2). In such a three-part motor the mutual interactions between the stator and the field activator are only to release the Telekinetic Effect. But the force P' of this Effect is intercepted by the rotor, which then feeds a part of the impulse just received back onto the activator - to sustain its motion.

The above shows why the main drawback of the Johnson motor is its low efficiency. This results from the use of only two relatively moving parts instead of three. The activator (1), that normally should release only the Telekinetic Effect, in this motor also tries to intercept its force. Of course, because of its inconvenient location, it intercepts only a small fraction of the force that it releases. Moreover, a part of the force intercepted during the acceleration of magnetic circuits is then eliminated by an opposite force intercepted during the deceleration of the same circuits. This drawback can easily be eliminated through the introduction of a segmented rotor (2), placed between the activator (1) and the stator (3) - as is marked by a broken line in Figure B6. The rotor (2) would spin with a speed at least two times greater than that of the activator (1), and would be joined to it with mechanical gears. During the operation its blades would always appear in the place of the strongest telekinetic force P' , and disappear from the area of the opposite action of the Telekinetic Effect. The use of a rotor for the interception of the telekinetic force would also simplify the design of this motor. This is because the activator (1) would not then require magnets of a special shape. It is worth mentioning here that the spinning of the rotor (2) could also be

used for the generation of electric power in a manner similar to that used in the N-Machine. Thus the appropriate design of this rotor could transform the telekinetic motor into a telekinetic aggregate.

While discussing the Johnson motor, it is worth noting that its inventor was unaware of the existence of the Telekinetic Effect, therefore he explains the operation of this device in a different manner. According to his explanation, the continuous motion of this motor is the result of an imbalance between the magnetic attraction and repulsion taking place in opposite directions. Of course this explanation does not say why his motor requires the initial starting impulse of the motion (for its operation caused by such an imbalance should be able to start on its own). Also such an explanation eliminates the justification for a third moving part, thereby giving no theoretical clues as to how to improve the efficiency of this device.

The operation of the next category of telekinetic devices will be explained with the example of a generator called the "N-Machine". A photograph of this generator is shown in Figure B7. The N-Machine is the best known and the most frequently investigated telekinetic device. The results of its operation, and also all of its technical details, are available to interested people. Actually, the N-Machine is so far the only telekinetic device known to the author whose vital technical details are not kept confidential. The inventor of the N-Machine is Bruce DePalma, an investigator of free energy devices, presently recognized as the leader in the scientific approach to the extraction of energy from the environment. The current developmental research on the N-Machine is conducted by the DePalma Energy Corporation (1187 Coast Village Road #1-163, Santa Barbara, CA 93108, USA) in co-operation with the Indian Nuclear Power Board, Karwar, India. Detailed descriptions of this generator are contained in reports prepared and disseminated by the DePalma Corporation. Video tapes that demonstrate its operation can also be purchased on request, and it can be examined in the laboratory of the DePalma Corporation. The prototype of the N-Machine, which has been investigated in detail, is about 1 meter in length and 0.4 metres in diameter. Its weight is around 400 kilograms. Its output reaches 2480 Watts (i.e. 800 A x 3.1 V) of a direct current (DC), for the input rotations of about 2600 rev/min.

A diagram of the N-Machine is shown in Figure B8. The most important part of this generator is a solid, bronze rotor (2) assembled on a rotary shaft (1), and consisting of permanent magnet segments (3). In the current prototype, a NdFeB permanent magnet is used which has the shape of a ring 212 mm long and 330 mm in diameter. It produces a field of about 6750 gauss. The electrical energy produced in the rotor (2) is collected by brushes (4) and (5), which transfer it to an output collector (9). At the end of the shaft (1) a belt transmission (6) is located. The rotor (2) is supplied with the required rotational speed "n" via this transmission (6) and the shaft (1). The speed "n" is produced by the propelling motor (7). The electric current is passed to the motor (7) from an input collector (8).

The operation of the N-Machine is based on an old empirical discovery by Michael Faraday in 1831. He discovered that the spin of a conductive magnetic disc creates a difference of electric potentials between the peripheral and the centre of this disc. But the origin of this difference was satisfactorily explained only after the Telekinetic Effect was discovered. Therefore, the operation of the N-Machine will be presented in the light of the action of this Effect.

In the DePalma generator, a motor (7) produces the rotary motion "n", and supplies this through a belt transmission (6) and a shaft (1) to the rotor (2). The fast spinning of the bronze rotor (2) produces the centripetal acceleration that acts at the force lines of a magnetic field yielded by the magnet (3). This acceleration releases the Telekinetic Effect whose force P begins to act upon the free electrons contained in the bronze rotor (2). Subsequently, this P force causes the dislocation of these electrons and the formation of a difference of electric potentials between the brushes (4) and (5). This difference amounts to about 1.216 V for each n=1000 rev/min. The brushes (4) and (5) are connected to the output collector (9) which passes on the current produced for use. After the short-circuiting

of the outer connections, the present prototype of this generator produces power of about $W_o=800A \times 3.1V$.

DePalma's discovery determined that there is a critical density of the magnetic field which saturates the bronze rotor. Below this critical density, the increase of a magnetic flux supplied to the rotor increases proportionally the electrical output of the generator. But above this critical density, the increase of the field does not cause an increase in the output. It seems that such a saturation results from the number of free electrons which exist in a given volume of bronze, and which can be shifted by the Telekinetic Effect. This critical density can be easily achieved through the application of permanent magnets.

At the present level of development of the N-Machine, some technical obstacles still exist which hold back its commercial use. These obstacles are caused mainly by problems with the effective utilization of the generator's output for a self-supply of its own energy consumption, i.e. the consumption of energy by the electric motor that provides the rotations necessary for its operation. The successful solving of these problems requires further experiments and research. The most difficult aspect of these problems is that the Telekinetic Effect is able to create only about 1.216 V for each $n=1000$ rev/min of the rotor. Thus the entire power of the N-Machine is contained in its Amperes, not in its Volts. On the other hand, designs of highly efficient electric motors require an input voltage of about 24 V. Therefore a commercially viable N-Machine needs to be able to produce this high voltage.

Soon after the completion of one of the first prototypes of the N-Machine, a group of experts several times measured precisely the overall efficiency of the DePalma generator. This first crude prototype, in the most unfavorable conditions, had an efficiency amounting to 104.5% of the total energy input to the electric motor that supplies rotational speed "n" to the generator - see "Report on the Initial Testing Phase of N-1 Electrical Power Generator" (DePalma Energy Corporation Report #1, 6 January 1988), page 6. The results obtained by DePalma encouraged other investigators to repeat his findings. All three investigators who made their results available (Trombly, Tewari, Kincheloe) confirmed the achievement of a similar level of the generator's overall efficiency. Just recently, after the completion of a more sophisticated DC prototype, DePalma reported in a private letter to the author about a significant increase in this efficiency.

One of the reasons for a low commercial viability of current telekinetic devices is that they must co-operate with the devices of the first generation, while they themselves belong to the second generation. For example, the Johnson motor requires a generator of the first generation to convert its mechanical output into electricity, whereas the DePalma generator requires a motor of the first generation to feed it with the motion. This draws us to the obvious conclusion that the overall efficiency of telekinetic power-stations can be increased in a simple way through the coupling together of two devices of the second generation. Thus, the more than 100% efficiency of the telekinetic generator would add to a similar efficiency of the telekinetic motor, significantly increasing the excess of overall efficiency. Even better results would be achieved when the operation of both of these devices could be combined inside a single device. In this way a telekinetic aggregate would be achieved in which two separate Telekinetic Effects would produce simultaneously: (1) the motion required for the operation of this device, and (2) the electricity representing its output. In such an aggregate the energy loss from friction would be reduced to half of the losses from the separate motor-generator devices. Therefore its efficiency would also increase about two times.

An example of an aggregate already in existence is a telekinetic electrostatic machine called the INFLUENZMASCHINE. Its photograph is shown in Figure B9. The invention of the INFLUENZMASCHINE is attributed to a Swiss clock-maker named Paul Baumann. In 1978 he constructed the first such machine, called TESTATICA, which presently is owned by the METHERNITHA community (CH-3517 Linden near Bern, Switzerland). The newest (improved) models of this machine are called the THESTA-DISTATICA. The developmental work on the adoption of this free energy device for the purpose of commercial manufacturing is conducted by the other group called VENE (P.O. Box 1451, CH-3601 Thun, Switzerland). The name VENE originates from the

abbreviation of the words: Vereinigung zur Erforschung natürlicher Energiequellen. First prototypes of the INFLUENZMASCHINE completed by this group are already offered for sale (an aggregate producing about 3 kW costs around 10,000 SFr). Machines built by VENE differ from those by METHERNITHA, as they produce AC current. Therefore the output parameters of the VENE machines can be adapted to any requirements of the user through the application of transformers. The VENE group also works on the development of a telekinetic battery (which operation is described near the end of this section) in which the electro-magnetic pulsations are achieved through the application of crystals.

The INFLUENZMASCHINE was initially built as a single-disc DC telekinetic device, quite similar in design and operation to the Wimshurst electrostatic machine. However, as a result of subsequent improvements, a second disc was added later. The use of two discs allows for a cumulative replenishment of electrostatic charges, and also for employing the mutual interactions between both discs to sustain their relative rotations. Therefore the two-discs INFLUENZMASCHINE, according to the definition from section B6.2.1, represents a telekinetic aggregate. The propelling mechanism of this aggregate operates like an electrostatic motor of the first generation, but its propelled mechanism operates like a telekinetic electrostatic machine of the second generation. Only two-disc aggregates are now produced.

A short description of the INFLUENZMASCHINE is published in the West-German magazine Raum & Zeit, no. 34, Juni/Juli 1988, page 94. Its newest operational prototype (THESTA-DISTATICA) weighs about 20 kg. Discs of this prototype rotate with the speeds of $n=80$ and 40 rev/min. According to the developers' specifications, it produces DC current of about 700 to 900 V and fluctuating power of up to 3 kW. The electric field between discs leads also to the strong ionization of air and to the production of ozone as a by-product of its operation. After the initial starting by hand, discs of this device self-sustain their rotations. Thus, the entire output from the INFLUENZMASCHINE represents an excess of free energy that already can be utilized for some consumption purposes. Therefore this machine is the first telekinetic aggregate in the world which is sufficiently effective for instant commercial utilization. As such, this aggregate represents enormous profit-yielding potential. So, for understandable reasons, the developers of the INFLUENZMASCHINE keep its major technical details secret. The descriptions provided below do not originate from the developers of this machine, but they were reconstructed (or rather: re-invented) by the author on the basis of sparse information and photographs available.

Vital parts of the INFLUENZMASCHINE are described below (compare Figures B9 and B10). The most important parts of this machine are two parallel discs (d') and (d''), made of a good electric insulator (e.g. glass), both 55 cm in diameter, mounted coaxially close to each other on a common shaft, and rotating quickly in opposite directions (n') and (n''). To the external surfaces of these discs, 48 tin-foil electrodes with square perforations are attached (laminated). These electrodes are made of a magnetically neutral metal (e.g. silver, gold), and are arranged concentrically towards the center of each disc. Each single leaf of these electrodes is 19 cm long, and looks like a small ladder. In the front of the first disc (d') a small magnetic disc (d) is placed. The diameter of this disc is 12 cm. It holds a single magnet (m), utilized for the activating of the Telekinetic Effect. The force lines from this magnet pass through the disc (d') around its electrodes. Two powerful Leyden jars (L^-) and (L^+), whose outer coatings are connected with each other, have their inner coatings connected to the collecting combs (C^-) and (C^+) and the induction heads (H^-) and (H^+). The combs collect the electrostatic charges from discs and supply these to the Leyden jars. A user draws the output of this machine from two wires connected to the inner coatings of jars (L^-) and (L^+). The opposite sides of both discs are connected together by two fixed bridging wires (i) that end with small brushes of gilt threads.

The operation of the INFLUENZMASCHINE is illustrated in Figure B10. Because this operation is quite complex, in the case of someone having difficulties with understanding it the author recommends additional reading about the operation of the Wimshurst's electrostatic (influence) machine, whose models are utilized for discharges production in laboratories of almost every high school. The INFLUENZMASCHINE combines as many as

five different operational principles in one device. These are: (1) the electrostatic induction of charges on electrodes of the front disc, (2) the electrostatic induction of charges on electrodes of the back disc, (3) the self-sustaining of the continuous rotation of discs, (4) the replenishment of electrostatic charges, and (5) the telekinetic compensation of losses by friction. Each one of these principles is explained separately below.

1. The electrostatic induction of charges on electrodes of the front disc (d') - see part (a) of Figure B10. Let us assume that the inner coatings of two Leyden jars marked as (L-) and (L+) are initially charged with negative (-) and positive (+) electricity. Thus, these charges also appear on the square induction heads (H-) and (H+) connected to these coatings. The heads are suspended close to each other above electrodes number (1') and (5'), but do not touch them. The presence of static electricity in heads (H-) and (H+) causes their repulsive and attractive interactions with the natural electric charges existing in the metal of electrodes (1') and (5'). As a result, opposite electrostatic charges of these electrodes will be separated into the opposite ends of the electrodes. Therefore, when the inner ends of the electrodes (1') and (5') are connected together with the fixed bridging wire (i'), the flow of charges must occur. This flow causes only positive (+) charges to remain on the electrode (1'), whereas only negative (-) charges remain on the electrode (5'). Because the disc (d') is in a state of continuous rotation in the direction of (n'), after the electrodes (1') and (5') are so charged, the next subsequent pairs of electrodes are charged in exactly the same manner. Thus, the head (H-), supported by the bridging wire (i'), charges positively (+) each electrode running under it, whereas the head (H+) in a similar way charges negatively (-) each electrode running under it. When the rotation of the disc (d') turns the first electrodes which are charged into a position underneath the combs (C-) and (C+), the electric charges of these electrodes will be collected and stored in the Leyden jars (L-) and (L+).

2. The electrostatic induction of charges on electrodes of the back disc (d'') - see part (b) of Figure B10. In exactly the same way, as with the front disc (d'), the back disc (d'') is also charged. In order to increase the communicativeness of Figure B10, the back disc (d'') is shown here as having a larger diameter, although in the actual machine diameters of both discs (d') and (d'') are exactly the same.

3. The electrostatic sustaining of the rotation of both discs - see part (c) of Figure B10. The discs (d') and (d''), whose electrodes are charged electrostatically, represent together an electrostatic motor of the first generation. This motor transforms the electrostatic energy accumulated in its Leyden jars into relative rotations of both discs. Therefore, after the jars of this motor are loaded with electrostatic energy, it will continue the rotations until the entire energy is dissipated through friction.

The operation of the INFLUENZMASCHINE as an electrostatic motor of the first generation is illustrated in Figure B10 (c). In this motor, the relative rotations of both discs are produced by the mutual attraction of electrodes having unlike charges (e.g. the electrode (4') of the front disc attracts the electrode (5'') of the back disc, and vice versa), reinforced by the mutual repulsion of electrodes having like electrostatic charges (e.g. the electrode (5') of the front disc repels the electrode (4'') of the back disc, and vice versa). In the vicinity of electrodes numbers (1) and (5) the forces of this attraction and repulsion are oriented in such a manner that they propel the continuous rotations (n') and (n'') of both discs. In the part (c) of Figure B10, the forces which are significant for sustaining the rotations of both discs are shown as small vectors running between electrodes. Analysis of this Figure reveals that the more induction headings (H) a given machine has on both discs, the higher is its propelling capability. Therefore, the real INFLUENZMASCHINE will use more than 2 such headings per disc. It is also worth mentioning here that similar forces of electrostatic repulsion or attraction are in fact produced between each pair of electrodes. But the majority of these forces are insignificant for the operation of the motor described here. This is because they act in the directions which either neutralize each other's propelling action, or try to deform the discs (instead of supporting their rotations). The vectors of these non-significant forces are not indicated in Figure B10 (c).

4. The replenishment of electrostatic charges. If one analyses the mutual interaction between electrodes of both discs, than it becomes obvious that the motion of charges of one disc must produce an electrostatic induction of charges in another disc. Thus, a cumulative mechanism of electrostatic replenishment of charges is achieved. Because such a replenishment lies at the foundation of the operation of all of Wimshurst's electrostatic machines, its description will not be repeated here.

5. The telekinetic compensation of losses for friction - see part (d) of Figure B10. The principles described in items 1 to 4 above will cause that, after the initial hand-turning of the machine to load its Leyden jars with an electrostatic energy, the INFLUENZMASCHINE would continue its rotation until the energy accumulated in its jars is dissipated in friction. Thus, in order to rotate its discs forever, the operation of the machine must also include some mechanism that restores the charges that are lost by friction. This mechanism is provided by a small rotating disc (d) with a magnet (m) attached to it. The magnetic field produced by this magnet penetrates the disc (d') and releases the Telekinetic Effect in it. This Effect forces a flow of electrons from the material of disc (d') to the electrodes of this disc. The principles of this flow are similar to those utilized in the N-Machine. Of course the small charges released by the Telekinetic Effect are then replenished in a cumulative manner by the electrostatic induction (see item 4 above). If the amount of energy produced in this manner is larger than the amount of energy lost by friction, the INFLUENZMASCHINE, once started by hand, will rotate infinitively, loading its Leyden jars with a continuous stream of electrostatic energy.

An interesting finding concerning the exchange of heat with the environment by the INFLUENZMASCHINE was reported by the chairman of VENE. It was noted that after inserting this aggregate in a thermally insulated box, it gradually lost its power and finally ceased working (stopped). This important finding led to two findings, both of which confirm that the gradual cooling of the environment was responsible for stopping the INFLUENZMASCHINE. The first states that the efficiency of heat absorption from the environment for this aggregate must depend on the external temperature (the lower the environmental temperature, the less effective is the heat absorption by the Telekinetic Effect). Thus the aggregate should work very well in the tropics but rather poorly in the antarctic. The second finding indicates that the majority of the INFLUENZMASCHINE's power production is obtained through an electrostatic replenishment of charges, not by the action of the Telekinetic Effect. The Telekinetic Effect only tips the balance of energy onto the "over 100%" side, whereas the real production of power in the INFLUENZMASCHINE occurs through the replenishment mechanism. So, when a slightly cooler environment upsets this delicate balance, the aggregate simply refuses to work.

The technical problems of the INFLUENZMASCHINE waiting to be solved are: (1) the production of a high voltage (around 700 to 900 V) accompanied by a small amperage (this problem seems to be a reversal of the problem with the N-Machine); (2) the significant instability of the output voltage, reaching around 200 V (or 25%), which leads to the fluctuation of the power supplied; and (3) the lack of a control mechanism that would adjust the parameters of output to the user requirements. Thus, in practice, the design of the INFLUENZMASCHINE still requires fine-tuning before its effectiveness, reliability, and stability reach the level of the present power producing aggregates of the first generation. If the profit-yielding potentials of the INFLUENZMASCHINE do not make co-operation on its development impossible, then the solving of these problems could be achieved by the co-operation of a number of inventors. In this way, the combined effort of many minds in a relatively short time could put this aggregate into service.

All of the power-stations described above use only a small portion of the Telekinetic Effect which they release. Moreover, they produce this effect mainly through inefficient centripetal accelerations caused by the spinning of objects. Therefore, after more knowledge about the Telekinetic Effect is obtained, a significant increase in the efficiency of these power-stations will be possible. The utilization of two other, at present not well known, methods of acceleration of magnetic fields can greatly contribute to this increase. These are: (1) a dynamic crushing of magnetic fields originating from a few different sources, and

(2) the impulses (pulsations) of magnetic fields. Both of these methods should release the highly effective Telekinetic Effect. In the case of the pulsating fields, the utilization of this Effect will also not require the presence of any moving parts. Thus such fields should significantly increase the efficiency of telekinetic work, as they would eliminate mechanical friction.

The utilization of pulsating magnetic fields for the release of the Telekinetic Effect will lead to the production of telekinetic batteries. Such batteries will not contain any moving parts. Their operation will depend on the replacement of mechanical motion by electromagnetic motion (i.e. the Telekinetic Effect in them will be released through the oscillations of magnetic fields that originate from electrical oscillations). Therefore their construction will more resemble a cross between a transformer, an oscillatory circuit, and a rectifier, than the mechanism of a contemporary motor or generator.

A number of inventors are presently working on various models of a telekinetic battery, but each of them prefers to keep secret the details of the device being developed. So far, the only person who has had discussion with the author about his battery is a Filipino inventor named Jose C. Zoleta, presently living in the USA (202-02 Alameda Avenue, Flushing, New York 11362, USA). He calls his battery the "golden circuit configuration".

B6.2.3. Future directions in utilization of the Telekinetic Effect

Throughout the last few decades the hopes of humanity for the resolving of its energy problems have relied on the spectacular idol of destruction called nuclear energy. To earn the benignity of this idol, for decades it was fed with human sacrifices. But while its appetite for sacrifices has grown, its promises remain unfulfilled. Only recently has our attention returned to the magnetic field. The quiet labour of this dedicated ally has helped humanity for thousands of years. But its simplicity has detracted our attention. Therefore now, when unlimited capabilities of the magnetic field slowly become realized, we should all give our support towards its investigation and peaceful utilization.

The Telekinetic Effect has not yet been recognized or investigated by scientists. Thus all the developments to date involving telekinetic free energy devices are based on empirical findings and the intuition of individual inventors, rather than on solid research and in-depth knowledge of the principles. For this reason, free energy devices which are already built are still of low efficiency and their output just suffices to cover the friction of their relatively moving parts. To improve the efficiency of these devices, it is necessary to design and complete a programme of extensive laboratory research on the Telekinetic Effect. Such a programme should precede the technological implementation of this Effect. The author is more than happy to provide initial guidance to all those investigators who wish to contribute to this research.

While encouraging research on the Telekinetic Effect, it is also worth while to summarize the future benefits that the technological mastery of this Effect will give us. In day-to-day living, this technology will lead to individual (i.e. as opposed to centralized - which is used at present) electricity production, separate for each household. For example, telekinetic power-stations of the size of freezers will not only maintain the required low temperature in a set room (cooling room) of each house, but also will produce sufficient electric power to fully satisfy the energy needs of the household. And all this almost without cost. Moreover, such individual power-stations will eliminate the present need for the building and maintenance of centralized power houses, dams, powerlines, and other costly devices that have accompanying dangers, consume resources and materials, and pollute the natural environment.

Telekinetic power-stations can also be utilized in energy supply for propelling and production devices. Telekinetic motors built into future transportation devices will eliminate the present burning of fuel, whereas production machinery supplied with individual generators of electricity will give their users independence from the central energy supply.

The utilization of the Telekinetic Effect will not be limited to energy production. Enormous prospects are also opened up by the possibility of the directing of telekinetic force through the passing of magnetic field impulses along a beam of strong light (e.g. in a laser beam). Such beams of light perform the function of "magneto-ducts". The Telekinetic Effect directed in this way will make possible the future transportation (i.e. "beaming up") of people and loads between distances. During such transportation there will be no forces released that interact with the device which produces the Telekinetic Effect. This in turn enables a device of the size of a pocket torch to be held by a child to lift huge machines, buildings or rocks. As distance does not make any significant difference for this form of transportation, the telekinetic beam sent from satellite stations will allow us to transport into orbit any object or person present on Earth.

Progress in the technological utilization of the Telekinetic Effect will also have non-technological advantages. The most vital of these is the paving of the way for the recognition and learning of the biological telekinetic effect. From the history of medicine it is known that complete knowledge about a function of any part of the human body is possible only after a technological device that duplicates this function is constructed. A classical example is the functioning of the heart as a pump in the blood circulatory system. It is known that as late as 1628 William Harvey discovered that the heart functions as a pump. His discovery was only possible because of the earlier construction of efficient piston pumps caused by the development of medieval mining. In turn, his discovery started the development of present cardiology. From the level of present knowledge about telekinesis, it can be realized that our learning about this function of the human brain will take a similar course. Present work on telekinetic devices is paving the way for future knowledge about human psychokinesis. This in turn brings us closer to the time when the unlimited power of psychokinesis is adopted for medical use.

However, the most advanced utilization of the Telekinetic Effect will occur when the propulsors of the Magnocraft of the first generation will also be adopted for the production of telekinetic thrusts. The Magnocraft of the second generation obtained in this way will be capable of telekinetic manoeuvres, recognizable from a white extraction glow that will surround the flying vehicle. Because of the extraordinary properties of such telekinetic flights, this Magnocraft can also be called a "Teleportation Vehicle". Its details are presented in the subsection that follows.

B6.3. Teleportation Vehicle as the Magnocraft of the second generation

In this monograph the term "teleportation" is defined as an absolute version of telekinetic motion utilized for the purposes of transportation. An advanced spacecraft which employs teleportation in its flights is called here the Teleportation Vehicle. The principles of technological telekinesis were explained in the previous subsection (B6.1.2). Thus, the operation of the Teleportation Vehicle can now be deduced from this explanation. The first component of the Periodic Principle, discussed in subsection B1, indicates that a number of individuals must have already sensed some characteristics of this spacecraft of the future, using these ideas in various films, books, and predictions. Therefore the subsection that follows only extends and scientifically justifies the data already gathered by such individuals.

We should expect the Teleportation Vehicle to be built around the year 2200, when the Magnocraft's magnetic propulsors will be supplied with the additional capability of producing the Telekinetic Effect. According to the omnibus trend discussed in subsection B5.1, this vehicle will be developed as an advanced modification of the Magnocraft, capable of operating in either the magnetic or teleportative convention. This explains the other name for the Teleportation Vehicle, which is the Magnocraft of the second generation.

In the Teleportation Vehicles, as in the telekinetic motors, two separate magnetic fields - passive and active - will be utilized to create the Telekinetic Effect. The passive field will originate from Earth, the Sun or a Galaxy, thus occurring in the environment through

which the vehicle flies. For the Teleportation Vehicles this passive environmental field will be the equivalent of magnetic fields produced within the stator of a telekinetic motor. The passive environmental field will then be dynamically crashed into another, active group of magnetic fields produced within the vehicle's propulsors. In the Teleportation Vehicle this group of active fields is the equivalent of magnetic fields produced within the field activator of a telekinetic motor. The crashing of these passive and active fields will accelerate them, thus releasing the Telekinetic Effect. The vehicle's motion produced by this Effect will provide the required means of propulsion. The above description shows that the Teleportation Vehicle operates almost identically to the telekinetic motor. Therefore, once the principles of technological telekinesis are mastered, the development of subsequent magnetic propulsion systems of the second generation becomes only a matter of perfecting a sufficiently powerful Oscillatory Chamber.

The same number of technical versions can be built of the Teleportation Vehicle as the Magnocraft. Therefore, except for the Magnocraft-shaped flying vessel (refer to chapter G), this vehicle can also be produced as a Teleportative Four-Propulsor Spacecraft (refer to chapter I), and Teleportative Personal Propulsion (refer to chapter H). In each of these technical versions the Teleportation Vehicle will keep all its major characteristics, which are summarized at the end of this subsection.

At this point it should be mentioned that the effect of operation of the teleportative propulsors will not affect people's health as will the use of magnetic propulsors. For this reason the future users of Teleportative Personal Propulsion will not need to wear the protective garments that are necessary features of magnetic personal propulsion (see Figure H2 to H4). On the other hand, in the age of teleportative propulsion systems, the process of miniaturization will be more advanced when compared with that of magnetic personal propulsion. Both the above factors together, i.e. no detrimental health effects and advanced miniaturization, will make it possible for the elements of Teleportative Personal Propulsion to be inserted surgically into the bodies of people, instead of being carried as additional equipment. Such a surgical insertion will ensure that they will not forget to take this propulsion with them wherever they go, making it always available whenever needed. As the capabilities of Teleportative Personal Propulsion are extraordinary (refer to the last paragraph in this subsection), having it ready for use in any situation could save numerous lives and prevent countless tragedies. For example, the majority of accidents would be avoided if victims could have teleportative propulsors built into their bodies. In addition to this purpose, the Teleportative Personal Propulsion will provide its users with numerous everyday advantages. To give some idea as to what could be achieved with such a built-in body propulsion system, it is sufficient to view the television series "The Magic of David Copperfield" (CB, Director: Stan Harris). All the extraordinary achievements that the magician, David Copperfield demonstrates, such as walking through walls, passing through iron gates, surviving the impact of deadly objects, flying in the air (through the Great Canyon), etc., can be part of the everyday activities of ordinary people in the future.

Although the properties of the Teleportation Vehicle do not correspond to those of any other device already known on Earth, the characteristics of this future spacecraft can be deduced from the Concept of Dipolar Gravity. The author has completed this process of deduction, and the conclusions derived are summarized below. As the limited space in this monograph allows only for the more important ideas to be elaborated in detail, readers are welcome to contact the author about any specific inquiry they may have regarding matters which are discussed.

The key to understanding the extraordinary properties of Teleportation Vehicles is to understand the unique state of matter subjected to telekinetic motion, called here a "telekinetic state". The telekinetic state of a material object (e.g. a vehicle or a person) is a reversal of the physical state of that object, and appears only for the duration of its telekinetic motion. Thus, every telekinetically moved object remains in the physical state before and after this motion occurs, and is transformed into the telekinetic state for the exact duration of the telekinetic motion. After applying the above to Teleportation Vehicles, the telekinetic state will appear while these vehicles operate in the teleportative convention,

and will cease to exist when these vehicles operate their propulsors in the magnetic convention.

Each material object (e.g. vehicle, person, rotor in the telekinetic motor), undergoes the following three transformations when changed into the telekinetic state:

(1) Decomposition from a material (hardware) form into a non-material (software) one. The non-material (software) form of an object can be explained as a kind of energy pattern which is entirely stripped of physical attributes such as mass, density, inertia, optical properties, and so on.

(2) The shift to a new location determined by a telekinetic motion that the object is subjected to. During this shifting the object exists only in its non-material (software) form as an energy pattern.

(3) Recomposition back into the original, material form. After this recomposition is completed, the object begins to exist again in its physical (hardware) form. All its properties return to exactly the same state as they were in before the telekinetic transformations began.

It should be stressed that the transformations occurring within the telekinetic state do not change the level of the object's energy. Thus any work completed in this state must be accompanied by the absorption of thermal energy from the environment.

The three transformations described above are the cause of the extraordinary properties of objects changed into the telekinetic state. Such objects lose most of the attributes and limitations characteristic of the physical state of matter, and simultaneously gain another set of attributes more characteristic of some non-material forms, such as designs, algorithms, information, etc. The new properties of objects turned into the telekinetic state are as follow:

(a) The ability to penetrate through other material objects without disturbing or damaging in any way the structure or consistency of either object.

(b) The ability to be penetrated by other material objects without causing any damage to either of these objects.

(c) The loss of basic physical properties, such as inertia, density, weight, external friction, etc.

(d) The non-absorption and non-reflection of light, thus becoming totally transparent.

(e) The exchanging of thermal energy with the environment. The amount of exchanged energy is an exact equivalent of the energy consumption (or yield) necessary for the sustaining of the telekinetic motion (see subsection D11).

(f) The emission of a white extraction glow. The intensity of this emission is proportional to the consumption of thermal energy caused by the work done telekinetically. The area of the emission exactly reflects the object's outlines.

It should be stressed that all the above properties will be displayed by every Teleportation Vehicle operating in the teleportative convention.

Three basic transformations constituting the telekinetic state (i.e. decomposition, shift, recomposition) are completed during extremely short pulses. Each such pulse probably requires only three separate execution commands issued by the software model of a telekinetically moved object. From the interpretation of time in the Concept of Dipolar Gravity (refer to subsection D3) we know that a single execution command takes an elementary unit of time which probably is shorter than a nanosecond. Therefore a single pulse of the telekinetic state will extend only for an extremely short period of time, too small to be registered even by our instruments.

The complex manoeuvres of the Teleportation Vehicle can not always be achieved in one single pulse of the telekinetic state. For this reason the teleportative propulsors will maintain the cyclical repetition of such individual pulses, in this way extending the telekinetic state for any required length of time. There are two ways of repeating the single pulses of the telekinetic state, i.e. progressive and oscillative. The progressive manner depends on subjecting the propelled object into a series of telekinetic shifts having controlled ranges. This manner will be used when a Teleportation Vehicle is required to fly with a predefined speed along a specific trajectory. The oscillative manner depends on the

repetitive shifting (oscillating) of the propelled object between two extremely close destinations. This manner will be used when a Teleportation Vehicle is required to hover, suspended motionless above the one place. The long periods of the telekinetic state, achieved due to the cyclical repetition of single pulses, will be called here the "sustained telekinetic state".

The characteristic feature of the sustained telekinetic state is that a material object (e.g. a vehicle) subjected to it appears alternately in two opposite states, i.e. telekinetic and physical. The telekinetic state takes place while the single pulses are executed, whereas the physical state exists for the length of time elapsing between consecutive pulses. Depending on the frequency with which the elementary pulses are repeated, the ratio of the duration of the telekinetic state to the duration of the physical state may differ. Because in both these states the optical properties of the object are opposite (i.e. in the telekinetic state the object is completely transparent and thus invisible, whereas in the physical state it is clearly visible) the visual appearance of an object subjected to the sustained telekinetic state is continually changeable from complete visibility, through all grades of partial transparency, into full invisibility. Therefore, the basic property of all the Teleportation Vehicles is the ability to become partially transparent, completely invisible, and able to gradually fade away while remaining motionless.

This ability to gradually fade away gains a special significance when applied to teleportative personal propulsion. We can easily imagine the shock and confusion experienced by someone, knowing nothing about the telekinetic state, being confronted by an advanced alien using telekinetic personal propulsion. Such an alien would be capable of floating in mid-air, penetrating a wall or ceiling, and its body would appear to be transparent giving an impression of a mist. Deadly objects (bullets, knives, swords, axes, etc.) directed at the alien would penetrate through its body without causing damage. This situation is not so hypothetical as some sceptics would claim. Throughout the centuries a large number of people have reported close encounters with mysterious beings whose appearance matches exactly the above description. Although names assigned to these beings have varied throughout the ages - from angels and devils though to succubies and fairies, finishing with contemporary UFO-nauts - the basic attributes associated with them always correspond to those of teleportative personal propulsion.

From the mechanism of the telekinetic state stem two other important properties of teleportative propulsors, i.e. the range of a single shift and the speed of the resultant motion. The range of a single shift is the distance that an object (e.g. a vehicle or a person) is moved telekinetically during an individual pulse of the telekinetic state. This range will depend on the amount of magnetic power involved for the creation of a telekinetic effect, and also on the size of the shifted object. The more powerful a particular teleportative propulsor, the greater the range of its single shift. The same powerful propulsors will shift smaller objects to a greater range.

As has already been explained, the duration of a single pulse of the telekinetic state is immeasurably short. Therefore for a single telekinetic shift the present concept of speed loses its validity. This is because the single shift, independently of this range, will be completed instantaneously. If it is technically possible to build teleportative propulsors powerful enough to have a range extending to an interstellar distance, such propulsors would be capable of instantly shifting a Teleportation Vehicle from one star to another. Of course the speed of such a single interstellar shift cannot be described, as it would be close to an infinitive value. It should be stressed here that this applies to a single shift of the telekinetic motion only.

The present concept of speed, developed for physical motion, can also be applied to the slow flights of the Teleportation Vehicles completed in the sustained telekinetic state. Although in such flights all single telekinetic shifts will be completed instantaneously, between these shifts short time delays (gaps) will appear that can be physically described. Through dividing the range of a single shift by the duration of such an inter-shift delay, the speed of the resultant sustained telekinetic motion can be determined. The above explains

why Teleportation Vehicles, independently of the instant shifting, can also fly at any desired speed, or can even hover motionlessly in one place.

Let us now summarize the major characteristics of the propulsion systems operating in the teleportative convention. All the objects transported in the teleportative manner will be capable of instantly shifting to any destination lying within the range of the teleportative propulsors which cause their shift. Moreover, they will be capable also of completing slow flights of a chosen speed, or even to hover motionless in one place. The teleportative propulsors will provide these systems with the ability to penetrate through solid objects such as furniture, walls, buildings, mountains, planets, without causing any damage to themselves or the objects they will pass through. (Note that the ordinary Magnocraft, when flying through solid objects, will always leave in its path tunnels with a glazed surface - see subsection G9.1.1) While in the telekinetic state, the reverse situation can also be applied to all Teleportation Vehicles, i.e. their structures can be penetrated without damage by other solid objects such as knives, bullets, missiles, people, animals and so on. Similarly to the telekinetic motors, none of the Teleportation Vehicles will need any energy supply to sustain their motion, but while traveling they will consume thermal energy from the environment and emit a strong extraction glow. The thin layer of this glow will exactly reflect the outlines of the objects transported in a teleportative manner, whereas the white colour of the light which is emitted will give them a ghostly, unreal appearance. When observed during flight, those surfaces which are covered by a layer of white extraction glow will give the impression of being "oiled with light". Thus a thin, white, ghostly extraction glow will be the means of identifying the operation in the teleportative convention, making it easily distinguishable from the rich, colourful and voluminous lighting effects produced in the magnetic convention.

B7. Third generation of the Magnocraft (Time Vehicles)

The interpretation of time given by the Concept of Dipolar Gravity (see subsection D3) indicates that the counter-material parts of physical objects, which are contained in the counter-world, behave like real-time computer programs. These parts issue sequences of control commands that execute the course of events taking place in our (material) world. In our set of dimensions this flow of the execution sequence is perceived as an elapse of time. Thus, according to the Concept of Dipolar Gravity, time is defined as the "execution control which in the counter-world flows through the counter-material (software) parts of objects". Therefore time does not move, it is the sequence of execution commands that cause our passing through time.

The above definition shows that time demonstrates the ability of the counter-world to execute pre-programmed changes in our world. Thus time has exactly the same interpretation that in our world is attributed to energy. Putting this in different words, time in the counter-world (which sometimes we call also the "world of software") is equivalent to energy in our world. Subsection D3 shows that the sequence of the execution commands that constitute time is issued by the same medium (substance) that forms magnetic fields. This means that time is also a basic attribute of magnetic fields, and that in the magnetic propulsion systems any manipulation of time has exactly the same function as the utilization of internal energy has in the mass circulating propulsion systems. Therefore, showing time as the third energy carrier in the magnetic propulsion systems in Table B1 makes this table symmetrical for all three major types of working media.

The interpretation of time resulting from the Concept of Dipolar Gravity opens new possibilities for magnetic propulsion systems. It shows that technical devices can be completed which are capable of altering the "normal" elapse of time. Although in the material world we are only able to pass through time in one direction and with a speed predefined in advance, in the counter-material world the elapse of time can be accelerated, slowed down, stopped or even reversed in the opposite direction. All such manipulations of time can be achieved through introducing alterations into the sequence of execution

commands in the control signals issued by the software models of the selected objects. The introduction of such alterations will involve very sophisticated magnetic phenomena, which are much more complex than those for mechanical telekinesis. But after technology becomes more advanced, manipulation of time will become as simple as the manipulation of heat or the level of ionization is at present.

The first devices allowing for alterations of the "natural" elapse of time will appear when the Magnocraft of the second generation obtains the additional capability of operating in the time travel convention. In this way the Magnocraft of the third generation, also called the Time Vehicle, will become operational. We should expect the prototypes of Time Vehicles to appear in about 100 years after the first Teleportation Vehicle is completed - see Table B1. This most advanced generation of the Magnocraft will be capable of operating in as many as three conventions, i.e. magnetic, teleportative, or time travel. Of course the vehicles' crews will decide which one of these conventions should be activated in a particular situation. The Time Vehicle will allow its crew to travel not only through space but also through time. Time travel will therefore be possible in all directions, allowing for fast movement into the future, as well as the shifting of time back to the past.

The flight characteristics and phenomena utilized during the operation of the Magnocraft of the third generation will significantly differ from those characteristic of the Magnocraft of the first and the second generations. For example, the Magnocraft of the third generation (Time Vehicles) instead of moving can just disappear from (or appear at) a given place, and can also alter the natural elapse of time for chance witnesses. When observed during flight, they will be surrounded by perfectly round spheres of excited space in which the magnetic equivalent of internal energy is roused at a higher level. The diameter of these spheres will be equal to about two outer diameters of a vehicle hidden inside, i.e. around 9 metres for the smallest Magnocraft type K3. The spheres will emit orange-red or blue-green glows. Because of their appearance, and because the Magnocraft's body that these spheres house inside will be hidden from the eyes of observers, some witnesses of Time Vehicles who have no knowledge of the Magnocraft's theory may interpret them incorrectly as ball lightning.

Numerous technical versions of the Time Vehicle can also be built - the blueprints for three of these are presented in chapters G, H and I. It should be mentioned here that components of the personal version of the Time Vehicle will probably also be inserted surgically into bodies, in the manner which in subsection B6.3 was described for the personal version of the Teleportation Vehicle. In this way, the personal version of the Time Vehicle will become immediately available whenever it is needed, and can not be removed when its user is stripped of his/her clothes.

Time Vehicles provide their users with numerous advantages and capabilities. The versatility of these advantages makes it impossible to fully review or even list them here. But one ability of Time Vehicles deserves our special attention. We will call it the "state of suspended animation". This state can only be observed by someone whose time elapse is accelerated by a Time Vehicle, so that the events he/she experiences take much longer than the length of time that actually elapsed around this person. To better explain this state of suspended animation, the following example is given. Let us imagine that the reader is at this moment in the middle of a busy office, and that he/she is unexpectedly visited by users of a Time Vehicle. In order to remain unnoticed while discussing the matter they have come about, the visitors change the speed of time. They accelerate the lapse of their own and the reader's time, leaving the time of the rest of the office to elapse at its normal speed. Therefore, while for the entire office only a few microseconds passes, the reader experiences events that may occupy several hours. In this way no one else has a chance to notice the visitors' presence, while the reader participates in a long conversation with them. While having this talk, he/she would be surprised to notice that everything in the office appears strangely suspended in motion: the boss, just coming through the door, has one leg lifted in the air, looking grotesque standing on the other; the fast typist is frozen motionless with fingers suspended above the keys; the water that someone pours freezes half-way between the teapot and a cup; the paper ball thrown by a colleague suspends a

few centimeters above the rubbish tin. When the visitors finish their mission and depart, everything rapidly returns to normal. All the events described above continue their course from the point at which they were suspended. The only record that anything at all occurred remains in the reader's memory (if this memory is not intentionally erased by the departing visitors) and in his/her personal watch, which together with the reader's body, should also be accelerated in time.

The state of suspended animation is only the first of numerous advantages offered by Time Vehicles in comparison to conventional or teleportative means of travel. Another very important example is the "one way trip" advantage. This particular capability of Time Vehicles depends on the completion of physical travel in one direction only, i.e. to a chosen destination, whereas the return trip is obtained not by means of actual travel, but by shifting time back to the point when the whole trip began. Technically such "one way trips" are completed by utilization of the definition of time provided by the Concept of Dipolar Gravity and quoted in the first paragraph of this subsection. In order to understand what the definition "time is the flow of execution control through our counter-material (software) duplicates" means, perhaps a comparison of our counter-material duplicates with contemporary real-time computer programs can be useful. This comparison says that the elapse of time is equivalent to the execution of operations in such computer programs. As we know, in a computer program we may return to any point of execution simply by placing a "label" at the beginning of a given sequence of operations, and then by completing an unconditional jump to this label. The same happens with the Time Vehicles. They label a certain point in someone's execution sequence (i.e. a certain point in time), and then they execute the shift of this person's execution control back to that label. The person whose software model is subjected to such a process perceives it simply as the shifting back of time. Therefore, if some advanced creatures who have a Time Vehicle at their disposal wish to take a particular person for a trip, they only need to attach a "label" to his/her execution sequence and then - when the trip is completed - instead of traveling back with this person, they simply shift his/her execution control to that label.

The "one way trip" capability of Time Vehicles allows for an abduction which takes up no period of time. In this abduction a chosen individual is taken on a journey which, regardless of the duration, finishes at exactly the same time as it started. The occurrence of such an abduction would be denied by investigators, as acknowledging it would contradict the most fundamental theories of contemporary science (which assume that it is the time that flows, whereas we stay motionless within this flow). Therefore, it is possible that some people experienced such abductions, but because their memories have been erased at the point of return, neither they nor anyone else are able to have any knowledge of the events that occurred. Even if sometimes the final memory erasure may fail or is incomplete, the incredible reports of abductees are not taken seriously as no-one is prepared to believe their claims of having visited distant planets from other stars, while people close to them had insufficient time to blink their eyes. Especially as the person who tells the story explains with details the trip in one direction, but is unable to explain how he/she returned!

If trees were the most advanced life form on Earth and could develop intelligence, most probably they would speculate about the possibilities of ordinary travel. But without knowing the laws involved in moving from place to place, their speculations would have no limit and would probably be full of paradoxes and unreal ideas. Studying these speculations one perhaps could learn that a tree which moves to the opposite hemisphere must die, because its roots would be pointed into the air while its leaves would be submerged in soil, or that a tree which moves into a different location must simultaneously exist in two realities (i.e. the old and a new one). The same happens with our present ideas on time travel. Because we are not aware of the laws and restrictions that govern this means of travel, we tend to misuse our imagination and impose no limits on our speculations. In this way various science fiction creators introduced such inconsistent ideas as "grandparent paradox" or parallel realities. (The grandparent paradox considers the situation of a time traveler who kills his/her own grandparent. After coming back to his/her own time, this traveler could find himself/herself to be non-existent. The idea of parallel realities claims

that every action taken during time travel initiates another reality whose course of events would differ from realities already in existence.) However, it should be emphasized here that the technical restrictions imposed on time travel eliminate dilemmas such as those listed above. To understand these restrictions it is enough to apply to time travel the "analogy of shifting a program control" (i.e. to consider time travel as equivalent to the shift of execution control within a contemporary computer program). In such an analogy "time is motionless, but we move through it". In turn such motionless time eliminates the chance for parallel realities and for grandparent paradox, similarly as shifting control in a stationary program is unable to change the operations described by this program (although it can change the data-type outcome of its processing). Moreover, such an analogy easily explains the principles involved in slowing and accelerating the elapse of time (i.e. such actions are similar to living with a "normal" speed, except that the execution control passes slower or faster through our counter-material software). This analogy indicates also that in order to instantly shift time backward or forward, an appropriate time "label" is needed (like a control label in contemporary computer programs). Therefore, to put such a "label" in place it is necessary for someone to already live "normally" through the time points in which these labels are placed. This practically means that we are unable to shift time beyond someone's life-span, and that all our shifts can be achieved only between time points which we have already reached in our preceding life and labeled as time travel destination points for future use.

The completion of the Time Vehicle will conclude the development of the numerous Magnocraft-based spaceships. The characteristics of all these spacecraft presented here show that our present knowledge of what we call the "magnetic field" can be likened to the touching in the darkness of the tip of a mountain of gold, and not realizing that within a hand's grasp there is immense wealth waiting to be discovered.

Direction of the development of working mediums (perfecting of devices through time elapse)									
Circulation of 3. magnetic field force lines	3.	3. Time + 2.	?	Time vehicle: 2300	?	?	 Future times		
	2.	2. Self-mob.+1.	Telekin.motor:2036	Telekin.magno:2200	?	?	 V		
	1.	1. Force inter.	Electric mot.:1836	Magnocraft: 2036	Pulsatory motor	Star-shaped ship		
Circulation of 2. mass	3.	3. Heat + 2.	Steam engine: 1769	Jet propulsion:1939	Inter.comb.eng:1867	Space rocket:1942	 		
	2.	2. Inertia + 1.	Pneumatic mot:1860	Hovercraft: 1959	Newcomen engin:1712	Airscrew: 1903	 The present		
	1.	1. Pressure	Windmill: 1191	Sail: around 1390	Vidi's box: 1860	Balloon: 1863	 time and level		
Circulation of 1. force	3.	3. Elasticity+2	Bow-inertial drill	Catapult	Spring:around 1500	Ball	 V		
	2.	2. Inertia + 1.	Potter's wheel	Battering ram	Flywheel	Centrifugal sling			
	1.	1. Force	Crank	Rafting pole	Drum treadmill	Wheel			
E r a medium	Type of working medium	Ge ne ra ti on	Energy carrier	Device (kind)	Motors of 1 pair (relative motion)	Propulsors of 1 pair (absolute m.)	Motors of 2 pair (relative motion)	Propulsors of 2 p. (absolute motion)	 Prog- ress
			Level of perfection	First motor-propulsor pair: transferer separate from working space	Second motor-propulsor pair (energy transferer within the working space)				

Table B1. **The Periodic Table completed for the propulsion systems.** This Table was constructed by listing along its vertical axis the phenomena utilized in the operation of successive generations of propelling devices, and by the listing along the horizontal axis all possible types of propelling devices that utilize these phenomena. The symmetry and repetitiveness in the internal structure of this Table give it enormous potential for prediction, as it allows for the transfer (extrapolation) of vital attributes between various devices. Its empty spaces indicate the devices still waiting to be invented. By analysis of the location of these empty spaces (i.e. their row and column) it is possible to determine the future operation and characteristics of devices yet undiscovered. The invention and development of the Magnocraft was the direct result of the completion of this Table.

A remark regarding Vidi's box: the "Atmospheric Clock" utilizing for propelling purposes a version of the Vidi's box is exhibited in Clapham's Clock Museum, Whangarei, New Zealand. The French makers of this clock claimed it was "as close to perpetual motion as you'll ever get".

Direction of the development of working mediums (perfecting of devices through time elapse)										
	Propulsion systems with	3.	1.Dislo,2.Acc. 3.Deformation							Future times
	3.circulation of magnetic fields	2.	1.Dislocation 2.Acceleration	Telekinetic motor (2030)	Free energy devices					
		1.	1.Dislocation of mag.field	Electric motor (1836)	Electricity generator:1831					V
									
	Propulsion systems with	3.	1.Uni.flow 2.Accel,3.Heat	Inter. combus. engine (1867)		MHD generator (1946)		Thermo-electric cell (1922)		^
	2.circulation of mass: energy comes from mass motion	2.	1.Unif. flow 2.Acceleration	Pneumatic motor (1860)						Present time
		1.	1.Uniform flow of work.med.	Windmill (1191)						
	Propulsion systems with	3.	1.Mot. 2.Accel 3.Deformation	Spring (ar. 1500)				Transducer:1919 piezo-elektr.		V
	1.circulation of mechanical force	2.	1.Uniform mot. 2.Acceleration	Flywheel			Machine by Wimshurst :1878			
		1.	1.Uniform motion	Drum treadmill			Van de Graff Machine (1935)	Electrophorus Volta (1775)		
E	Type of working medium	Ge	Energy carrier	Device (kind)	Motors (relative motion)	Generators (motion of el.)	Aggregate generators	Electrostatic machines	Cells,batteries accumulators	Prog- res
		ti	Technical solution		Expresses combination of energy carrier on inlet and energy carrier on outlet					

Table B2 Periodic Table showing power producing devices whose operation utilizes various forms of motion. Such Tables are very similar to "Mendeléev's Periodic Table of the Elements", but instead of chemical elements they list technological devices. Rows distinguished along the vertical axis of this Table define the subsequent attributes of the motion utilized in the operation of each successive generation of the power producing devices. This vertical axis also represents the elapse of time. Columns placed along the horizontal axis reveal the types of devices whose operation utilize each subsequent set of these attributes. Empty boxes in the Table indicate the devices still waiting to be invented. By analysis of the location of these boxes/spaces (i.e. their row and column) it is possible to determine the future operation and characteristics of power producing devices yet undiscovered.

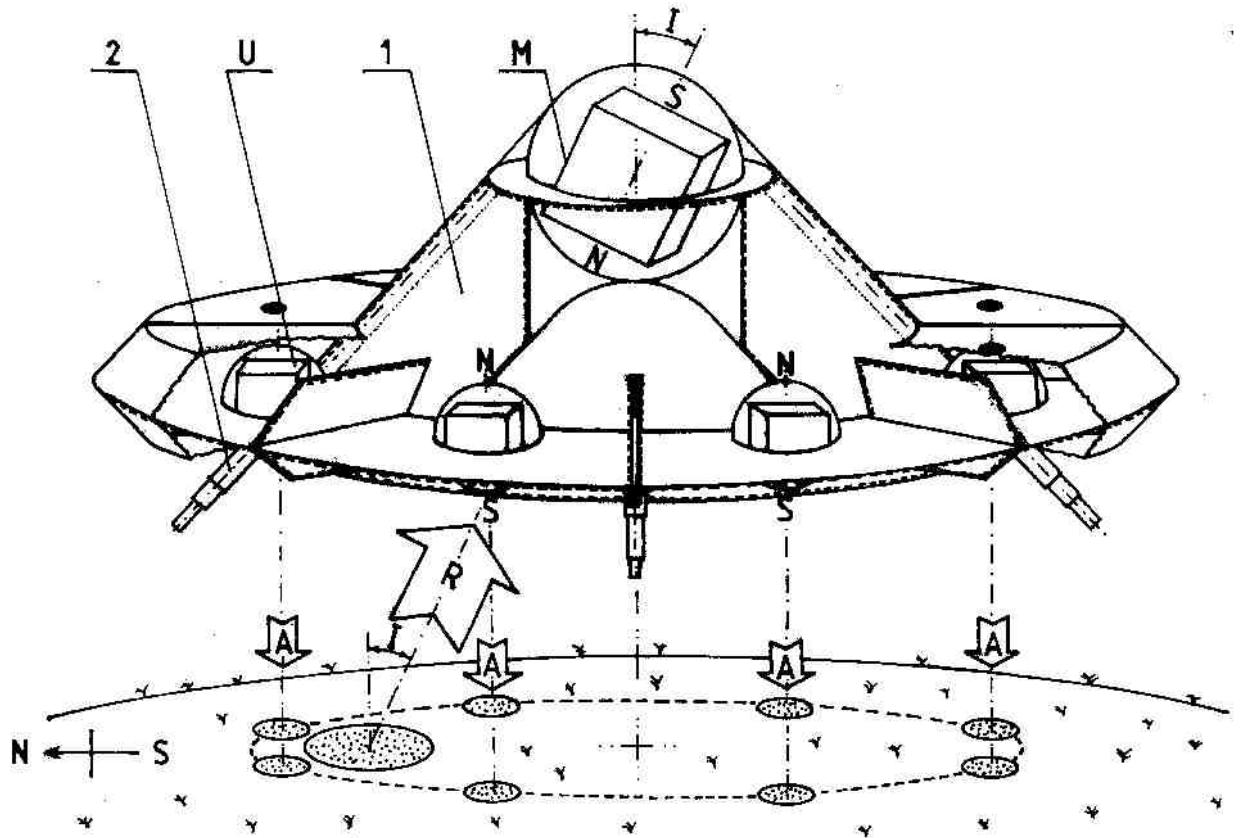


Fig. B1. A side view of the smallest Magnocraft, type K3, illustrating its internal design, main components, and operation. The vehicle has the shape of an inverted saucer. In its centre a main propulsor is suspended, and in a horizontal flange surrounding the base a number of side propulsors is located. Between them the ring-shaped crew cabin (1) is placed. The main propulsor (M) produces a repulsion force "R" through interaction with the environmental magnetic field (which can be the field of the Earth, Sun or Galaxy). The eight side propulsors (U) attract the environmental magnetic field, thus producing stabilizing forces "A". Flights and manoeuvres of the Magnocraft are achieved through a combination of the three following actions: (1) changing of the relation between forces "R" and "A" - this causes the ascent, hovering, or descent of the vehicle; (2) changing of the inclination angle "I" of the central propulsor magnetic axis - this causes the horizontal flights in a south/north or north/south direction; (3) spinning of the magnetic field around the vehicle's shell, thus activating the magnetic equivalent of the "Magnus Effect" that thrusts the Magnocraft in an east/west or west/east direction. The switching on/off of any of these modes of operation causes the magnetic, jerky flights of this vehicle, characterized by the following straight lines and rapid changes of direction without a radius. In this diagram, the front shell of a horizontal flange is removed to better illustrate the location of side propulsors (compare this vehicle with the vehicle in Figure G4). The edges of the walls, made of a material impermeable by a magnetic field, are indicated by a broken line. The edges of the walls which are made of a material permeable by a magnetic field are shown with a wavy line. During normal flights the Magnocraft is always oriented with its base perpendicular to the local course of the environmental magnetic field. But this vehicle is shown as if approaching to land on flat ground, i.e. its base is parallel to the ground whereas the telescopic legs (2) are extended. During landing, the powerful magnetic field yield from the propulsors of this vehicle scorches a ring of vegetation, as marked in this diagram, like the rays of a microwave oven. For the K3 type of Magnocraft, this ring has a nominal diameter $d=D/2=3.1$ metres.

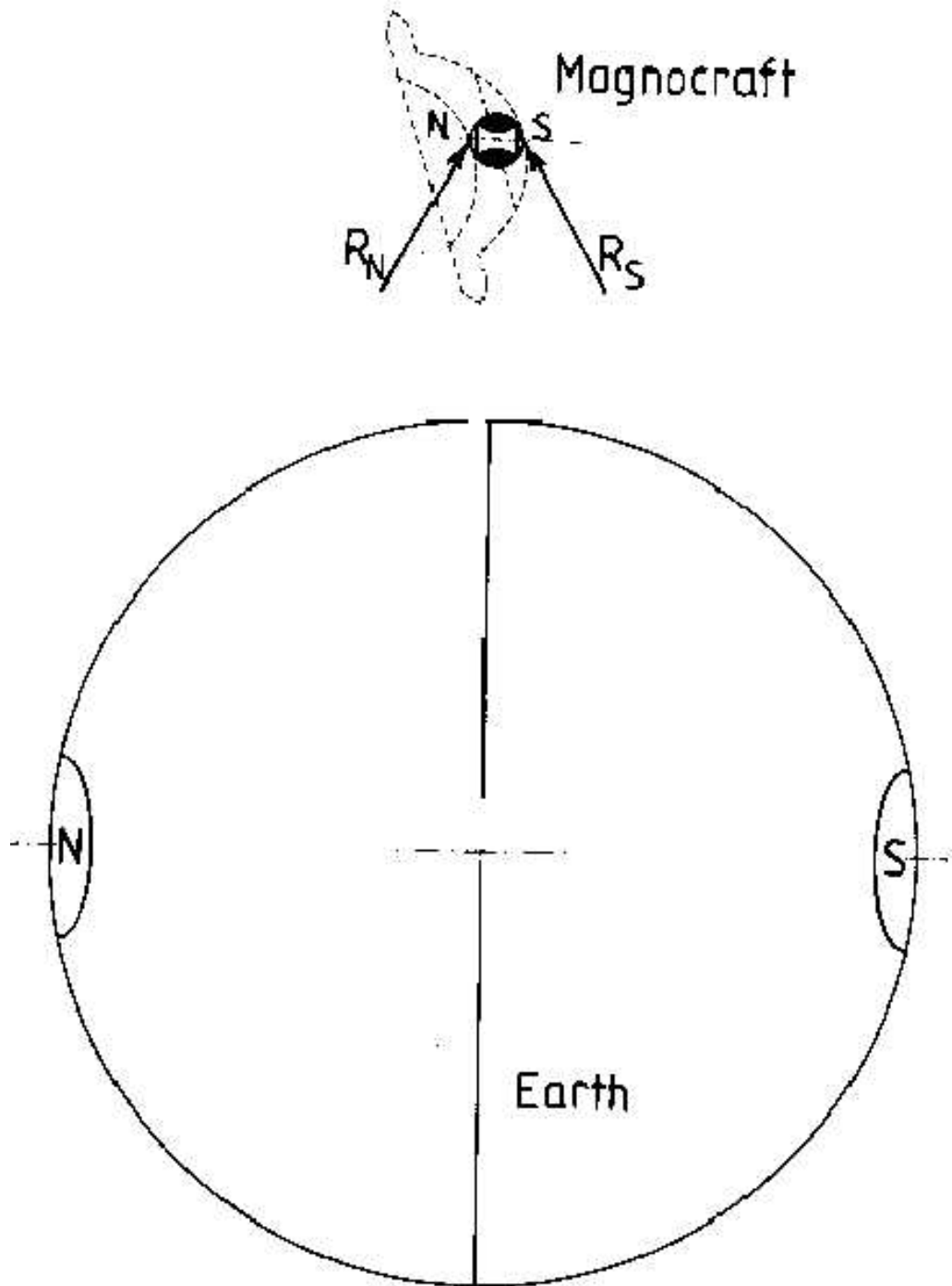


Fig. B2. The Magnocraft's orientation during flight. This orientation optimizes the vehicle's interactions with the force lines of the environmental magnetic field. Therefore a solo flying vehicle favors turning its base perpendicularly to the local course of the environmental magnetic field (i.e. the field of the Earth, Sun or Galaxy). While flying above the Earth's equator, the main propulsor of the Magnocraft has its magnetic axis positioned tangentially to the Earth's magnetic field, and the magnetic poles of this propulsor are directed towards the like poles of Earth (i.e. N of the propulsor to the N of Earth, and S to S). Thus, this main propulsor forms significant repulsive forces "RN" and "RS" which lift the spacecraft. The extremely large effective length of the magnetic bubble produced by the vehicle's propulsors is appreciable even when compared with the diameter of Earth (see subsection G1.2). Therefore, in spite of the small physical size of the Magnocraft, its magnetic dimensions can be illustrated by the proportions from the above diagram.

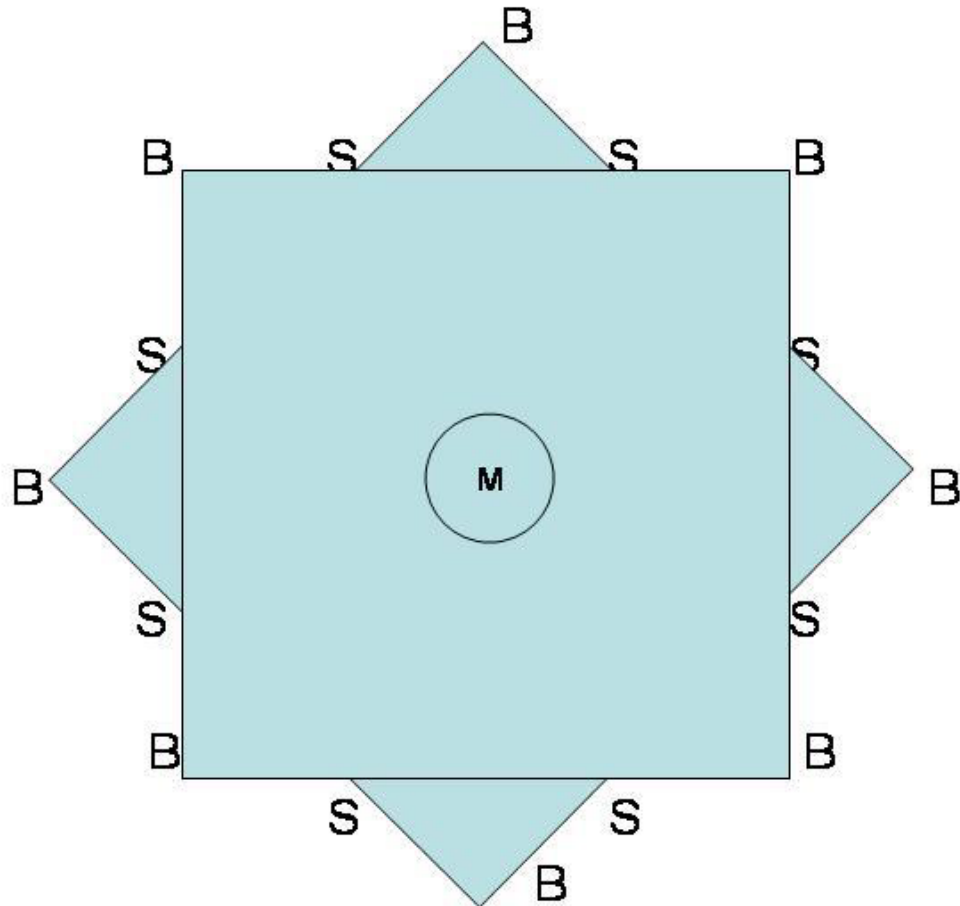


Fig. B3. A general idea illustrating the location of propulsors in a star-shaped space ship. The appearance of this vehicle resembles the eight-pointed star (i.e. similar to one shown above and composed of two squares). Three different classes of propulsors are utilized for the propulsion of this space ship. In its centre a single main propulsor (M) is mounted. Between the arms there are eight side propulsors (S) oriented in opposition to (M). The mutual co-operation between the (M) and (S) propulsors produces a whirling magnetic circuit similar to the one formed by the Magnocraft. On the peak of each arm there is an additional balancing propulsor (B) whose polarity copies that of the main (M) propulsor. The balancing propulsors (B) cause each side propulsor (S) to be surrounded by three different propulsors of opposite orientation (i.e. by two (B) propulsors and one (M) propulsor). Therefore each side propulsor can create its own whirling magnetic circuit, which will interact with the whirling circuit produced by the main propulsor in co-operation with the side ones only. In addition, the appropriate synchronization of field pulsations in the balancing (B) and side (S) propulsors can force the outputs from balancing propulsors to circulate also. The existence of these three classes of propulsors allows the vehicle's magnetic field to form a variety of dynamic states. This in turn is a source of numerous operational advantages, some of which can be extremely useful if the vehicle is used as a space battleship. As an example, it will have the ability to penetrate solid objects in the path of the craft without a decrease in its speed, and the ability to manoeuvre with internal balancing of the reaction torque. Thus the star-shaped space ship can be built for space exploration purposes and deployed during a short period following the completion of the Magnocraft. But the development of Teleportation Vehicles will make this space ship obsolete.

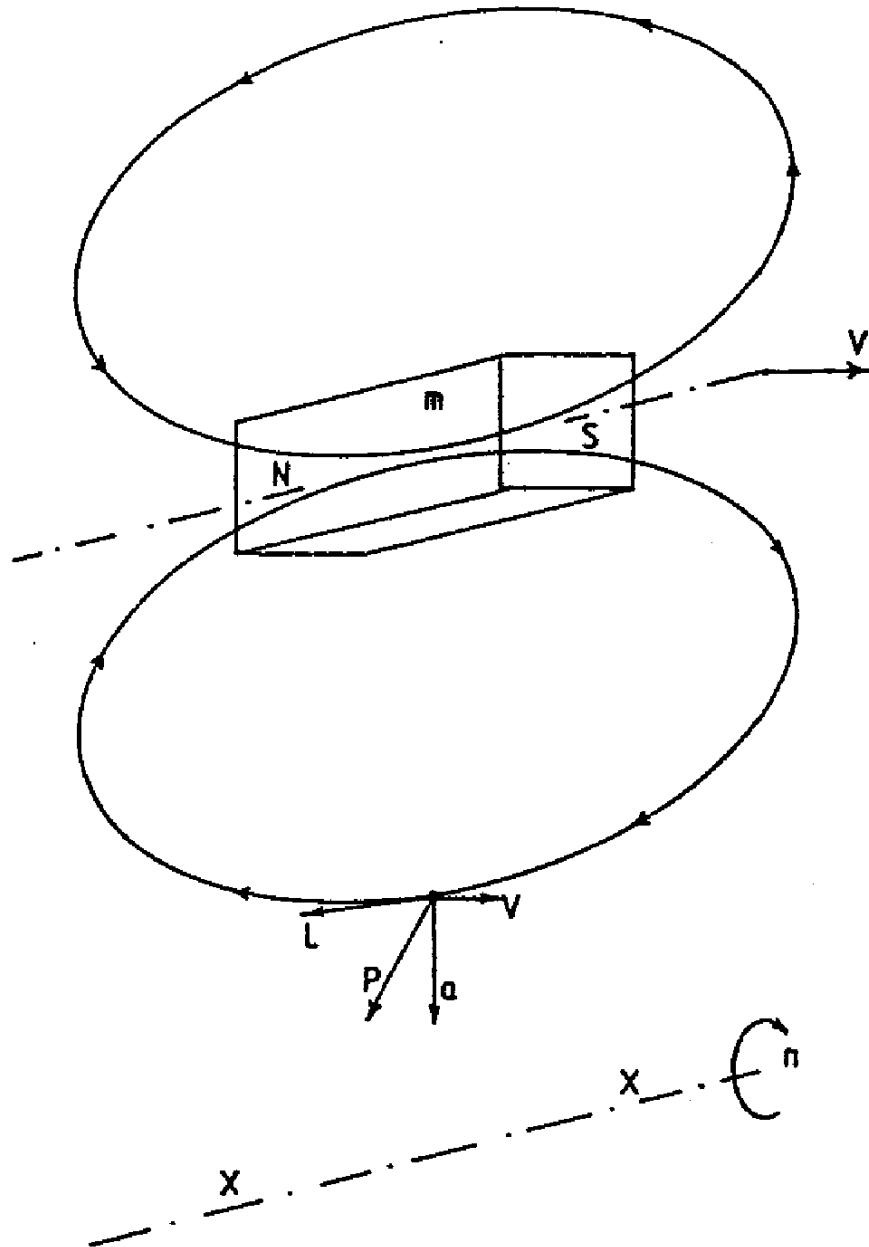


Fig. B4. A diagram that shows the direction of an elementary telekinetic force (P) created by the spinning of a magnet "m" around the axis "x-x". For the situation shown on this diagram, this direction seems to be the vectorial sum of a centripetal acceleration (a), linear speed (V), and the local direction (L) of magnetic field force lines. However, the direction of this force (P) reverses into a direction that is exactly opposite after the reversal of the direction "n" of the magnet's revolutions. Moreover, this direction also reverses after the polarity of a magnet "m" was reversed (i.e. after directing its pole "N" to the side where its pole "S" is now directed). The above shows that the direction of force (P) depends in a complex manner on the direction of vectors (V), (a) and (L), and does not represent only a vectorial sum of these. (During an analysis of this diagram, it should be noted that because of the author's specialization in propulsion systems of flying vehicles, all his publications define the "N" magnetic poles as the pole that prevails at the north geographic pole of Earth, or at the end of a magnetic needle pointed south.)

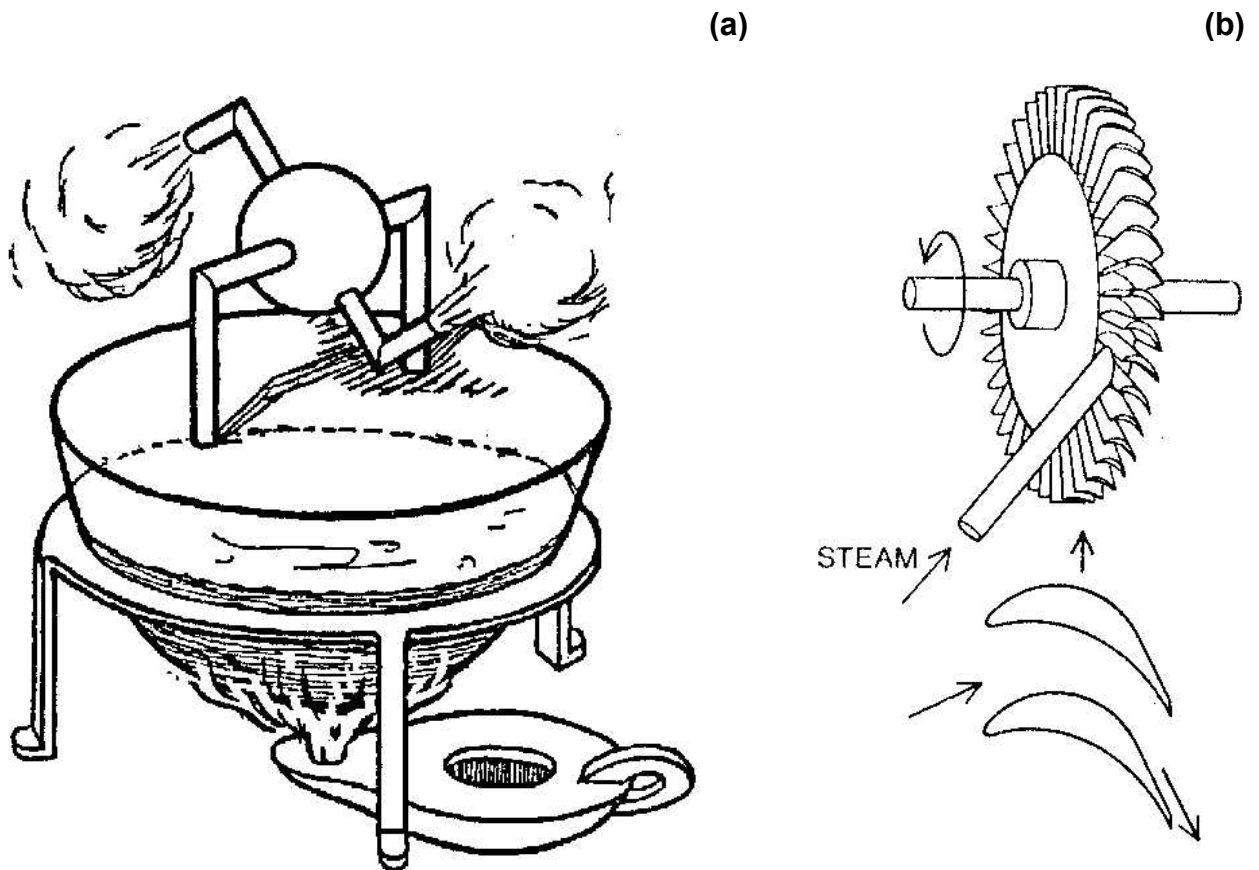


Fig. B5. The evolution of a technical idea, from its conceptual formulation to a viable technological implementation. Around 130 B.C. Hero of Alexandria invented the aeolipile, shown in part (a). It was as late as 1884 when an English inventor, Charles Algernon Parsons, built the first steam turbine in which the principles of the aeolipile are implemented efficiently enough to produce useful mechanical power - see part (b). The efficiency of current telekinetic devices is equivalent to that of the aeolipile. So before these devices become commercially useful, their efficiency needs to be transformed into the equivalent of that of steam turbines.

(a - left) The operation of the aeolipile. It utilizes only jets of expanding steam that escape from two hollow arms, thus not utilizing the energy of pressure, impact, and temperature of the steam. Because of the inefficient conversion of energy carried in the escaping steam, this device produces mechanical energy that scarcely covers its own friction. Therefore, the rotation of the aeolipile (similar to the motion of current telekinetic devices) demonstrates only the correctness of its principles, but cannot supply any useful power.

(b - right) Principles underlying the operation of steam turbines, demonstrated with only one of several rotors. The blades of these rotors deflect the jet of steam, intercepting its inertial impact. In addition, as the steam passes between the blades, it expands and accelerates, propelling them with reaction forces similar to those formed in a rocket outlet. After the steam leaves a particular rotor, it is intercepted by the fixed blades of a stator and redirected to strike the next rotor. Thus, such a cascade conversion of the steam's energy in turbines is efficient enough to produce an excess of mechanical power that can be utilized.

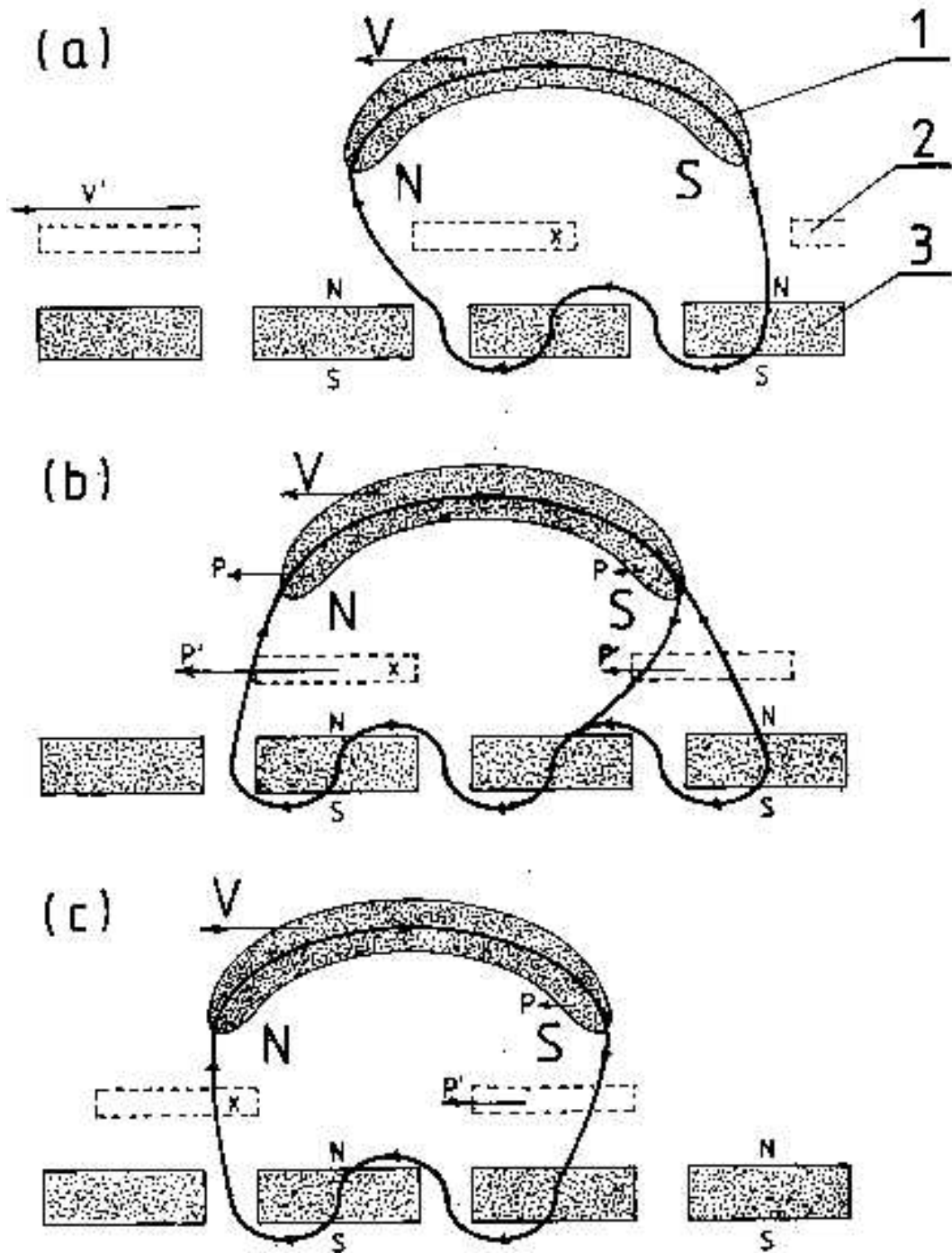


Fig. B6. Three subsequent stages (marked a, b and c) of the operation of the Johnson telekinetic motor. A description of these stages is provided in the content of this monograph. The design and operation of the Johnson motor are originally published in article [4] and also are subject to USA patent no 4,151,431. In the original version, this motor contains only two parts, i.e. the stator (3) and banana-shaped magnets of the Telekinetic Effect activator (1). Its efficiency slightly exceeds 100%, thus hardly sufficing to cover the friction of its relatively moving parts. Therefore, an additional part has been added to this diagram, i.e. the rotor (2) that does not exist in the original device. The purpose of this rotor is to absorb more efficiently forces P' of the Telekinetic Effect. The rotor (2) can also be used for the generation of an electric current (similarly to the rotor from the N-Machine) thus transforming the Johnson motor into a telekinetic aggregate.

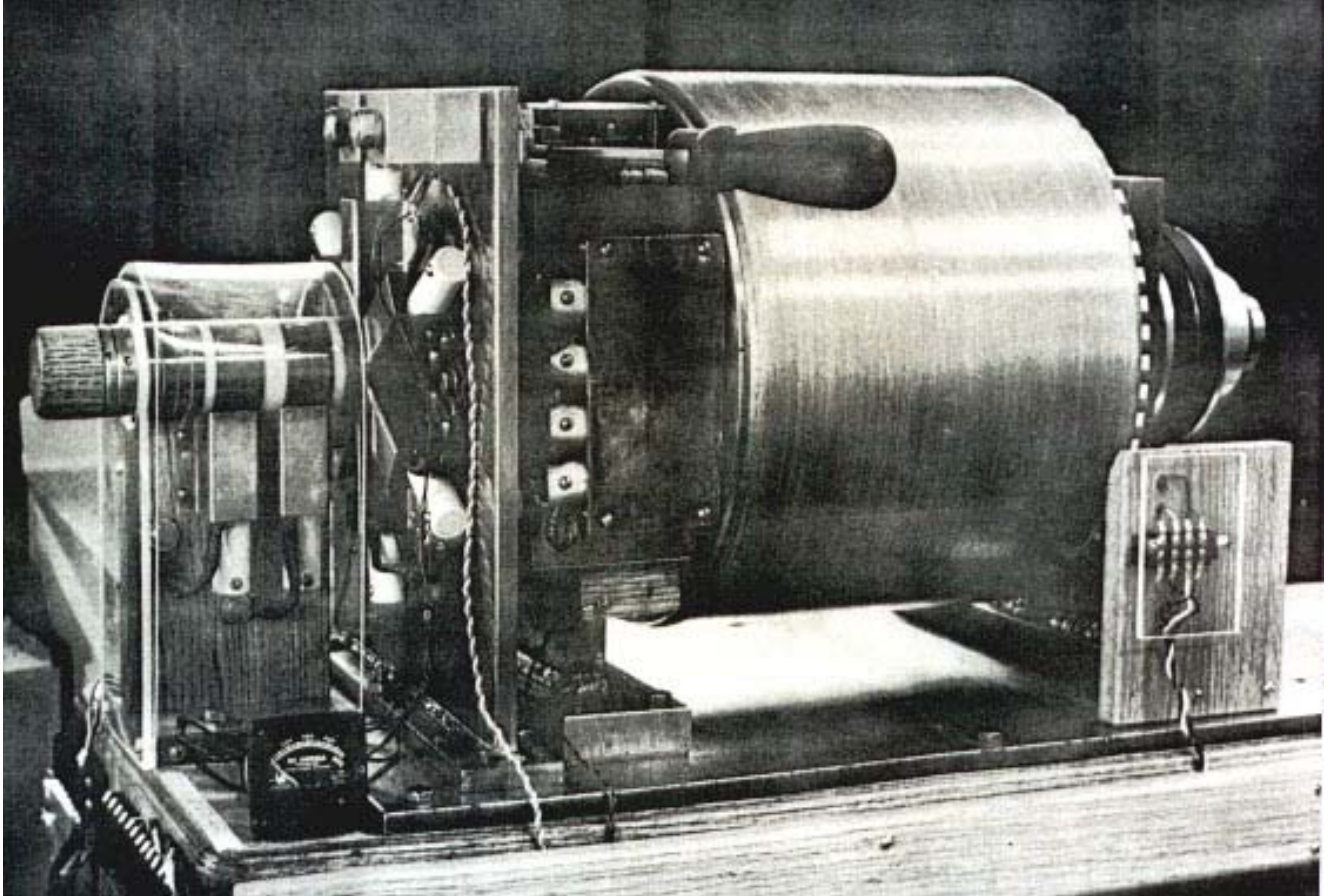


Fig. B7. A photograph of the operational prototype of a telekinetic generator called the "N-Machine". This generator was invented by Bruce DePalma, and is being developed by the DePalma Energy Corporation (1187 Coast Village Road #1-163, Santa Barbara, CA 93108, USA) in co-operation with the Indian Nuclear Power Board, Karwar, India. The overall efficiency of the prototype of this generator, which is already operational, is 104.5%.

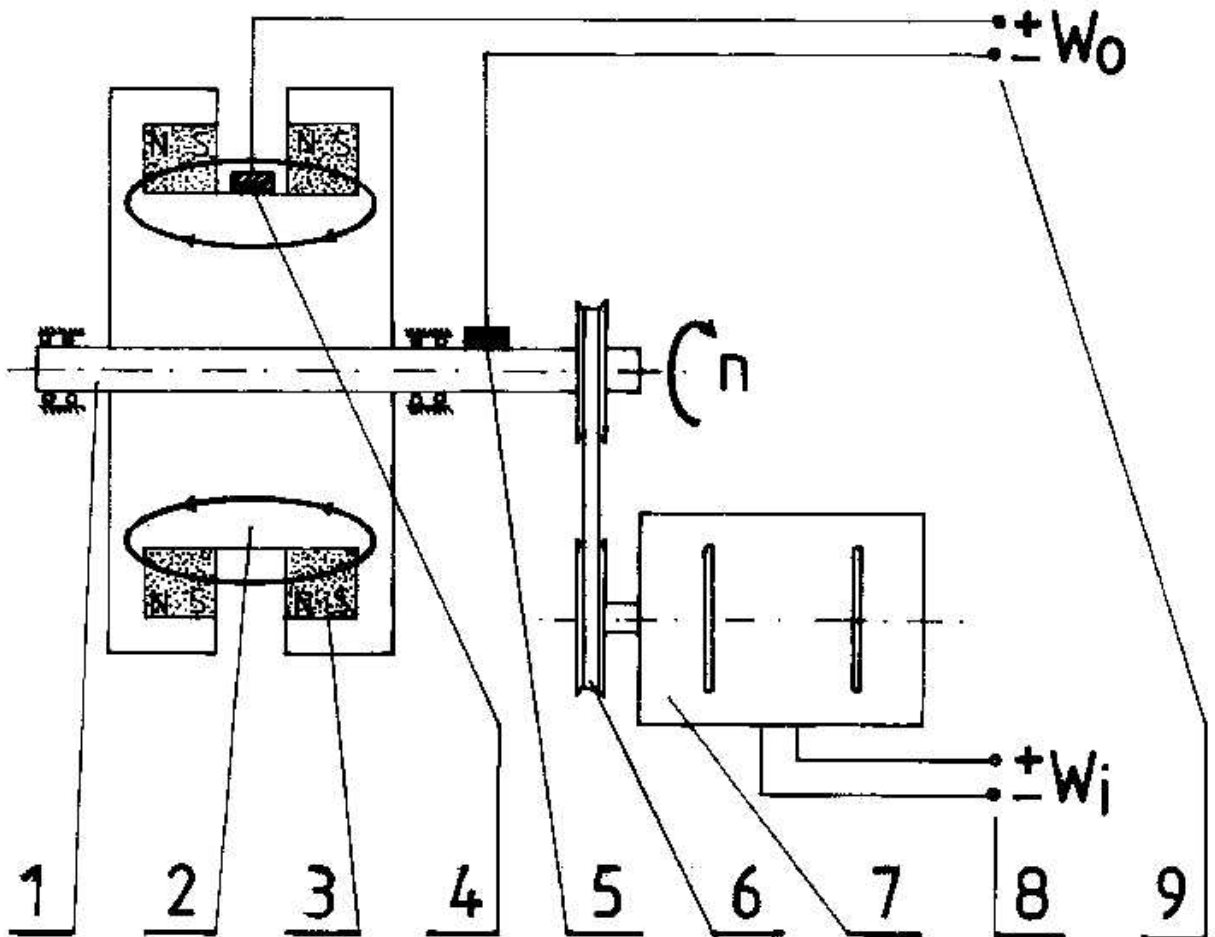


Fig. B8. A diagram that illustrates the design and operation of the N-Machine. This DC generator consists of a shaft (1) made of conductive metal, on which a disc-shaped bronze rotor (2) is assembled. Inside the rotor permanent magnets (3) were placed which yield a field of about 6750 gauss. Brushes (4) and (5) collect the electric current which is produced and supply it to the output collector (9). The propelling electric motor (7) is supplied with electricity through the input collector (8). This motor gives about $n=2600$ rev/min, which are transmitted through a belt transmission (6) and the conductive shaft (1) into the bronze rotor (2). The centripetal acceleration, caused by the spinning of this rotor, releases the Telekinetic Effect. The forces of this Effect act on free electrons present in the rotor (2), forcing them to flow towards the centre of rotation. The brush (5) touching the conductive shaft (1), and brush (4) touching the periphery of the rotor, collect the flow of current thus formed, and supply it for use.

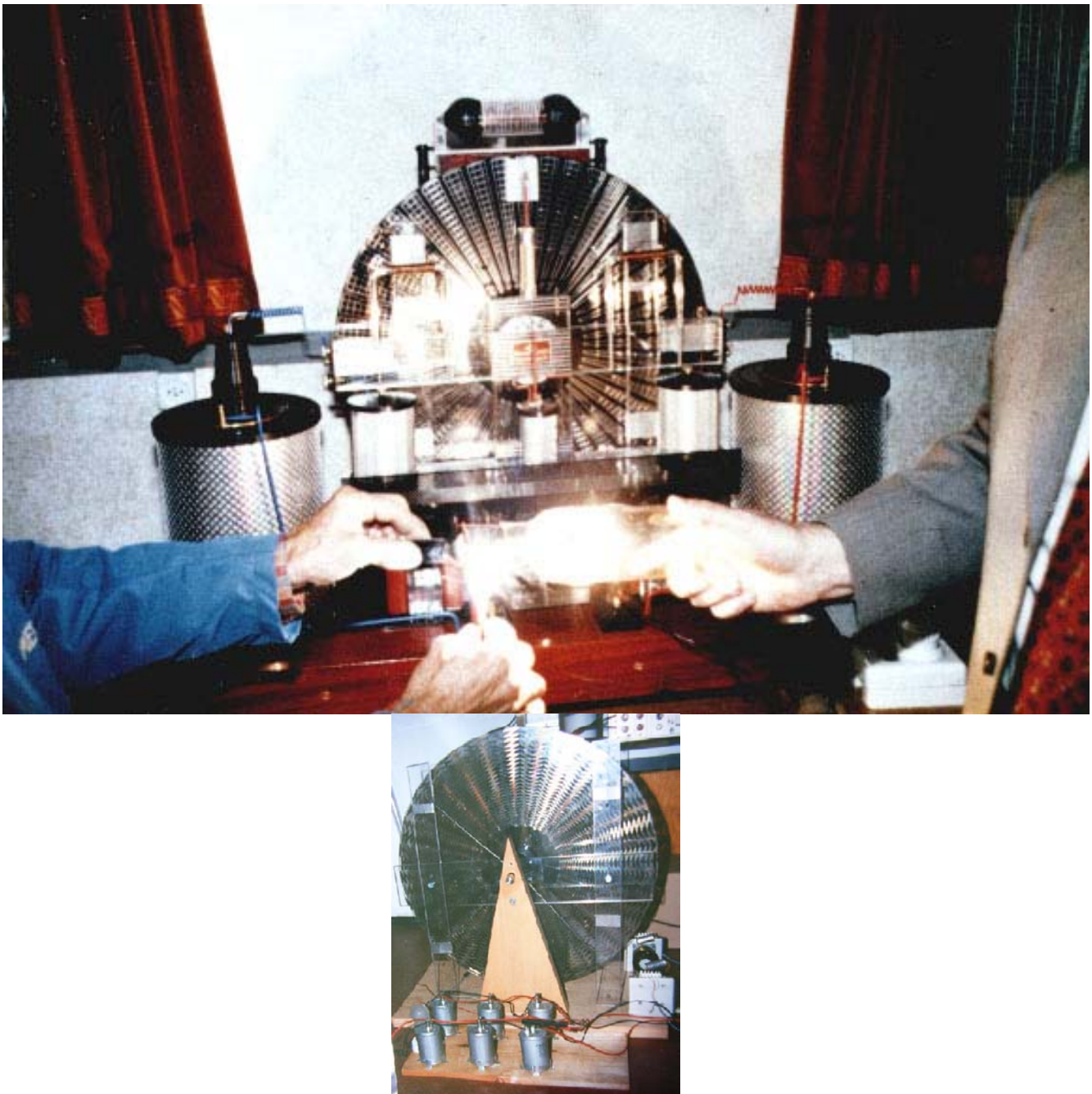


Fig. B9. Photographs of the telekinetic aggregate called the INFLUENZMASCHINE whose operation is based on the principles of Wimshurst's electrostatic machine. Pictures and video recordings presenting this machine in operation are available from the International Research of Natural Resources (P.O. Box 765, CH-1211 Geneve 1, Switzerland), or from two groups working on its development (i.e. METHERNITHA and VENE). Its description is contained in an article published in the West-German magazine Raum & Zeit, no 34, Juni/Juli 1988, page 94. The weight of the latest operational prototype of this machine is around 20 kg. Its discs rotate with speeds of about 80 and 40 rev/min. Developers report that it produces up to 3 kW of electric power with a fluctuating voltage of about 700 to 900 V. A by-product of its operation is the ionization of the surrounding air and the production of ozone. Except for quick starting by hand, the continuous operation of this machine is self-sustained by its spontaneous absorption of heat from the environment, and thus it does not require any external supply of fuel or energy. The INFLUENZMASCHINE is the world's first free energy device, which at the present stage of its development is ready for some commercial applications and is even offered for sale.

(upper) A direct current aggregate of the METHERNITHA group.

(lower) Assembly line for alternating current aggregates of the VENE group.

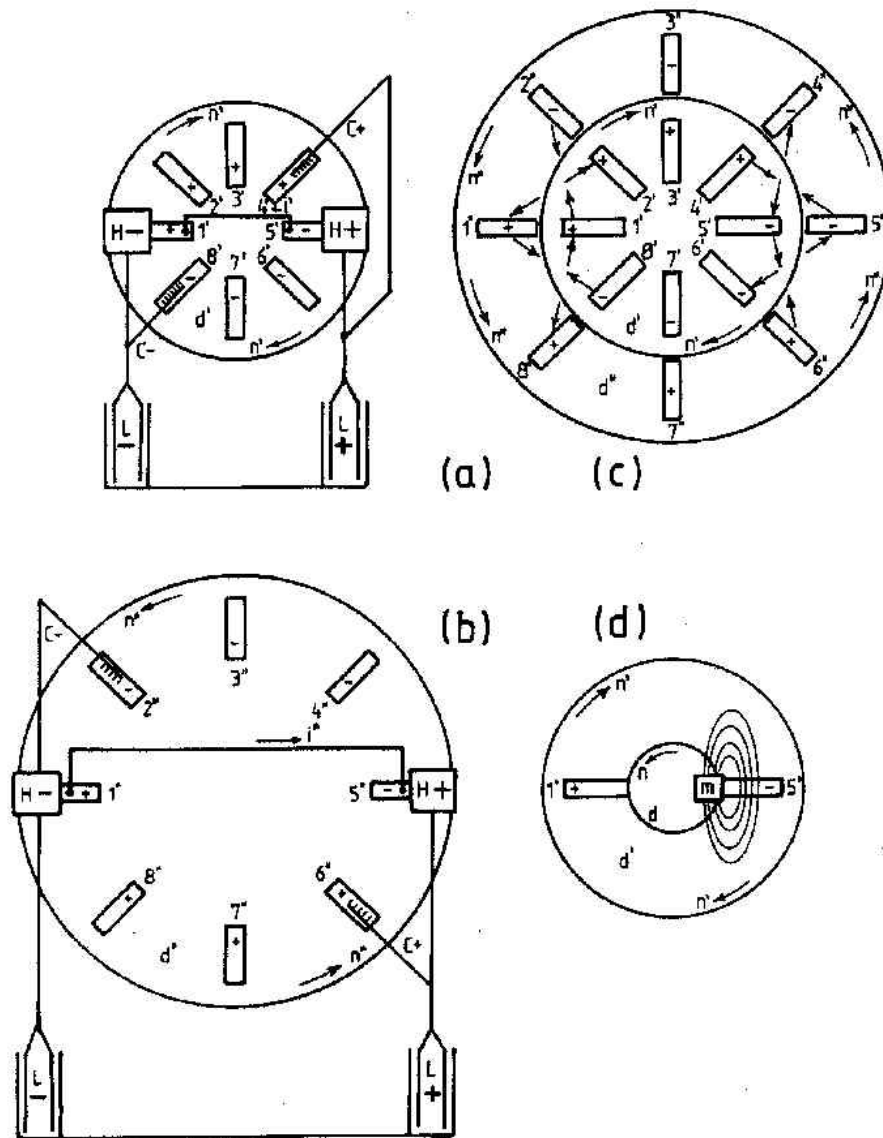


Fig. B10. The operation of the INFLUENZMASCHINE with two discs, which produces a DC current, reconstructed (or rather re-invented) by the author. Explanations of this operation are provided in the content of this monograph. Symbols: $C+$, $C-$ = collecting combs connected to the inner coating of Leyden jars; d = a small disc containing a magnet (m) that is used for the release of the Telekinetic Effect; d' = front disc made of a good electric insulator (e.g. glass); d'' = back disc identical to the front (d') one (in order to increase the clarity of this illustration this back disc is shown as having a larger diameter); $H-$, $H+$ = square induction heads that electrostatically influence the machine's electrodes; i' , i'' = motionless bridging conductors; $L+$, $L-$ = two Leyden jars which collect electrostatic charges from the electrodes of both discs (users are plugged to the wires that are connected to the inner coatings of these jars); n , n' , n'' = direction of the rotation of each disc; 1, 2, ..., 8 = numbers of the subsequent electrodes (this drawing shows 8 electrodes only, but each disc of the INFLUENZMASCHINE houses 48 separate electrodes); +, - = positive and negative electrostatic charges; ', '' = indexes that assign particular symbols to the front (d') or back (d'') discs.

(a) Principles of the inducing electrostatic charges in the front disc.

(b) Principles of the inducing electrostatic charges in the back disc.

(c) The operation of an electrostatic motor that sustains the continuous rotations of the INFLUENZMASCHINE's discs.

(d) Telekinetic generation of charges that restores their loss from friction.

Chapter C:

**EVEN IF ANTIGRAVITY EXISTED,
MAGNETIC PROPULSION WOULD STILL REMAIN
THE ONLY FEASIBLE ALTERNATIVE
FOR SPACECRAFT TRAVELING INTERSTELLAR DISTANCES**

If we take a realistic look at the possibility of interstellar travel, we will conclude that no propulsion systems applying the jet effect can be used for this purpose. This is because they dissipate their own mass when creating movement. So no matter how huge the propellant resources are that they have accumulated at the moment of starting, such a time must always come when their jet medium will be completely exhausted. The above is not a big problem when flying to the Moon. It can also be resolved for interplanetary travel along a carefully chosen and precisely checked trajectory. But it makes impossible any realistic approach to an interstellar return voyage. We must remember that in such a voyage there are a number of hazards involved, e.g.:

- unknown duration, which may even vary by a number of decades,
- unexpected traps (e.g. black holes, meteorites) waiting along its trajectory and at its destination,
- unpredictable forces, unknown phenomena, hostile civilizations,
- impossibility of any rescue when the crew is forced to rapidly spend the reserves of the propellant.

None of these hazards can be risked when the resources of the propellant are strictly limited.

When we logically exclude the possibility of using mass-dissipating propulsions, the only force (phenomenon) able to carry people to the stars is the repulsive interaction of two fields. The propulsion systems utilizing an interaction between fields will not dissipate their masses during a trip, and also their energy resources will be self-rechargeable. Hypothetically we can consider the possibility of building two such propulsion systems: (1) based on a magnetic field, and (2) based on a purely hypothetical field called "antigravity". Practically, however, after a detailed examination of both of these systems, we will see that only the realization of magnetic propulsion is feasible.

The name "antigravity" is assigned to a speculative field which is supposed to produce repulsive gravitational interactions in our set of dimensions. The possibility of the existence of such field is postulated by the concept of monopolar gravity to which contemporary science adheres (see subsection D1). But the Concept of Dipolar Gravity, newly introduced by the author in chapter D, definitely states that in our set of dimensions only a gravitational field prevails, whereas the field which represents a reversal of gravity (called here "counter-gravitational" field) is strictly limited to another, parallel set of dimensions (i.e. parallel world). The Concept of Dipolar Gravity compares the co-existence between the gravitational and counter-gravitational field to the co-existence of opposite poles in a magnet (i.e. they can not mix together). Therefore, the counter-gravitational field introduced by the Concept of Dipolar Gravity has in fact an entirely different interpretation from that of antigravity. Counter-gravity: (1) prevails in a set of dimensions separate from ours, and (2) its action is unable to affect objects contained in our set of dimensions. Because both concepts, i.e. the old concept of monopolar gravity and the new one of Dipolar Gravity, mutually exclude each other, only one of them can be correct. The deductions, evidence, and experimental proofs presented in chapter D reveal that the entire concept of monopolar gravity (so also the idea of antigravity derived from it) is false from the outset, and that the gravitational interactions

correspond to a completely different model defined by the Concept of Dipolar Gravity. This in turn produces conclusive confirmation that antigravity definitely does not exist. The non-existence of antigravity means also that antigravitational spacecraft can not be built.

The conclusive confirmation of the non-existence of antigravity, combined with the logical elimination of mass-dissipating propulsions, leave us with only one option for interstellar travel. This option is magnetic propulsion. The above conclusion introduces some consequences of enormous significance to our future. Let us review the most important implications that result from this:

1. If our planet was in the past, is at present, and will be in the future, the target for spaceships of a technical civilization originating from another star, the only propulsion that they could utilize for travel is that of magnetic propulsion (see chapters from part 3 of this monograph).

2. If men and women will ever travel to any star, they must use the Magnocraft.

3. Sooner or later our civilization must commit itself to the building of the Magnocraft.

In spite of the proof of the non-existence of antigravity presented in this monograph, when reading futuristic publications or popular books of "science fiction" one may obtain the strong impression that the most ideal propulsion man could create is an antigravitational spacecraft. Many visions of the future of our civilization abound with enthusiastic descriptions of what great prospects would be open to us if man masters a method of producing an antigravitational field. The fascination of this idea is so overwhelming that it has almost eliminated any rational approach to the consideration of a magnetic field as the potential medium for future propulsion. For this reason, at our present level of development such speculations about antigravity perform a very harmful function, as they dissipate our sparse intellectual resources and divert attention from that direction of research which may provide instant benefits.

The common attribute of the majority of descriptions concerning the use of antigravity is the speculation only of the positive aspects of this field, completely omitting even the smallest mention of its negative effect. As such, presentations of antigravity to date are unobjective, disseminating a false, one-sided picture and inclining towards unrealistic expectations. There is no excuse for approving such a situation, as the destructive consequences of the possible use of antigravity are evident at first glance. All the phenomena of our universe obey the same set of general laws, therefore application of these laws gives us a precise picture of what would happen if the building of an antigravitational spacecraft were possible. Confronting this objective picture with the image fostered in publications to-date shows that, even if antigravity existed, magnetic propulsion would still remain the only feasible alternative for spacecraft traveling interstellar distances.

The objective of this chapter is to disclose how unrealistic all speculations concerning antigravity are. For this, the author temporarily assumed that antigravity could be produced (although he knows for certain that antigravity does not exist at all). This assumption allowed him to: (1) define the expected properties of this field, (2) describe the most important dangers that the formation of an antigravitational field would introduce, and (3) explain reasons why the use of this speculative field for propelling purposes would be impossible, even if its production would be realistic.

C1. The antigravitational spacecraft would be impossible to manoeuvre and difficult to stabilize

The production of forces within every field can be achieved either through interaction with the force lines of this field or through implementing the buoyancy resulting from gradients of this field. In the case of magnetic fields, their force lines and directions of gradients form a

kind of intersecting multi-dimensional net, allowing for easy manoeuvring of the spacecraft. Therefore the Magnocraft utilizing this field can be compared to the situation of a monkey traveling in tropical bush. Depending on which course this monkey wishes to take, it will choose for support the branches extending in this direction. However, in the case of the gravitational field, the force lines and gradients follow the same direction. Therefore this will make it impossible to manoeuvre any vehicle which uses them. The spacecraft utilizing antigravitational repulsion could be compared to a spider which can only move along a single thread from which it is suspended.

The use of the antigravitational field for propulsion would also create some problems with the stabilizing of the spacecraft. The illustration for this is provided by the previous example of a spider hanging by a single thread. If it starts to spin or swing there will be no means of stopping its motion. It would also seem to be technically difficult to prevent such a spacecraft from overturning. This would resemble the effort of clutching one's own hair for the purpose of pulling oneself into an upright position. None of the believers in antigravity has presented a satisfactory concept for manoeuvring and stabilizing such a spacecraft, whereas it would be very interesting to see the solutions proposed for these vital problems.

It can be asserted (see subsection G4) that the principles of operation of a particular propulsion determine the shape of the spacecraft utilizing them. In the case of antigravity, the spacecraft seems to require the form of a pear or a balloon. But various theories for this propulsion are very far from taking this shape into consideration, and surprisingly favor solutions which are not compatible with the properties of the field which they apply (i.e. a saucer shape).

Those of the antigravity adherents who realize the impossibility of controlling such a spacecraft usually suggest the necessity for combining the antigravity with another kind of propulsion. Antigravity would act along the force lines of the gravitational field, whereas this other propulsion would operate in the remaining directions. With this speculation a vital point is again missed out. This is that the manoeuvring of a spacecraft involves the same values of the thrust forces as does its lifting. Practically, in free space almost every flight for a purpose (not to be mistaken with inertial flight) can be qualified as manoeuvring. Therefore this "other" propulsion would need the same power as the antigravitational one. So, for what reason would it be justified to provide a spacecraft with two independent propulsion systems of the same power, increasing its weight and taking up space, when it is sufficient to have only one which performs admirably all the required functions? This propulsion, however, will not be the antigravitational one, but the "other" propulsion which enables manoeuvring (all the requirements of which are satisfied by the propulsion that utilizes magnetic interactions).

Providing one vehicle with two independent propulsion systems is also technically very difficult, if not impossible. Each different propulsion imposes its own requirements on the shape of the craft, its construction, functioning, energy resources, etc. Frequently these requirements are contradictive to one another. For example, the Magnocraft cannot be additionally provided with a rocket outlet because the centre of this spacecraft is already occupied by the main magnetic propulsor. So it is completely unrealistic to expect that antigravitational propulsion will allow for an easy joining with any other propelling system.

If someone would suggest to the adherents of antigravity that aeroplanes should be provided with all the facilities of boats, because then sometimes they would be able to drift down rivers, this would be taken as a joke. However, their own vision of the antigravitational spacecraft with additional propulsion for manoeuvring is the exact equivalent of such "drifting aeroplanes".

C2. The manoeuvrable antigravitational spacecraft would simply be an advanced version of contemporary rockets

In chapter B it was stated that the full controllability over a particular kind of propulsion requires that its working medium is circulated in a closed loop, part of which passes through the environment (see subsection B2.2). If the medium does not circulate through an environment, the device applying it creates a so-called "semipropulsion" which provides uncontrollable motion (e.g. balloon, parachute, electroscope). The antigravitational field, having a concentric nature, will not allow for the formation of the closed circuits by itself, as happens with the force lines of the magnetic field. Therefore in order to gain manoeuvrability over the antigravitational spacecraft, it would be necessary to cause the circulation of the medium which produces the field, to make up for the lack of circulation of the field itself. This is easier to understand from the example that follows.

Other known fields that have a concentric nature similar to gravity include all electrostatic fields plus the Earth's atmosphere. Therefore any motion produced by interactions with these fields should be comparable to the operation of an antigravitational spacecraft. But when such a motion is obtained, its parameters turn out to be completely uncontrollable - compare the movement of leaves in an electroscope, or the behaviour of a parachute. In order to achieve control over the motion produced by these fields, it is necessary to introduce a circulation of the medium which constitutes them (i.e. the motion of electric charges in electrostatic fields, or the motion of air particles in the Earth's atmosphere). The path of this circulation must enclose not only the moving parts of a given propulsion, but also stationary objects representing the environment. (For example, if this condition is fulfilled for the propulsions mentioned above, the electroscope will turn into an electrostatic motor {e.g. see the INFLUENZMASCHINE described in subsection B6.2.2} whereas the parachute will transform into a hang-glider.) However, after such circulation of particles is introduced, the operation of a given propulsion system ceases to utilize the field itself, and begins to utilize the substance that carries this field.

Similar circulation would need to be employed in the case of the antigravitational field. But to make it possible it will be necessary to produce this field by a type of substance, not by a device - as the believers in antigravity assume. Moreover, this substance is then required to be circulated to the environment in a way similar to the circulation of the output from a rocket or from jet propulsion. However, if the above requirements are met, the antigravitational vehicle would lose its planned characteristics and would turn into a slightly altered version of our present rocket. As we know, the main advantage of using the fields' interactions for propelling a spacecraft is considered to be the complete elimination of mass dissipating during the voyage, so that the distance of the flight will not be limited by the reserves of propellant. The requirement for the circulating through the environment of a substance that produces the antigravitational field would completely ruin this advantage. Therefore the use of antigravitational spacecraft able to manoeuvre in such a manner would not be better than the use of contemporary rockets.

C3. With self-rechargeable propulsion, gravity does not affect energy consumption

Our experience with building electric machines has shown us that propulsion based on interactions of magnetic fields possesses the unique property of converting energy in both directions, i.e. electricity into motion as well as motion into electricity. For example, the motors of some electric trains or trams consume electricity during acceleration or in a trip to the top of a hill, and then produce electricity (by working as generators) and return it back to the overhead powerline at the moment of deceleration or on the way down the hill. Propulsion displaying such a property is called "self-rechargeable propulsion" in this monograph. The

vehicle that applies it will expend energy only on friction and external work. If the spacecraft utilizing this propulsion will fly in free space where no friction or external absorption of energy occurs, then after returning from a round trip its energy resources will be exactly the same as they were at the beginning of the expedition.

It will be asserted in chapter G that the Magnocraft's propulsion is self-rechargeable. So this spacecraft will not expend any energy during return trips in the gravitational fields. Therefore gravity is a completely neutral force for the Magnocraft, and has no effect on its energy consumption. This means that after building the first Oscillatory Chamber there will be no need to fight with gravity.

It is worth mentioning at this point that, theoretically, antigravitational propulsion systems should also be self-rechargeable - if they do not dissipate their mass. Practically, however, they would need to dispose of their energy in order to land (see subsection C5), and also - if their antigravitational interactions were to be produced by a substance (not by a device), the need to circulate this substance through the environment (see subsection C2) would eliminate the chance for a self-rechargeable operation.

C4. The field of the antigravitational spacecraft would absorb huge amounts of energy

In accordance with the Energy Conservation Principle, every change in the energetic state of a particular object will require a supply of energy at least equal to the difference of the energies represented by this object before and after the change. (Note that a low efficiency of some processes of change may cause an additional loss of energy which will increase this consumption.) Applying the above Principle to the gravity phenomenon, the field/energy relationship for gravity fields can be defined. This relationship states that: decreasing to a particular value the gravitational field surrounding a considered object will require the expenditure of at least the same amount of energy as the amount required to lift this object to a height where the gravity field drops to the same value.

The knowledge of this field/energy relationship allows for the determining of the smallest amount of energy needed by the antigravitational spacecraft to fly. In order to calculate this amount we need to find out how much energy would be consumed with the lifting of a particular spaceship to the height where the Earth's gravitational pull acting on it would decrease to zero, and then multiply this energy by the value of the vehicle's acceleration. In the book by Dr E. Wolff, "Spacecraft Technology" (Spartan Books, 1962) tables of gravitational acceleration for heights up to 700 km are published. These tables inform us that at a height of $h=700$ km the gravitational acceleration, from its value of $g_0=9.8067$ m/s² existing at sea level, drops down to the value of $g_{700}=7.957$ m/s². Applying the well known equation on potential energy: $E=m \cdot g \cdot h$ we may find the amount of energy required for decreasing the gravity by the increment $dg=g_0-g_{700}$. This energy related to one kilogram of mass is equal to $E_{700}=1.727$ KWh. Therefore for the complete elimination of the gravitational attraction of this one kilogram of mass, we must spend not less than $E=(g/(g_0-g_{700})) \cdot E_{700}=9.156$ KWh of energy. If we assume that the antigravitational spacecraft should weight about 20 tonnes and that it should produce a negative field equal to $-5g_0$, the energy accumulated in this field will amount to over 1 GWh. This means that the energy stored in the spacecraft's field will be at least the equivalent of half an hour of energy consumption by a country such as New Zealand.

Of course the above value of 1 GWh represents only that energy required to provide the stationary spacecraft with its initial antigravitational field equal to $-5g_0$. When the craft begins its acceleration, and also during its flights involving friction, a further energy supply would be necessary which for high speeds could overcome this initial value many times.

It is amazing how difficult it is to make people aware of the consequences of the Energy Conservation Principle. They need to have a puncture and to pump a car tyre manually to

realize that a change in a pressure field requires expenditure of energy. The first electricity bill after purchasing a "super-refrigerator" will make someone realize for the first time that a change in the temperature field involves the consumption of energy. When one reads in newspapers that a whole city was plunged into darkness because in a research institute a new electromagnet was tested, it becomes evident to him/her that a change in a magnetic field also requires the provision of energy. But all this is still insufficient to convince antigravity adherents that producing such a field also requires a corresponding energy supply. Therefore many of them still believe that antigravity would be something like a "miraculous paint" which is sufficient to spread on a spacecraft's surface to enable it to take off all by itself. Surely such opinions remind us of the medieval alchemists' attempts at producing the "philosopher's stone" to change sand into gold.

C5. For the purpose of landing, the energy of the antigravitational field must be disposed of

The huge amounts of energy concentrated in the field of an antigravitational spacecraft would cause a big problem during landing. As long as this vehicle is surrounded by such a field it would behave like an ideally elastic ball, which there is no way of stopping because it would bounce back off everything. Therefore to stop its infinite ricochets it would be necessary to remove its antigravitational field. But to achieve this, all its energy must be withdrawn. Energy is not a bag of rubbish which may be thrown overboard when it is no longer necessary. It must be converted into something (assuming that antigravity would allow for any conversion). And here is the problem. If the energy is converted into heat, it would cause the evaporation of the spacecraft. If it is converted into electricity, the spacecraft would be destroyed by the attraction and electromotive forces of the opposite charges (there is no way to produce only identical electric charges - e.g. only the negative or only the positive ones). The radiating of all this energy would take too long because radiation has a low efficiency, whereas its storing would require sufficiently capacious accumulators (the Oscillatory Chamber described in chapter F of this monograph would provide the required capacitance, however, when this device is built, magnetic propulsion will become a reality and there will be no further need for antigravity).

Let us assume that the crew of an antigravitational spacecraft somehow would manage to get rid of unwanted energy and have successfully landed. Then at the moment of taking off there would arise the problem of its recovery. On Earth this energy can be provided by our electricity stations, but where can such huge amounts be found on an inhospitable planet?

C6. The strong field would repel everything from the antigravitational spacecraft

The concentration of a huge amount of energy in the field of the antigravitational spacecraft would introduce a number of drastic consequences for the environment. Because the force of repulsion caused by this field would be inversely dependent on the square of distance from the craft (compare Newton's Law of Universal Gravitation), all objects in the vicinity would be affected by actions whose power we can not even imagine. Therefore every appearance of the field of such a spacecraft would cause:

- (a) The rejection and removal of all objects from its vicinity.
- (b) The repulsion of air and the formation of a huge vacuum bubble around its surface.
- (c) The impossibility of crew or visitors entering the deck, because every approach to the spacecraft would require overcoming a huge repulsion force, able to "flatten" a stubborn cosmonaut.

(d) The destruction (smashing) of all living organisms in the vicinity.

Because all substances are susceptible to gravitational forces, there is also a strong possibility that the antigravity field would transfer its attributes into surrounding materials, in a way similar to magnets passing their field to surrounding ferromagnetic objects (i.e. making them behave as they are also magnetized). This would cause "anti-gravitization" of all objects in the vicinity of an antigravitational vehicle. The usual state of mutual attraction between all the particles in these objects would be replaced by the reciprocal repulsion of these particles. The final effect would be that all objects would crack and quickly disintegrate, clods and mounds would dissipate, and everything nearby would become totally destroyed.

C7. The forces of reaction caused by the repulsion of other objects would also hurl the antigravitational craft through space

There is known a phenomenon of gravitational anomalies formed by great mountain masses. For example, as a result of the action of the Himalayan range, there are places where a car can roll itself onto the slope of a hill. The alteration of the gravitational field caused by topographic variations is called a "Bouguer correction". A similar effect, but much more powerful and acting repulsively, would be formed by the antigravitational spacecraft. Each object entering the field of this vehicle would be repelled from it by the force that grows exponentially as the mutual distance between the vehicle and the object would decrease. The Principle of Action and Reaction (see Newton's Third Law of Motion) states that every such repulsion of an outside object must result in the formation of an equal force of reactions acting on the spacecraft. In turn these reaction forces would cause:

(a) The alteration of the flight direction of the antigravitational spacecraft caused by every object entering its field range. Because of the huge distances to be traveled in space and also because of difficulties with the manoeuvring of this vehicle (see subsection C1), even the smallest meteorite would cause a significant deviation in the craft's course and, as a result, the craft would miss its planned destination.

(b) Rapid changes in the trajectory of the spacecraft after passing in the vicinity of heavy objects moving at high speeds. The D'Alembert's inertial forces created in the vehicle's structure during such changes of trajectory would kill the crew and destroy the antigravitational vehicle.

One of the most serious problems resulting from the repulsion of the antigravitational spacecraft from every other object would be the impossibility of reaching the surface of heavier planets after leaving from lighter heavenly bodies. For example, having started from Earth the spacecraft would not be able to reach Jupiter or Saturn, whereas after starting from the Moon it would not be able to reach Earth. The reason for this is that the velocity gained by the vehicle during its interaction with the field of a lighter planet would not be sufficient to break through the sphere of the stronger repulsion from a heavier planet. Therefore it is possible that such a spacecraft once launched would never achieve its destination, and would also be unable to return.

The last two subsections clearly illustrate that antigravity would not be, as some people expect, a submissive servant performing our wishes, but rather a blind, uncontrollable element able to turn against its own creators.

C8. Antigravity would introduce a number of dangers

For some unknown reason, almost all speculation on antigravity considers only the positive aspects of this hypothetical field. But in fact it would be an incredibly dangerous and destructive force. Let us review the most important threats that would be involved:

(a) The bubble of the antigravitational field would introduce a kind of "shadow" ranging from the spacecraft into space. If such a shadow began in the Earth's atmosphere, the particles of air "caught" by it could not be attracted by the gravitational field of our planet. Therefore even a short flight of the antigravitational spacecraft close to our planet would cause the instant escape of the whole of the Earth's atmosphere, similar to the way making a hole in a balloon releases the air contained in it.

(b) The side-effect of gravity is friction. The essence of friction depends on the conversion of kinetic energy into heat. It should be expected that for a negative gravity (i.e. for antigravity) this phenomenon should be reversed. The presence of thermal energy would then cause the self-activated motion of all objects. This would continue as long as the temperature of these objects would drop to absolute zero. It seems that the crew of the antigravitational spacecraft would not enjoy this phenomenon.

(c) Some forces maintaining the stability of nuclei have a gravitational character. After changing gravity into antigravity these forces would disappear. As a result, the fast disintegration of atoms and the release of vast nuclear energy would occur. Therefore switching on the antigravitational field could turn the spaceship into a nuclear bomb and ignite it. This could destroy everything in the vicinity, including the devices for producing such a field.

It is also worth mentioning that the proper functioning of the human body is conditioned by a gravity field. Therefore the necessary period for adaptation to antigravity would take a very long time - if it were not entirely impossible. The crew of the antigravitational spacecraft would not be able to enter or leave its deck as fast as our present cosmonauts and aeroplane pilots do (a rapid exit from such a craft would be just as dangerous as returning too quickly from a deep ocean dive).

C9. Even without knowing about the Concept of Dipolar Gravity, there are no known premises suggesting any possibility of achieving the antigravitational field

There are some phenomena which, when turned into negative values, run against the natural order of things. An example of this is temperature which can not be decreased below absolute zero as it would cause a disintegration of the present form of matter. Another example is physical motion with the speed of light (the reaching of this speed by a material object would infinitely increase the mass of this object). Even if someone does not know about the Concept of Dipolar Gravity, on the basis of our present knowledge he/she should conclude that gravity also belongs to this type of non-reversible phenomena.

It should also be stressed that in spite of enormous progress in all the sciences, we actually have not achieved any advancement in our knowledge of control over gravity. This phenomenon seems to be the most mysterious and difficult to understand. Present science has not yet completed the philosophical stage of answering the question "What is gravity?". Hundreds of years may pass before any successful experiments in the altering of ordinary gravitational fields could begin.

C10. Summary

We are living in an overloaded gunpowder magazine where madmen are playing with matches. At any moment an explosion could blast this planet. We would sleep more peacefully if we had in our garage a Magnocraft prepared for an interstellar trip and, within the range of

its flight, a cozy planet of dinosaurs waiting ready for colonization. However, instead of completing this spacecraft we are arguing, dividing ourselves, and dissipating our sparse intellectual resources. Part of the blame for this situation can be attributed to the unrealistic fantasies concerning antigravity, i.e. purely speculative phenomenon which would not provide the benefits expected from it, would be very dangerous for life and the environment, and also which in our set of dimensions does not exist at all.

The aim of this chapter was to replace these speculations with an objective look at the subject. Now is the wrong time to argue about the feasibility of magnetic propulsion and to waste our intellectual resources in purely academic discussions on antigravity. Antigravity has proved to be an illusion and our only alternative now is the Magnocraft. The present situation urges us to roll up our sleeves and to all join together to complete the Magnocraft as quickly as possible - for our own good and for the good of all people. After we have finished this task and have prevented our civilization from self-destruction, we will win time for development of less urgent ideas, and gaining from them further benefits for mankind. But this should be our next goal. Our present aim is to survive the atomic threat, and probably the only way of permanently escaping this danger is to build the Magnocraft.

THE CONCEPT OF DIPOLAR GRAVITY

For centuries, generations of scholars and philosophers have tried to consolidate into one consistent body of knowledge all the diverse areas of human intellectual development such as science, religion, folk wisdom, rituals, beliefs, superstitions, etc. After centuries of failure, it seems that finally we are succeeding in this effort and that a common concept has been found which unites all directions of our intellectual progress. This consolidatory concept is called "the Concept of Dipolar Gravity".

Although it may take many years to be recognized and acknowledged, the present understanding of the gravitational field tolerates an enormous error. The deductions which reveal, document and neutralize this error, are formulated into a new theory of gravitational field called here the Concept of Dipolar Gravity. In general, the error depends on classifying gravity to an entirely wrong group of fields, i.e. monopolar instead of dipolar. If we correct the above error and classify gravity into the group of dipolar fields, then the entire view of the Universe will need to be verified. For example, the so-called paranormal phenomena will gain a gravitational explanation and thus parapsychology would need to be re-classified as a part of physics. Dipolar gravity will also indicate the existence of a second world (parallel to ours) which for centuries has been acknowledged by religion but which is still denied by contemporary science. The substance prevailing in this other world displays the capabilities of a "natural computer", i.e. it is able to think in its natural constitution. The existence of the other world filled with "thinking substance" introduces numerous implications, some of which will be revealed in this chapter.

The Concept of Dipolar Gravity was presented for the first time in 1985 in the monograph by the author [2F(d)] published in New Zealand. Since then it has been published in Poland [1F(c)], and West Germany [5A]. The chapter that follows presents the third, extended and updated formulation of this Concept.

The Concept of Dipolar Gravity is an entirely new physical and philosophical model constructed to explain the structure and operation of the Universe ruled by Dipolar Gravity. In this new concept our Universe consists of two separate worlds, the first of which is called here the converse world, the world of matter, or the world of hardware; whereas the second one is called the counter-world (terms: the world of reverse images, the world of intellect, or the world of software, can also be used to describe it). The world of hardware is the one which we experience every day with our five physiological senses. The counter-world is closed to our senses, but it can be investigated by our intellect and accessed by the mysterious ability called Extra-Sensory Perception or ESP.

The Concept of Dipolar Gravity does not represent one more purely speculative model having no practical application, but it provides us with instant, various and strictly measurable benefits. For example it explains the principles of telekinesis and allows the building of technological devices which can utilize this phenomenon for the purposes of transportation and acquisition of free energy. It also reveals the natural source (i.e. the thinking counter-matter) of the absolutely correct and complete information on every material object that ever existed, exists or will exist in the entire Universe, and it shows various techniques (ESP, hypnosis, meditations, psychic healing, dreams) that allow us to access this information and to gain from it the various benefits applicable in every field of human activity.

As the research into dipolar gravity reveals, our civilization has exploited this natural source of information for centuries, collecting from the counter-matter data on underground resources of water and minerals (dowsing), about the health of people and animals (healing), etc. But everything we have achieved in this field up to now is only an introduction. The Concept of Dipolar Gravity paves the way to mastering further techniques

which will provide far more significant benefits in the near future. For example, designers can gain from counter-matter all the unknown technical details of their projects. Constructors may find the best parameters for their work, the best materials and the most useful technologies for their models. Inventors may validate and improve their ideas. All these possibilities could be extremely useful when applied to completely new technical concepts such as the Oscillatory Chamber and the Magnocraft. This is the reason why the author is devoting a lot of effort to investigate these new directions of creative work and to develop some reliable methodologies of utilizing them technically.

The Concept of Dipolar Gravity also provides a number of non-material benefits concerning our intellectual development. It supplies explanations for the vast body of phenomena previously treated as unexplained (e.g. telekinesis and its human version sometimes called psychokinesis, clairvoyance, telepathy, near-death experience, spontaneous human combustion, fire-walking, etc.). It repairs the inadequacies in the description of our Universe disseminated by contemporary physics. It creates a valuable link for the separate areas of intellectual activity. It inspires intellectual investigations in completely new directions. It also forms a rationale for the philosophical principle that every goal which it is possible to imagine is also possible to achieve (compare subsections E1 with D7).

There are numerous speculative concepts (e.g. complex numbers and n-dimensional spaces in mathematics, the concept of energy in sciences) in common use which so-far have no existing equivalents in physical world but which have proved themselves to be extremely useful and practical. The various benefits and convenient explanations introduced by the Concept of Dipolar Gravity, may qualify it also as similarly useful and practical. Therefore, in order not to waste the potentials of this Concept by waiting unnecessarily for its official recognition by institutional science, some people may instantaneously accept it on the basis of its practicality, and thus put it immediately into good use.

The Concept of Dipolar Gravity is formulated in such a manner that every aspect can be verified experimentally. This Concept reveals a number of postulates and principles which allow us to work out and to complete objective experiments that confirm its validity. An example of such experimental confirmation, which can be completed by almost every reader, is outlined in subsection D11. Therefore whoever is willing to get "hard" proof that this Concept is correct, he/she may obtain this proof easily.

For those people who are prepared to rely on the validation routines completed by someone else, this chapter alone supplies a vast amount of evidence and completed experiments which confirm the correctness of the Concept of Dipolar Gravity. Further similar evidence is probably part of almost every reader's experience. So let us combine our efforts in the best use of the evidence and proof already available, to achieve a speedy implementation of this very humanistic, positive and extremely useful idea.

D1. Why the Concept of Dipolar Gravity was formulated

In 1924 the great French physicist, Louis DeBroglie, published his important discovery which is sometimes called the "Principle of the Symmetry of Nature". His Principle laid a theoretical foundation for the development of new directions in physics. According to this Principle in our Universe everything is strikingly symmetrical in many ways. If any particle is known, its antiparticle must also exist (e.g. electron and positron, proton and anti-proton, etc.) Also every phenomenon has its own anti-phenomenon. If we find an exception to this symmetry, it is obvious that its anti-partner still remains undiscovered. The gravitational field is such an exception. Therefore the intensive search for its anti-partner is fully justified.

On the above premises the only concept of gravitational field which is still in common use was formulated. Because this concept assumes the analogy of gravity to all monopolar fields, so in this monograph it will be called the "concept of monopolar gravity". One of the

products of the concept of monopolar gravity is the speculation on the possibility of producing repulsive gravitational interactions which are popularly called "antigravity".

Since beginning his research on magnetic propulsion, the author of this monograph has paid special attention to the work done on antigravity. Analyzing carefully the expected properties and abilities of the antigravitational field, he came to the conclusion that antigravity is contradictive to the natural order of things. Some deductions in this matter are contained in chapter C. To reveal the logical error committed by the creators of the concept of monopolar gravity, which leads to the present misinterpretation of our Universe, the author reviewed the entire deduction that formulated this concept. The error was found at the very beginning. It depends on assuming "a priori" (i.e. without any verification) that the gravitational field belongs to the group of monopolar fields. However, we know that in nature two entirely different groups of fields co-exists, i.e. monopolar and dipolar. Therefore in order to discover the truth about gravitational interactions, not one but two different concepts of the gravitational field must be considered. In both these concepts the following two possible natures of gravity must be verified:

- 1 . Monopolar,
- 2 . Dipolar.

Let us have a close look at these two concepts, analyzing which one of them fulfils more extensively the requirements of the Principle of Symmetry of Nature.

The "concept of monopolar gravity" is the only concept considered at all by contemporary science. The gravitational field in this concept is equivalent to all monopolar fields existing in nature, for example, electric field, pressure, etc. Just as positive and negative electric charges exist, our science also acknowledges the existence of "matter" - producing an attractive gravitational field (i.e. "gravity"), and "antimatter" - which is to produce a repulsive gravitational field (i.e. "antigravity"). Because the concept of monopolar gravity assumes that matter and antimatter must strongly repel each other, these substances should segregate and both shift to opposite sides of the Universe creating "world" and "antiworld". Thus, the adherents of the concept of monopolar gravity are continually scanning through the galaxies in search of the "antiworld" where antimatter would be concentrated.

Investigations to-date have not only failed to reveal any evidence confirming the correctness of the concept of monopolar gravity, but have even encountered evidence which strongly negates it.

Any in-depth analysis of the concept of monopolar gravity must lead to the inevitable conclusion that this concept, instead of corresponding to, is entirely contradictory to the Principle of the Symmetry of Nature. Therefore, to construct a more realistic model of reality, the author designed an alternative concept of gravity which is called here the "Concept of Dipolar Gravity". The Concept of Dipolar Gravity has never been formulated or considered by our science. The author of this monograph is the first person to propose, work out, and publish it. In the author's Concept, gravity displays similarities to all dipolar fields, e.g. magnetic, hydraulic (i.e. flows of mediums), etc. Just as in a magnetic field two separate poles (N and S) exist, similarly two opposite poles also appear in the gravitational field. But because of the concentric nature of gravity, the second, opposite pole of the gravitational field is directed "inwards" and prevails within a separate world, existing parallel to the world recognizable to our senses. Thus, the Concept of Dipolar Gravity indicates the necessity of a parallel existence in the same space of two separate worlds, the first one of which (world of matter) is recognizable to our sense organs; whereas the second one (world of intellect) is closed to our senses but open to Extra-Sensory Perception (ESP). Such a constitution of our Universe introduces a number of practical consequences, which are explained in the subsections that follow. But unlike antigravity, the existence of the "other pole of gravity" (called "counter-gravity" in this monograph) does not alter or influence in any way the behaviour of our world as we know it. Therefore it is very difficult to detect it with our present instruments. On the other hand the existence of the other pole of gravity opens for scientific investigation an incredibly wide range of psychic phenomena and presently unexplained facts. Thus the Concept of Dipolar Gravity rapidly extends our

horizons into hitherto unrecognized fields, without the necessity of re-defining our present laws.

After the Concept of Dipolar Gravity was formulated, the author began his search for evidence which would confirm the correctness of this new model of reality. As a result of his research he revealed a wealth of evidence which supports his claims. On the other hand NO fact has hitherto been found which is contradictive to the Concept of Dipolar Gravity. Below are summarized the most important facts which strongly negate monopolar gravity and simultaneously confirm the correctness of its dipolar character:

#1. The kind of force interactions existing between the carriers of the gravitational field (i.e. particles of matter). As we know, these particles attract each other, forming the well known gravitational pull that prevails between all possible clusters of matter.

[] in all MONOPOLAR fields carriers of the like poles repel one another. The interactions occurring between like electrical charges (e.g. positive charges repelling all other positive charges) as well as those occurring between particles of gases forming pressure fields (e.g. tendency to decompress) are the best examples of such a repulsion. Therefore, if gravity would have a monopolar character, the particles of matter should repel one another, not attract. This lack of repulsion denies the monopolar character of gravity.

[] around poles of all DIPOLAR fields, the field carriers form a dynamic pressure (described by Bernoulli's Equation) which compress them together. This pressure manifests itself as forces that pull the field's carriers together. For example, there is a well known phenomenon of pulling a ping-pong ball into a fountain's water stream and then holding this ball suspended within the stream. The forces that pull this ball are the same ones that we are talking about (i.e. Bernoulli's dynamic pressures prevailing at outlets from poles). The forces of gravity seem to be an exact equivalent to this dynamic pressure appearing in dipolar fields. This confirms that gravity behaves as a dipolar rather than a monopolar field.

#2. The complete lack of evidence for the existence of two opposite monopoles of gravity combined with the simultaneous wealth of evidence confirming the existence of a gravitational dipole.

As we know, in all monopolar fields two opposite types of field carriers (e.g. positives and negatives) are separated by a space subjected to the action of these monopoles. But in dipolar fields the situation is reversed, i.e. two different spaces in which opposite field conditions prevail are separated from each other by the field carriers (dipoles) being subjected to the action of these spaces.

[] if gravity has a MONOPOLAR character, the second (opposite to matter) monopoles of gravity should be found. But so far our highly sophisticated nuclear experiments have revealed only particles and antiparticles which differ electrically but which are identical in gravitational understanding. Thus, all known particles and antiparticles represent only two main electrical components of the same matter and do not constitute opposite monopoles of gravity.

[] in DIPOLAR gravity, the Universe would be composed of two separate spaces, or worlds, in which two opposite types of gravitational interactions would prevail (e.g. attraction in our world and repulsion in this other one). Therefore, the same laws and phenomena, but observed within each one of these two worlds, would also display drastic differences, depending on which side of the gravitational dipole they are manifested. As a matter of fact, we already know from physics examples of such dual behaviours. These are registered under the name "wave-particle duality of nature". One of the manifestations of this duality is the contemporary co-existence of the corpuscular and wave theories of light. As it is quoted in some books "Physicists have been jokingly accused of believing in light waves on Mondays, Wednesdays, and Fridays and in photons on Tuesdays, Thursdays, and Saturdays" (see: O.H. Blackwood and others: "General Physics", 4th edition, John Wiley & Sons, Inc., 1973 page 665). One of the simplest and at the same time the most satisfactory explanation of this duality can be derived from the Concept of Dipolar Gravity. According to it, the consequences of the corpuscular and wave theories of light originate from the simultaneous distribution of light signals within the two different worlds. Depending in which of these two worlds light signals are observed by a given instrument, the corpuscular or

wave aspect of light is manifested. This again confirms that the action of the gravitational dipole is already registered in physics.

#3. All attempts to detect the existence of two opposite monopolar worlds (i.e. our world and "antiworld") have failed, whereas there are already registered worlds from both sides of the gravitational dipole.

[] in MONOPOLAR gravity the opposite world (called antiworld) is claimed to be repelled from our world, so it should be shifted into a remote corner of the Universe. Therefore this world could be detected only in an astronomical manner. But almost two centuries of astronomical search has not revealed even a trace of the antiworld or antimatter from which it would be constituted. As it is stated in the book, "Worlds - Antiworlds", by Professor Hannes Alfvén of the Royal Institute of Technology, Stockholm, Sweden - a widely recognized expert in antimatter, "There is no definite evidence for the existence of antimatter in the cosmos". This again denies the monopolar character of gravity.

[] if gravity has a DIPOLAR character, the world from the other side of the gravitational dipole must occupy the parallel space to our world. In fact a technique which reveals a parallel co-existence of the same object in two separate worlds is already known. This technique is called "Kirlian photography". In this photography some damaged objects still reveal parts which in the physical world are separated from them (e.g. photographs of damaged leaves may show the outlines of the missing parts). The above again confirms the behaviour of the Universe as governed by Dipolar Gravity.

* * *

The above examples do not exhaust all the evidence which confirms the dipolar character of gravity, and which simultaneously denies the presently adhered to monopolar understanding of this field. Further examples of this evidence may be found in various other disciplines, such as religion, parapsychology, medicine, ornithology, etc. Because both concepts of gravity contradict each other, and only one of them can be correct, the existing evidence shows that our present understanding of the gravitational field is entirely wrong and leads to a misinterpretation of reality. Therefore it should be withdrawn from use as soon as possible. It is in the common interest of all of us to repair the error that has been committed, and to replace the present, misleading view of our Universe by the more correct one - based on the Concept of Dipolar Gravity.

D2. The operation of our Universe ruled by dipolar gravity

The previous subsection has revealed that in one aspect our present understanding of gravity is definitely wrong. This aspect is the polarity of the gravitational field. As has already been indicated, present science recognizes gravity as possessing a monopolar nature, similar to the one manifested by electrical charges. This chapter, however, shows that the gravitational field has a dipolar nature, thus displaying similarities to the magnetic field (i.e. gravity, similar to a magnetic field, also forms two opposite poles). The establishment of this dipolar character of gravity allows us to make some deductions revealing what our Universe is like and how it operates under the conditions of dipolar gravity.

All deductions concerning dipolar gravity must be started from the acceptance that this field possesses two opposite poles. The first pole prevails in our world and produces all gravitational interactions known at present. However, because of the concentric nature of gravity, the second pole of gravitational field must be directed "inwards" and extend into another world, invisible to ours. Therefore the immediate consequence of dipolar gravity is the parallel existence in the same space of two opposite worlds. We are fully conscious of the first of these worlds (i.e. the world of matter) because every day we experience it with our five senses. But the second world (the counter-world) must extend into another set of dimensions, symmetrical to ours, but undetectable by our biological senses.

Because of the tight connection through gravity, this second, counter-world of our Universe must be an exact reflection of our converse world - in the same way as every mirror reflection is an exact picture of a real, material object. On the other hand, because of the opposite nature of the other pole of gravitational field prevailing in the counter-world, the laws which operate in it would be the exact reverse of the laws in our world. For example the medium that makes up this second world, which would be the equivalent of our matter, must have no mass, must have no friction during its displacement, and must display "self-mobility" (i.e. a property being the opposite to the "inertia" of our matter). Therefore it would be the exact implementation of the historically well-known but at present ignored concept of "ether". In this monograph this medium/substance is called "counter-matter" in order to indicate that it is a substance which represents an exact opposite to matter from our world, but also to indicate that it is a completely different substance than "antimatter" postulated by the old concept of monopolar gravity.

To understand completely the principles of the co-existence of both worlds, some examples are presented below which explain this. The first example illustrates their operation, the second one our difficulty with an insight into the counter-world, whereas the third one illustrates our perception of these worlds.

1 . Since ancient times people have been building machines whose operation is always an imitation of the mechanisms of the Universe. Not long ago, man completed the device which is the exact model of the operation of both worlds discussed here. This device is called the "computer". In every computer we may find hardware (i.e. equipment and energy converters) detectable to our biological senses, and software (i.e. programs) undetectable to our senses or technical instruments but perceptible to our intellect. The hardware is the equivalent of the converse world, whereas the software is the equivalent of the counter-world. If we gave a contemporary computer for research by the scientists from last century who had no idea of the duality of its structure, their senses and instruments would describe very precisely the characteristics of its hardware. However, there would be no way that they could detect the existence of software, so some of the actions of the computer would induce astonishment and fright. When observing this device none of these scientists could imagine the vast range of possibilities and prospects that the same hardware may offer after one has introduced appropriate changes into the software. Also none of them would know that the counter-world is no less capacious nor less complicated than the world of hardware, and that the preparation of a particular program must obey a wide set of laws and rules completely different from those which govern the production of technical devices. In our present understanding of the Universe we are perhaps like these scientists from the above example, seeing only its "hardware" and not even realizing that at the other end of gravity there is another counter-world.

2 . To illustrate the present difficulty with an insight into the counter-world, let us imagine a group of last century scientists who received a modern magnetic tape for investigation. They could describe perfectly the physical properties of this tape but they would be unable to detect that there is any sound recorded on it. Until playing devices were invented, these scientists would be unable to access the world of sounds that the same tape contains. Our civilization is like these scientists, where present knowledge of matter represents the physical properties of the tape, whereas the counter-world represents the yet undiscovered music on this tape. Unless we develop devices which access the information stored in the counter-world, we will be convinced that the whole reality is limited to the matter around us.

3 . To illustrate our perception of both worlds, let us consider the analogy of a huge ocean of "counter-matter" in which there is floating a number of objects. Let us suppose that one half of each object is above the surface of this ocean, whereas the other half stays submerged. The substance filling our hypothetical ocean (i.e. the counter-matter) is in a permanent state of "boiling", forming numerous drifts which writhe in many directions and toss about all floating objects. People, similarly to every other object, would also drift in this ocean, as if exactly half of their bodies were submerged. But all senses would remain in the part above the counter-matter, therefore they would have the illusion that the whole

Universe is limited to only what they can see. Without having a view under the surface, the people in our analogy would have no idea that the surface is not the end of the Universe but only the border of their visibility and that, closed to their senses, there may exist another whole world.

The only link between our world and the counter-world is through forces of gravity. The requirement of balancing these forces causes each particle of matter existing in our world, to be attached to a similarly sized particle of counter-matter. In this way, every material object existing in the world of hardware, must receive its identical copy (a mirror reflection) existing in the counter-world. This reflection is made of counter-matter. The gravity forces tightly joining together the material objects from our world and their counter-material copies prevailing in the counter-world introduce a very unique co-operation between both worlds. This co-operation can be defined as follows:

"The actual configuration of the counter-world determines the course of events in our world, whereas the changes in our world modify the actual configuration of the counter-world".

The above definition of co-operation between both worlds will be referred to as the "hardware/software mechanism of phenomena". According to this definition the mutual interaction between our world and the counter-world is an exact equivalent to a real-time co-operation occurring between a numerically controlled machine (i.e. hardware) and a computer program (i.e. software). This is because in any man-made system the only solutions that can be utilized are those which are already applied to the operation of the Universe. If we consider a numerically controlled machine (hardware), its operation represents the behaviour of matter from our world. On the other hand, the computer program that controls this machine represents the capabilities of counter-matter from the counter-world. The program, in order to control the machine, must contain the numerical reflections (i.e. software models) of all parts of that machine. This means that the program must describe for each moving part its actual state, previous position, future goals, possibilities and limitations. When the entire system consisting of the program and the machine is run, then the control signals originating from the program cause particular actions by the machine. But each change (action) of the machine must be observed by the program which is altered according to the effects of this action. Thus, the altered program executes different actions, etc. The continuation of the above interactions between the program and the machine leads to the sequence of events in the hardware. These events are the exact reflection of the routine described in the software. In the same way as this machine and program interact with each other, our world is interacting with the counter-world.

The hardware/software mechanism of phenomena described above is a key to our understanding of the Concept of Dipolar Gravity and to our understanding of the explanations derived from this Concept. There are numerous consequences of this mechanism, the presentation of which will be continued. One of the primary consequences is that the counter-world must accommodate all attributes of what we call "real-time control programs". Thus, the mirror (counter-material) reflections of every material object must behave like software models for numerically controlled machines. So, these reflections must also contain all data about history, present state, and future goals of the objects they describe, forming in that way a kind of "register" easily accessible through ESP, dreams or hypnosis - see subsection D2.2. The data contained in the counter-material reflections must somehow be intercepted, stored and processed. This means that the counter-world must additionally display all the capabilities of a natural computer, including not only the capabilities to intercept, store, and release data, but also the ability to process them (i.e. to think).

The principle of our world interacting with the counter-world based on the hardware-software model, makes two different means of introducing changes into our world possible, i.e. "physical" and "telekinetic". The physical means is well known to us and depends on a forced interaction with the objects of our world, involving the particular amount of work to be done and causing appropriate energy to be spent. In the previous

description of a machine controlled by a computer program, this "physical" means would be an equivalent of the hand-introduced displacement of some parts of the hardware. The "telekinetic" manner of introducing changes into our world depends on altering the configuration within the counter-world. This in turn causes self-activated changes occurring within our world. To explain it more simply, in the telekinetic motion we move the mirror (counter-material) reflections of objects, instead of moving these objects. But because these mirror reflections are attached to original objects through gravity forces, moving these reflections causes the objects to also move along exactly the same paths.

The properties of the telekinetic manner of moving material objects described above reveal that we have already accumulated much evidence indicating a practical utilization of this ability. The majority of miraculous events and ghost stories in fact reduce themselves to the sightings of objects moved in such a manner. The cases of telekinesis, psychokinesis and levitation also fall into this category. Moreover, the idea of teleportation seems to be the vision of future spacecraft utilizing the same principle. Some sightings also reveal the major side effect that accompanies telekinetic work, i.e. the absorption or release of large amounts of thermal energy (see the The Postulate of Interchanging Thermal Energy). For example, there are reports about advanced Yoga practitioners who decrease the temperature of their bodies, or about people who cremate themselves (Spontaneous Human Combustion) by "inner fire" ignited as an effect of extreme psychic tension.

The displacement of objects caused by the "telekinetic" manner do not require any energy to be supplied by the person or device who executes such a displacement. This is because in the counter-world friction and inertia do not exist. But the material objects following their counter-material reflections within our world must consume energy, as the Principle of Energy Conservation must always be fulfilled here. Therefore, this energy consumed in the material world must be withdrawn from the environment of the objects moved in this manner. The only form of energy available for such a purpose is thermal energy. Thus, the telekinetic manner of introducing changes into our world must cause thermal energy to be withdrawn from the environment - when the telekinetic motion goes against external forces, or to be supplied to this environment - when the telekinetic motion acts along with external forces. In this chapter the above conclusion is called the "Postulate of Interchanging Thermal Energy". This postulate applies to all paranormal phenomena that affect the Principle of Energy Conservation, e.g. telekinesis, some Yoga exercises, etc. (Note that such a cooling capability of telekinetic motion causes telekinesis to be a kind of friction in reverse, i.e. it consumes heat and produces motion.)

The Postulate of Interchanging Thermal Energy by material objects moved in a telekinetic manner makes the existence of the counter-world extremely easy to be proven in an experimental way. It is because this postulate indicates that the objects moved telekinetically must produce a subtle kind of glow, which will be called the "extraction glow". The existence of this glow results from the statements of quantum physics, which indicate that the atoms whose electrons fall from higher orbits into lower as the result of a rapid cooling, must emit photons. These photons should be registrable as a kind of glow. Therefore, any telekinetic absorption of thermal energy should be accompanied by a glow emitted from the affected area. In order to prove experimentally that the Concept of Dipolar Gravity is correct and that the counter-world exists, it is sufficient to register this "extraction glow" - see subsection D11.

There is a wealth of evidence already available which confirms that our Universe operates according to the Concept of Dipolar Gravity. Let us now review the most important facts confirming this.

#1D2. For centuries the existence of a "second world", separated from ours, is claimed by religions. Although contemporary science adhering to the concept of monopolar gravity had no justification to support this claim (therefore the majority of scientists deny the existence of another world), the Concept of Dipolar Gravity leads to the conclusions surprisingly coherent with the claims of religions.

#2D2. Most paranormal phenomena affect the level of thermal energy contained in the environment, thus fulfilling the Postulate of Interchanging Thermal Energy. For example,

it is widely known that shifting objects by so-called "Poltergeists" decreases the room's temperature almost to freezing level. Yoga practitioners may also decrease their body temperature. Moreover, during extreme psychic tension enormous heat can be released which leads to "Spontaneous Human Combustion".

#3D2. There are numerous photographs already published which clearly capture the emission of an extraction glow by objects moved telekinetically. Some examples of such photographs, reproduced from widely accessible books, are shown in Figures D5 to D7. In cases of extremely intensive paranormal phenomena, the extraction glow is so strong that it can be seen by the naked eye. An example of such a case is described on page 32 of the book [1D], "Psychic Healers". Here is the relevant quotation describing the effects of a telekinetic healing (see the description of this healing contained in subsection D9):

"I have been in many 'psychic' places and seen many 'psychic' things, but I was not prepared to see a current of light run down Cassidy's arm and into my friend's body. I was not prepared to see his body light up like a white neon tube and stay that way while I rubbed my eyes, glanced around the room to see if other things were glowing".

#4D2. There are a number of sightings accumulated that describe in detail the so-called "beaming" of people onto decks of UFOs. One of the effects of this beaming is that people subjected to it experience a significant loss of thermal energy, manifested through feeling cold, shaking, tingling of bodies, etc. Therefore, the phenomena employed by UFO-nauts to cause this beaming fulfils the Postulate of Interchanging Thermal Energy described earlier. On the other hand, all the other effects accompanying this beaming; e.g. the strong emission of "extraction glow", psychic experiences, passing through solid objects, etc.; exactly correspond to the use of an advanced propulsion system based on a technological version of telekinesis. The above facts are consistent with the Concept of Dipolar Gravity and confirm that devices exploiting this Concept are already in use by some other civilizations.

D2.1. Counter-matter: the thinking substance from the counter-world

The main characteristics of all dipoles is that they bind together, and simultaneously separate, two symmetrical sets of dimensions (spaces) in which opposite field conditions prevail. Therefore between the set of our dimensions, and the set of dimensions where the opposite gravitational pole prevails, an inaccessible boundary must appear. This boundary forms a border separating both worlds that constitute our Universe. Because everything is subjected to the forces of gravity, the border between our world and the counter-world can not be penetrated by any physical equipment nor any material object.

In all dipolar fields the environmental conditions that prevail at both poles are always opposite. The above is expressed by the "rule of opposite properties at both ends of a dipole" that governs the behaviour of all dipolar fields. This particular rule, when applied to the gravitational field, shapes the structure and operation of our Universe in a unique, symmetrical manner. Its two most important consequences are as follows:

1. The existence of the gravitational dipole must cause exactly opposite polar CONDITIONS to prevail in both worlds of our Universe. These opposite conditions in turn mean that all laws and properties prevailing in our world must be inversely duplicated in the counter-world. For example, in our world inertia is one of the main properties of matter, therefore in the counter-world self-mobility (i.e. inertia in reverse) must be an equivalent of inertia to be exerted on the substance prevailing there.

2. The existence of a gravitational dipole must also mean that every physical FORM (i.e. substance or object) is inversely duplicated in both worlds (like an object and its mirror reflection). This in turn means that our world and the counter-world must be both symmetrically filled up with two different substances having opposite properties, and that every material object existing in our world must have its counter-material duplicate in the counter-world.

When both the above consequences of the gravitational dipole are carefully analyzed, they allow deductions to be made concerning the mutual relationship between our world and the counter-world. The author has already made some deductions and the conclusions he has arrived at are described below. The presentation of these conclusions will be started by describing the substances prevailing in both worlds and the relationship between their properties.

The substance prevailing in our world is already well known by contemporary science. We refer to it under the name of "matter" and its fundamental properties include mass, inertia, friction, etc. The substance prevailing in the counter-world must have all the properties opposite to those of matter, i.e. it must be weightless, self-mobile (i.e. opposite to inertial), free from friction, etc. It is known from history, that the existence of such a weightless substance has already been postulated by classic physicists, one of them being James Clerk Maxwell (1831-1879) - creator of the famous equations of electromagnetism. They called this substance "ether". In this monograph the author uses the name "counter-matter" for this substance. This name highlights that the substance originates from the counter-world and that its properties are opposite to that of matter.

Amongst all the unusual properties of counter-matter, one requires special justification, as it introduces numerous implications to our understanding of reality. This unique property of counter-matter is its natural ability to think (i.e. to work as a kind of natural computer). The following logical deduction is to justify the author's conclusion that counter-matter thinks. As it has already been stressed, the "rule of opposite properties at both ends of a dipole" applies to all dipolar fields. On the other hand, the main property of matter is that in its natural constitution it is unable to think, and it is only after being rearranged in special structures (such as brains or computer microchips) it gains the capability of conducting thinking processes. Thus, after applying the "rule of opposite properties at both ends of a dipole" to this main property of matter, the conclusion is derived that counter-matter in its natural constitution must display an ability to think, and only after being rearranged in some special structures (e.g. in the boundaries between two thinking entities that maintain the separateness of each of them) it will be unable to think.

Counter-matter, similar to our matter, is not a single type of substance, but probably a collection of various substances characterized by different properties. For example, there may exist a solid, liquid and volatile counter-matter.

We know that in 1887 the famous Michelson-Morley experiment was completed. It claimed to prove the non-existence of counter-matter at that time called "ether". But we also know that the conditions of this experiment were so designed that it was only capable of detecting counter-matter if this substance existed in our world. According to the Concept of Dipolar Gravity, counter-matter prevails in a separate world into which any device installed in our world has no access, thus dipolar gravity automatically cancels the validity of the Michelson-Morley experiment. Counter-matter existing in another world may not be detected from our one.

Counter-matter turns out to be a necessary component of our Universe. As human knowledge advances, various intellectuals keep re-introducing the concept of this extraordinary medium. Although in all these re-introductions counter-matter receives different names, the general concept of this medium always remains similar. Let us list a few examples of terminology currently being used to express various presentations of the same concept of counter-matter:

1. Inventors working on Free Energy Devices describe this concept with the term "tachion energy".

2. Various schools of spiritualism, natural health, and personal development, implement practically some of the capabilities of counter-matter. Of course, in each of these implementations counter-matter is referred to by a different name. Below are listed examples of the more popular of these names:

- Reiki, i.e. the name attached to counter-matter in a Japanese school of natural health and personal development.

- Orgone energy, i.e. a name which describes counter-matter in the book [1D2] by T.J. Constable, "The Cosmic Pulse of Life" (Neville Spearman Ltd., Suffolk, Great Britain, 1976, ISBN 85435-194-9).

3. Our science, after initially denying the existence of counter-matter, has gradually returned to this old idea after changing its name. Here are examples of scientific terms which represent this idea:

- Vacuum. Contemporary quantum field theory claims that vacuum is so featureless and has such a high symmetry that a velocity can not be assigned to it. Moreover, this theory states that particles are excited states of the vacuum state. The above means practically that the quantum field theory has assigned to the vacuum all properties which classic physicists previously attributed to counter-matter (ether).

- Energy Body. Medicine has gradually adopted from acupuncture the concept of an "energy body", which is only a different name for the old occultistic idea of a "counter-material body".

Counter-matter is also referred to in numerous ancient sources. The most well known ancient names assigned to this medium are: "The Ancient of Days" described by christian and Jewish traditions, and the "Vril Power" (see [2C], pages 84 to 99 and 170 to 174) described by eastern tradition. The analysis that follows reveals the total correspondence between the old interpretation of Vril Power and the characteristics of counter-matter from the Concept of Dipolar Gravity. Similar analysis, but completed for the idea of the Ancient of Days, is provided in subsection L3.

#1D2.1. On page 179 of the book [2D] the author defined the Vril Power in a following manner: "VRIL is actually an ancient Indian name for the tremendous resources of energy which are made available as a result of mastering the Counter-material Body (or Time Organization)". Other parts of the same book explain the term VRIL even more exactly. Let us quote a few more sentences:

p. 92: "... the gradual discovery of the latent powers stored in the all-permeating fluid which they denominate VRIL." p. 170: "There is no word in any language I know which is an exact synonym for VRIL. I should call it electricity, except that it comprehends in its manifold branches other forces of nature, to which, in our scientific nomenclature, differing names are assigned, such as magnetism, galvanism, etc."

p. 171. "It can be used for expanding the consciousness of the mind, and allowing the transference of thoughts from one person to another by means of trance or vision. It was through the agency of VRIL, while I had been placed in the state of trance, that I had been made acquainted with the rudiments of the VRIL-YA's language."

p. 172: "Further uses of the force include the motive power for robots, the propulsion of land vehicles and flying contrivances, and for supplying light. ... VRIL is seen as an enormous reservoir of universal power, some parts of which can be concentrated in the human body."

Even a brief comparison of the above quotations to the descriptions from further parts of this chapter makes obvious the total correspondence between the term VRIL and the term Counter-matter.

D2.2. Software models (registers) of material objects

The example of interaction between computer software and hardware is the key to our understanding of the co-existence of our world with the counter-world. It can be logically deduced that the counter-world must be an equivalent of contemporary numerical models for simulating real-time computer processes. Therefore all laws and principles concerning these models are elements of more general laws and principles ruling the counter-world and must also be obeyed within the counter-world. As we know, the simulation of any real-time process is not possible without building into its software model all information about the past (history), present and future of this process. This means that because of the strict analogy to such models, the counter-world must also consist of some records of the entire history, present state, and also the future of every object from our world. Practically,

for every person, every organism and every object existing within the world of hardware there must be a kind of "register" which contains all events from the past, present, and future. Therefore, if we could somehow gain "insight" into these registers, we would have access to all the required information about everything, including also the events that will happen in the distant future.

At this point we should extend the explanation of the "register" (software model) provided briefly in subsection D2. The register is a mirror reflection of a material object, made of counter-matter and contained in the counter-world. This reflection displays all the attributes of the material object which it reflects. It memorizes all the data on this object including the entire history of events that this object was subjected to. It also describes the present state and the direction of future development for every component of the reflected object. Registers exist only for material objects - can not be created for ideas or abstracts, but inside these registers any idea or abstract can be recorded or developed.

It can be deduced that the registers must store the information in a holographic manner. Such manner is confirmed by some evidence collected to-date (e.g. by the lack of time delay in ESP inquiries concerning very distant objects, by the characteristics of the life review occurring in the first stage of dying, etc.).

Amongst the various properties of the counter-material registers, one deserves our special attention. This is the non-destructible aspect. Differing from physical objects, software models (i.e. "registers") from the world of intellect can not be destroyed by any action taken in the material world. Therefore objects which physically cease to exist still possess their registers somewhere in the counter-world. Various religions describe such registers of dead people (or animals) as "ghosts", "spirits" or "souls".

The non-destructibility of counter-material registers finishes when a destructible agent is formed within the counter-world. The content of subsection D5 reveals, that such a situation occurs when the destruction is caused by an extremely powerful electromagnetic disturbance, similar to the one formed during nuclear explosions. For this reason the Concept of Dipolar Gravity warns us about the use of nuclear weapons: "those who die in a nuclear explosion cease to exist in the spiritual plane as well". This is because nuclear destruction terminates not only physical life, but also the chain of subsequent reincarnations. As such, a possible nuclear war would be a loss to the entire universe, not only to the planet where it occurred.

There is a wealth of evidence available at present which confirms the correctness of the conclusion that every material object has its mirror (counter-material) reflection in the counter-world. Listed below are some examples of this evidence:

#1D2.2. The conclusion derived from Dipolar Gravity that every material object has its counter-material mirror reflection (register) in the counter-world only provides a new, scientifically based justification to the very old finding that for ages was presented to us by various sources. In religion this reflection is called "soul", Psychics call it "etheric body", acupuncture refers to it as "energy body", etc. The mutual correspondence between the concept of a "register" derived theoretically from the Concept of Dipolar Gravity and the concept of the "etheric body" so successfully utilized in Psychic Healing, is best expressed in the book [1C] by David St. Clair, "Psychic Healers" (Bantam Books, New York, 1979, ISBN 0-553-02056-0). On page 244 of this book the famous American Psychic Healer, Reverend William Brown, explains the principles involved in his healing. Here is an excerpt from his explanations:

"The etheric body is an exact copy of the flesh and blood body with every muscle, bone, organ, and nerve reproduced but in a finer density. The principle is that this body, being more basic than the physical, can be adjusted more rapidly and bloodlessly. Each condition corrected in the etheric body is reflected back into the physical body, thus adjusting the physical back to health".

It is amazing how closely this Psychic explanation corresponds to the "hardware/software mechanism of phenomena".

#2D2.2. In 1906, Dr. Duncan McDougall of Massachusetts General Hospital conducted some precise measurements of people just before and after their death. These

measurements revealed that the human body at the moment of death loses as much as 7 to 28 [grams] in weight. The above loss of weight can be attributed to the separation from bodies of their software models (registers) which are made of some volatile component of counter-matter. As these models are attached to the bodies by gravitational forces, their separation must cause changes in gravitational interactions which would be detectable as in the change of weight.

#3D2.2. Software models from the counter-world are actually registrable on a photographic film. The technique which allows the registration of these counter-material images is called Kirlian photography.

D2.3. Possible gains from the mastery of the counter-world

The gravitational link existing between both worlds introduces enormous potential for exercising an intelligent control over our world. If we build a machine that will be able to change the configuration within the counter-world, then this would cause an instant change within the material world. For example instead of physically traveling from place to place, we could alter our position in the counter-world and this would cause our instant disappearance from one place and re-appearance in another one. In this way "teleportation" may replace our present dislocation of matter. It is not the only possibility that the alteration of the counter-world may open. Some of other could be:

- materialization instead of production,
- dematerialization instead of disposal,
- body-transformation instead of healing.

The machine for introducing some alteration into the counter-world would be the supreme achievement in the utilization of the possibilities that this duality of the Universe may offer. However, not less useful would be the device which could just allow "insight" into and "reading" of the registers contained within the counter-world. Through such an insight we could, for example, obtain complete information about:

- the history of each person, organism or object,
- the future fate of people and objects,
- the appearance and course of illnesses before symptoms are noticeable,
- the thoughts, intentions, secrets and personal details of any particular person,
- the location of lost people and objects,
- the content of non-transparent objects, e.g. letters within envelopes, natural resources, underground water sources, etc.

It seems that for thousands of years mankind exploited the counter-world through magic, exorcism, rituals, etc. However, to-date people's use of the laws of that world has been "blind" and without understanding of their operation. Realizing that such a world exists will help us in the systematic compilation of its laws and in developing a complete knowledge of its operation. From this, there will be only a short step to the development of our natural abilities to exploit this world, in a way similar to the development of muscles by body builders. The existence of this world makes possible the mastery (without devices) of such hitherto incredible abilities as: telepathy, shifting objects by the power of the mind, healing, seeing the content of non-transparent objects and learning the personal secrets and thoughts of others.

Similarly to our world, the counter-world must also be objective and repetitive. It must be governed by a set of natural laws, whose meaning can be detected, identified, learned and utilized by our intellect. Therefore the recognition and acceptance of this world will open completely new dimensions, for the good of all people.

D3. The interpretation of time in the Concept of Dipolar Gravity

As it was explained in subsection D2, the counter-world (also called the world of intellect) contains real-time software models (registers) of our reality. These models execute the course of events that take place in our world. Thus the key to understanding the operation of the counter-world is its analogy to a real-time computer program.

Let us refer to the operation of a real-time computer program. Such a program is made up from a number of elementary processing commands that are combined together in one continuous sequence. The completion of these commands is achieved in steps, each one of them being executed in isolation from the others. During this process the control unit of a computer gives the execution power to these commands in the order of their positioning, one after the other. Thus in each computer program there exists one such elementary command which is actually in the process of execution. All commands located before this particular one are already completed, whereas all the commands located after this one will be completed in the future. Therefore a flow of the execution control throughout such a computer program performs the same function as the flow of time in real events. The above shows that in the computer programs operating in real-time, the flow of execution control is equivalent to our idea of time.

The analogy existing between the counter-world and the real-time computer program allows us to deduce the principles of completion of real events occurring in our world. These events will be executed by the counter-world in a manner similar to the way the processing commands are executed in contemporary computer programs. Thus the software models contained in the counter-world are also combined from the sequences of elementary steps. These steps are executed in succession, one by one. Therefore, there is always a step which is actually in the process of execution, as well as the other steps, part of which were already executed in the past and part waiting to be executed in the future. Such a flow of the execution sequence occurring in the counter-world, is observed in our world as a lapse of time. The above provides the interpretation of time in the Concept of Dipolar Gravity. This interpretation states that:

"time is a flow of the execution control throughout the software models contained in the counter-world."

The above interpretation introduces numerous changes to our understanding of time. Firstly, it causes us to realize that our contemporary view of time as a uniformly flowing river is wrong. In fact, time is motionless, only our execution control moves through it. Also this interpretation indicates that the speed of elapsing time can vary from object to object and from situation to situation (i.e. time does not elapse the same for everyone and in every situation). Moreover, this interpretation shows that in the counter-world time can be instantaneously shifted backwards (i.e. the execution control can be shifted back to any previous step) or further forward, and the speed of elapsing time can be increased or decreased. Thus, in the Concept of Dipolar Gravity, time travel and the building of "Time Vehicles" is theoretically possible - see subsection B7.

Items of evidence have already been accumulated which confirm the correctness of the above interpretation of time. Below is listed some examples of evidence from this area:

#1D3. Time elapsing is perceived differently for various objects and situations. For example, insects pass through time at a much faster speed than people, whereas the celestial bodies (e.g. planets, stars) have a much slower passage through time than humans do. Also in our lives we frequently observe the different speeds of elapsing time. As it was lightheartedly expressed by Albert Einstein, "one minute spent on a hot stove feels like an hour, whereas an hour spent with a loved partner feels like a minute". Most clearly the slowing of time is registered by participants of car accidents. Probably everyone has also noticed personally that the passage of time seems to increase in speed as we age (i.e. a day for children is longer than for older people).

#2D3. In the so-called near-death experiences (NDE), a person falling from a roof during his/her very short flight re-lives again in detail almost his/her entire life. The number of images and experiences passing through the mind of such a person would be impossible to review if time elapsed with "normal speed".

#3D3. There is objective evidence accumulated which confirms the capability of some advanced civilizations for slowing down or accelerating the elapse of time. This evidence originates from sightings of the so-called "Time Vehicles" in operation. Examples of this evidence (eg the so-called "state of suspended animation", claims of extraterrestrials, accelerating of abductee watches) are presented in subsection K3.

D4. The interpretation of electromagnetic phenomena in the Concept of Dipolar Gravity

The Concept of Dipolar Gravity reveals that the counter-world is filled up with a kind of medium, which we call here "counter-matter". Counter-matter is a reversal of matter from our world. Independent of the intellectual properties, it also displays a number of physical properties. As the classic physicists deduced, counter-matter must possess no mass, must produce no friction and display no inertia. Counter-matter can be put into a state of tension and be caused to move. The actual state and behaviour of this medium, however, may not be observed directly from our world, as our devices and sense organs have no access to the world in which counter-matter is contained. But counter-matter interacts with the opposite ends of gravity dipoles that prevail in its world and thus its state and behaviour impacts the behaviour of matter contained in our world. Because of this, counter-matter can be observed indirectly by registration of its interactions with matter from our world.

If we analyze all possible interactions that may occur between our matter and counter-matter, these may be two kinds, i.e. (1) those caused by the compression of the counter-matter and (2) those caused by its motion. The areas where counter-matter is compressed or decompressed must display all the attributes of what is presently known under the name of positive and negative electric fields. Thus the electric fields in the Concept of Dipolar Gravity represent the potential states of counter-matter. The motion of counter-matter will display all the attributes of magnetic fields. Therefore magnetic fields are the carriers of kinetic states of this substance. Both the above interpretations reveal that the electromagnetic phenomena in the Concept of Dipolar Gravity are understood as various states and behaviours of counter-matter.

D4.1. A magnetic field is a circulating stream of the counter-matter

It is unfortunate, to say the least, that science in the last decades of the 20th century is still not able to answer the question: "what is a magnetic field?". The highest authorities in magnetism, when confronted with this question, simply "put their heads into the sand" and evade the issue by providing a definition which describes the effects, not the causes, of a magnetic field. It seems that the medieval monks' explanation of magnetism as a "sort of holy phantom which emerges from one end of a bar magnet and disappears into the other end" is still repeated by modern scientists, merely replacing the occultist expressions with the same meaningless mixture of super-modern, abstract terminology.

The formation of the Concept of Dipolar Gravity finally provides the answer to the question "what is a magnetic field?", as well as explaining the principles of the formation of this field. Below is given a more detailed explanation of this phenomena.

It was experimentally determined that all electrically charged particles, such as electrons, protons, positrons, etc., are spinning like tops. One of the presentations of recent discoveries in this matter is contained in an article by Alan D. Krisch, "Collisions between Spinning Protons", published in "SCIENTIFIC AMERICAN", August 1987, pp. 32-40. Because each of the spinning particles is contra-balanced in the counter-world by a corresponding cluster of counter-matter, the rotation of this particle must also cause a circulation of counter-matter surrounding this cluster. This circulation of counter-matter could be compared to the formation of a miniature whirlwind by a child's toy - a "spinning top" - after setting it in rotation. As a result, micro-whirls of counter-matter must accompany

every electrically charged particle. In normal circumstances the axes of rotation for these billions of micro-swirls take chaotic orientations, therefore their actions mutually cancel one another's effects. For this reason in stationary charges the swirlings of counter-matter can be detected only on a micro-scale. The situation changes drastically when the particles are forced to flow. During movement they orient their axes of rotation in the direction of the flow of currents. Having parallel axes of spinning, the particles now accumulate their effects on counter-matter. Such an accumulation can be compared to the effect of hundreds of "spinning tops" swirling simultaneously in one room so that their miniature whirlwinds, reinforcing one another, cause the air in the room to rotate. The result is that the flow of electric charges orders their axes of rotation and thus form the large-scale circulations of counter-matter known to us by the name of "magnetic field".

To summarize the above in the form of definition we can say that a "magnetic field is a circulating stream of counter-matter". This means that the force lines of a magnetic field are in fact the drift lines of circulating counter-matter.

Counter-matter is a substance permeating that other world inaccessible from our set dimensions - see subsection D2.1. Therefore the circulation of counter-matter would be undetectable for our instruments, but would interact with other similar circulating streams of this substance. So it would behave exactly like a magnetic field.

When the electric current flows along a straight wire, counter-matter swirls around this wire forming a vortex magnetic field (i.e. a field having indistinguishable N and S poles). But when electric charges take on a circular flow, as observed in coils of electromagnets or within the atoms at electrons' orbits, then the dipolar magnetic field (i.e. field having clear N and S poles) is formed.

The model of the formation of a magnetic field presented above allows for a simple explanation of all the known phenomena connected with magnetism. For example, magnetization (or production of permanent magnets) is the process of putting into order the axes of the particles' rotation, by means of the action of the external stream of circulating counter-matter. (So it is a process that is the reverse of the formation of a field by the flow of charges). When analyzing any other magnetism-related phenomena we must inevitably reach the conclusion that the model presented above is the correct one and that it should be commonly accepted as soon as possible.

It is much easier to comprehend the properties of a magnetic field when the circulation of the counter-matter is imagined as the circulation of air. In such an analogy, one coil of an electromagnetic can be visualized as a propeller of an aircraft forcing the surrounding air to circulate. The analogy for a bar magnet would be a kind of "pipe" formed from billions of little propellers. To obtain the simulation of the interaction between two magnets, it is sufficient to consider the relative interaction between two streams of air circulated in that way. Of course, when applying the above analogy we should remember that counter-matter, unlike our air, possesses no mass, no viscosity, and does not create friction. Therefore all the attributes of a circulating stream of air which result from the above properties of this medium will not appear in magnetic fields.

There is a mass of evidence originating from areas other than magnetism, which additionally confirms the correctness of the counter-matter-based explanation for magnetism. Let us review some examples of this evidence.

#1D4. Nuclear physics provides numerous photographs of elementary particles, which show that the carriers of electric charges usually follow a spiral trajectory. Because the energy input for these particles may occur only at the initial point of their motion, such a spiral trajectory must be caused by some kind of disproportions in environmental resistance (e.g. a "spinning top" usually follows a spiral trajectory). To make it clearer: if particles would move in a vacuum, as present science claims, the trajectories of particles should be circular, elliptical, or parabolic (but not spiral).

#2D4. It has been noticed that the lights of the aurora borealis, visible close to the north (N) magnetic pole, look as if they fall from the sky to the Earth, whereas the lights of the aurora australis, appearing near the south (S) pole, seem to come from the Earth and ascend into the sky. The logical explanation for this surprising contradiction in the direction

of movement of the lights of both auroras is that this is caused by the motion of counter-matter, which in its circulation leaves the Earth at the south pole and sinks into the Earth at the north magnetic pole. (Notice that in this monograph, and in other works by the author, the north magnetic pole (N) is defined as the one prevailing at the north geographic pole of the Earth.)

#3D4. The application of the Principle of the Symmetry of Nature to the development of propulsion systems (see Table B1) reveals that three different generations of propelling devices will be completed, utilizing various properties of what we call a magnetic field. Some of these propulsion systems (e.g. Teleportation Vehicles) can only operate if the magnetic field is a circulating stream of counter-matter. Sightings have already been accumulated which confirm that a Teleportation Vehicle in fact can be built - see subsection K2.

D5. Why, according to the Concept of Dipolar Gravity, paranormal phenomena must display electromagnetic character

One of the attributes of natural evolution is that in living creatures it develops a wide range of sense organs and abilities that prove useful for survival. These sense organs and abilities make the best use of every property of nature that is available, independently of the owner's awareness of its existence. Therefore, if the Universe operates according to the Concept of Dipolar Gravity, it should be expected that people have already developed senses (chakras) allowing them to gain insight into the counter-world, and also have developed some organs (e.g. pineal gland) for altering the configuration of this world. And in fact human beings are capable of inducing some phenomena, known under the name of "paranormal", which fit into the definition of interacting with the counter-world.

From the Dipolar Gravity point of view, all paranormal phenomena caused by people can be classified into two categories, i.e. (1) reading the information contained in the counter-world, and (2) alteration of configurations in the counter-world. In the first category of reading the information from the counter-world can be included such phenomena as clairvoyance, telepathy, dowsing, distant illnesses diagnosing (e.g. the ability demonstrated by Edgar Cayce (1877 - 1945), the founder of famous Edgar Cayce Foundation from Phoenix, Arizona, USA - see book [1D] pp. 297-317), etc. In the second category of alterations introduced into the counter-world can be included such phenomena as: psychokinesis, bending of objects (e.g. spoons) by the power of mind (Uri Geller), bending of V-shaped divining rods by dowsers, psychic healing, levitation, etc.

The Concept of Dipolar Gravity defines paranormal phenomena as effects of various interactions with counter-matter contained in the counter-world. On the other hand, the conclusion from the previous subsection is that the name "electromagnetic phenomena" is assigned to physical manifestations of the various behaviours of counter-matter. Merging together these two findings leads to the general conclusion stating that:

"paranormal phenomena and electromagnetic phenomena are related to one another as both are manifestations of the interactions occurring between matter and counter-matter". The above conclusion can also be expressed in the following way:

"paranormal phenomena originate from various behaviours of counter-matter; physical manifestations of these behaviours are registrable under the name of electromagnetic phenomena".

There is a wealth of evidence already accumulated which confirms the above general conclusion. Let us review some examples of this evidence.

#1D5. Professor Janusz Slawinski of Krakow, Poland, has completed a series of experiments aimed at the registration and measurement of a beam of electromagnetic radiation popularly called a "Death Flash". This beam is emitted by all living organisms at the moment of their death. Some findings concerning "Death Flash" were presented in OMNI magazine, Vol.8, No.3, December 1985, page 115. It should be explained here that in the Concept of Dipolar Gravity the "Death Flash" represents a dislocation of counter-

matter caused by a separation of counter-material reflections (registers or software models) of dying organisms from their physical bodies. Religions describe such dislocations of counter-matter as a separation of souls from bodies. Because any motion of counter-matter manifests itself as the electromagnetic field, therefore, the above separation must also be registrable in the form of an electromagnetic beam (see also evidence #2D2.2 from the end of subsection D2.2).

#2D5. Research conducted on dowzers reveals that areas where their rods indicate some findings are also characterized by slightly different intensities of the magnetic field. Some descriptions of the results gathered in this matter are published in the paper by Tom Williamson, "A sense of direction for dowzers?", NEW SCIENTIST, 109 March 1987, pages 40 to 43. In the above paper the experiment is also described, in which a magnet is placed on the forehead of subjects and it drastically disturbed their ESP abilities.

#3D5. Acupuncture points are detectable in an electromagnetic manner. On the other hand the Concept of Dipolar Gravity explains these points as areas where the counter-material models of our bodies exchange signals with their surroundings. Because such an exchange would take the form of flows of counter-matter, the paths of these flows must be indicated by relevant electromagnetic properties.

D6. Telekinesis - a power source for free energy devices and a principle of operation for Teleportation Vehicles

It is certain that every available property of the Universe, which is utilized by living organisms can also be utilized technically. We have already built numerous devices that copy recognized functions of the human body (e.g. microphones, speakers, video cameras, computers, artificial hearts). Further devices are in the process of construction. As the Concept of Dipolar Gravity explains the principles of telekinesis, we should also expect that soon even more advanced devices will be completed whose operation will utilize a technological version of this phenomenon. Let us now briefly analyze the general concept of such devices, whose specific descriptions are contained in chapter B (see subsections B6.2.2 and B6.3).

The terminology used in this monograph is so selected that it indicates the origin of a given telekinetic motion. The term "psychokinesis" is given to the motion caused by the human brain. But the type of telekinesis caused in a technological manner, i.e. by a technical device not by a living organism, is called here "telekinesis". In spite of these two terms used to distinguish between human psychokinesis and technological telekinesis, the principles of this phenomenon in both cases remain exactly the same. From the Symmetry of Nature it can be deduced that telekinesis results from the utilization of the property of counter-matter called self-mobility, which is the magnetic equivalent of mechanical inertia. The explanation of the magnetic field as a circulation of counter-matter suggests that this self-mobility should manifest itself during the acceleration or deceleration of magnetic fields. Such acceleration or deceleration should either be obtained when the flow of counter-matter is rapidly interrupted (human psychokinesis) or when magnetic field force lines are physically accelerated or decelerated (technological telekinesis). Present research seems to suggest that humans produce such interrupted flows of counter-matter by that part of their brain called the "pineal gland". If this were the case then the key to learning about the nature of human psychokinesis would lie in the investigations with instruments of the magnetic connection between the pineal gland and common forms of human psychokinesis (e.g. bending of a V-shaped divining rod - see subsection D11).

The explanation for the principles of telekinesis derived from the Concept of Dipolar Gravity states that this phenomenon is a result of dislocating the mirror reflections (software models) of selected objects within the counter-world. Because of the gravity connection existing between the objects and their mirror reflections, such a dislocation must also cause physical objects to be moved in our world. To move the software models within another world no external energy supply is required. But the physical motion of objects within our

world will consume energy according to the Conservation of Energy Principle. Therefore, as the Postulate of Interchanging Thermal Energy states, objects moved telekinetically will absorb thermal energy contained in the environment. This makes telekinetic motion a reversal of friction. Similarly, as friction spontaneously converts mechanical motion into heat, telekinesis spontaneously converts heat into motion.

The simplest device which could utilize a technological version of telekinesis would be a "telekinetic motor". We could describe such a motor as a device which causes the motion of some of its parts by shifting in the counter-world the mirror reflections of these parts. Because the technological telekinesis can be released through acceleration or deceleration of magnetic fields, telekinetic motors must employ some sources of magnetic field. It was explained that shifting the counter-material reflections of the motors' parts will not cause any consumption of energy. Therefore the telekinetic motors are able to operate without any external energy supply. But according to the "Postulate of Interchanging Thermal Energy" described in subsection D2, the energy that drives telekinetic motors will be withdrawn from the environment, thus cooling it down. So, telekinetic motors will combine the function of "perpetual motion" with the function of a freezer - they will produce motion through decreasing the environmental temperature. The telekinetic motors, while operative, will also emit an "extraction glow", described earlier in subsection D2.

To illustrate how the design and operation of future telekinetic motors could be deduced directly from the Concept of Dipolar Gravity, it is necessary to analyze the technical ways of releasing telekinetic motion. An understanding of these ways requires our knowledge of the analogy (or rather reversal) existing between magnetic self-mobility and mechanical inertia - refer to the second generation of the mass circulating propulsion systems listed in Table B1. Guided by this analogy we can deduce that telekinetic motors will probably consist of three relatively moving parts, i.e. a stator, a field activator, and a rotor. The stator and field activator must house numerous sources of a strong magnetic field. These sources will be in a continuous relative motion, causing their magnetic fields to interact dynamically with one another. Such an interaction will accelerate and decelerate the circuits of the magnetic field, thus triggering a technologically induced telekinetic motion. The motion so released will be directed onto a third moving part, a rotor, making this part rotate also. The motion of the rotor will then be transmitted outside of the telekinetic motor and supplied to the devices propelled by it. A fraction of this motion will be returned back to the field activator, causing relative movement towards the stator, and in this way forcing the incorporated sources of the magnetic field to accelerate and decelerate their force lines.

The above deduction shows that the telekinetic motor in many ways resembles an advanced electric motor. After increasing its external work-load above a certain "critical value" (which depends on its design and on the efficiency of the sources of the magnetic field utilized in it), the telekinetic motor should even operate as an ordinary electric motor. The major differences existing between these two propelling devices can be limited to the following:

(1) In a telekinetic motor the propelling effect is produced not by the flow of a single stream of a working medium, but by a confrontation of two streams of a working medium.

(2) This motor uses two separate groups of magnets dynamically interacting with each other in order to accelerate or decelerate their fields. (In contemporary asynchronous motors only one such source of a rotating field is used.)

(3) An effective telekinetic motor will use not less than three relatively moving parts, i.e. a stator, a field activator, and a rotor (instead of two such parts appearing in contemporary electric motors).

(4) In order to release and utilize the highly advanced telekinetic motion, the telekinetic motor must meet rigorous technological requirements which do not apply to the simple operation of an ordinary electric motor.

It should be stressed here that, after applying the above descriptions to the circulation of air, the differences existing between a modern windmill (representing a pneumatic motor of the first generation - see Table B1) and an air turbine (representing a pneumatic motor of the second generation) could be described in exactly the same way.

Let us now summarize the characteristics of the telekinetic motor. It will employ interaction of two groups of magnetic fields to release the technological telekinesis. It will contain not less than three relative moving parts, two of which must house numerous sources of a strong magnetic field (e.g. permanent magnets, electromagnets or Oscillatory Chambers). Its operation, design, and technical requirements will be much more rigorous than those of contemporary electric motors. The power of the mechanical motion produced will be limited by the power of the magnets utilized in its construction. It does not need fuel or electrical energy in order to operate. Thus, it will make mankind's oldest dream come true: to have a device which works continuously without requiring any energy supply. While operational it will cool down the environment and emit the so-called extraction glow. The intensity of such cooling and emission will depend on the thermal energy exchange with the environment, which must match its yield of mechanical energy.

If telekinetic motors are combined with electricity generators, their operation provides a foundation for the development of "free energy devices", which in this monograph are called "telekinetic power-stations" - see the description in subsection B6.2.

The Cyclic Principle in the development of propulsion systems (see subsection D3 and Table B1) states that when the first commercially viable telekinetic motor is built, the completion of a second generation of propulsion systems utilizing the circulation of magnetic field force lines will commence. The next type of device developed in this generation will be the telekinetic propulsor used for transportation purposes. The transportation achieved in a telekinetic manner is called "teleportation". Therefore, the vehicles utilizing the telekinetic propulsor can be called "Teleportation Vehicles" - see the descriptions from subsection D6.3. Teleportation Vehicles will shift entire objects in space through altering the position of the counter-material reflections of these objects. Their operation also will not require any external energy supply, but during flight they will decrease the environmental temperature and emit an extraction glow. Therefore mastering the technological version of telekinesis will open a new era of teleportation in our transportation systems, bringing to an end the present period of traveling and moving by means of a physical dislocation of objects in space.

The principle of telekinesis, revealed by the Concept of Dipolar Gravity, indicates that objects moved in such a manner should theoretically be able to penetrate solid matter (e.g. walls, rocks, furniture, etc.) without any damage to their own consistency nor the consistency of the matter penetrated. In this way civilizations possessing Teleportation Vehicles will be able to demonstrate actions which are considered impossible with our present knowledge of physics. For example Teleportation Vehicles will fly through buildings or mountains and not leave even the slightest trace on them, whereas teleportative personal propulsion will allow us to visit someone's home by entering through the walls. Note that in this respect teleportation propulsion will differ from the first generation of magnetic propulsion (i.e. the Magnocraft) which will burn out glossy tunnels while moving through solid matter.

The above brief summary of the applications of technologically induced telekinesis shows how important it is for our civilization to advance research on telekinetic power-stations. The intensification of this research, through accumulating and extending our knowledge on a technological version of telekinesis, will soon culminate in the teleportative propulsors (Oscillatory Chambers) which will make possible interstellar trips to almost unlimited destinations.

There is already some evidence accumulated which confirms the feasibility of the devices described above. Let us look at some of this evidence.

#1D6. The first working models of telekinetic power-stations are already completed. These are known under the name of "free energy devices". Subsection B6.2.2 of this monograph describes some of them.

#2D6. There are numerous reports from UFO sightings that the vehicles of these advanced civilization are able to fly through solid matter or be penetrated by solid objects. Some of these reports can be found in the book by N. Blundell & R. Boar, "The World's Greatest Mysteries" (New English Library, London 1980, ISBN 0-7064-1770-4) - see pages

132 (people are able to walk through UFO-nauts and UFO vehicles) and 142 (a flying disc disappears into rocks). The report mentioned in #4C10.2 also provides evidence for such penetration of solid objects.

#3D6. In the TV program "The Magic of David Copperfield VIII", (CB, Director: Stan Harris) a scene shows David Copperfield walking through The Great Wall of China. Although this walk is claimed to be only a magician's clever trick, in fact this trick displays all the attributes of advanced propulsion systems based on teleportation (including emission of the "extraction glow").

D7. The model of the brain as an input-output device

According to the Concept of Dipolar Gravity every material object simultaneously exists in two worlds. The part of this object prevailing in our world (body) performs material functions, whereas the part prevailing in the counter-world (register) performs intellectual and time-dependent functions. The natural consequence of this situation is that in the process of evolution some more advanced life forms (e.g. humans, animals) must surely have developed organs that link together the parts from both worlds. The brain is an organ that most probably provides such a link.

It is registered in numerous cases that the memory remains even when portions of brain are surgically removed (see "Intersections of Holography, Psi, Acupuncture, And Related Issues" by D. J. Benor, American Journal of Acupuncture, Vol. 11, No. 2, April-June 1983, pp. 105-118). This contradicts the understanding to-date of the brain as a collection of "pigeon holes" into which data is packed and stored. Therefore, the long-term memory must now be explained in another way. Contemporary medicine prepared another explanation of memorizing based on the so-called "holographic model of our brain". This model assumes that the remembered information is distributed amongst all cells of the brain like a holographic picture, so that every cell contains complete information about everything. Thus, whatever part of the brain is removed, in other parts the same information is still preserved.

But this holographic explanation still does not match the existing facts. There is an increasing number of facts indicating that the memory of events can be preserved or passed on even while the brain that registered them is completely dead. These kind of facts originate from the so-called "psychic" experiences. An example of such experiences can be learning about a murder directly from the victim, or learning about past life ("reincarnation") when the subject of this life is already dead.

While any model of the brain based on the present single-world understanding of our Universe is unable to provide satisfactory explanation for the above facts, the model derived from the Concept of Dipolar Gravity leads to the explanation that matches all existing evidence. This is because in a dual-world Universe, the substance (counter-matter) filling up the counter-world displays the attributes of a natural computer, i.e. it intercepts, stores, processes and outputs the information. Thus, the existence of such a thinking and memorizing substance, allows us to store information in our registers contained in the counter-world, not in our physical bodies. The model of the brain which postulates this capability is called here "the model of the brain as an input-output device".

In the "model of our brain as an input-output device" it is assumed that we do not have in our heads any long-term storage (memory), but rather an input-output device which exchanges information with registers contained in the counter-world. Using "computer" terminology, our brain is not a computer itself, but only the equivalent of an intelligent terminal. This terminal is able to perform some limited processing by itself, as it possesses its own short term memory, however, in all important cases it refers to the information contained within the counter-world. The process of exchanging this information with the other world is known by the name of long-term memory system.

The model of the brain described above provides an excellent explanation for all facts and phenomena observed to-date. For example, such phenomenon as hypnosis is

defined as switching our brain entirely onto the perception of signals from the counter-world. Telepathy is exchanging the messages between different brains via the counter-world. Dreams are adventures of our registers in the counter-world. Multiple personalities can be explained as switching our brain to co-operate with more than one register of memories. Reincarnation is simply attaching the brain of a new person to the counter-material memory (register) of a person who is already dead.

One of the implications of the model of the brain as an input-output device is that it postulates the existence of a "universal language", i.e. a language in which the counter-matter thinks, and thus which is used by the entire Universe. It is called here DMLT (Data Manipulation Language of Thought). This language would be a natural equivalent to binary "machine code" in which our computers think. It would differ from the human spoken languages, and would be the language in which all living creatures conduct their thought processes. The existence of such an universal language not only enables brains to communicate with their counter-material reflections, but also enables communication between one creature and another (e.g. humans with animals, plants, UFO-nauts, etc.). It is extremely interesting that the existence of such an universal language was already suggested indirectly in the late 1950s by Noam Chomsky in his research concerning generative grammar.

At this point the author would like to stress that the existence of such a universal language of thoughts (DMLT) introduces numerous philosophical implications. Probably the most important of them is that this language must consist only of the "words" which correspond to the ideas and possibilities already recognized and applied in the Universe. Practically, this means that we are not able to think or to imagine anything that exceeds the capabilities of the Universe, as it simply would not have the appropriate "word" to be expressed in our minds. Putting it in another way "every goal which is possible to image in also possible to achieve". The problem with comprehending the above principle lies in frequently mixing up the goals with the ways of achieving them. For example the previously discussed idea of an antigravitational field in the concept of monopolar gravity, in fact represents only our demand addressed to the Universe requiring its particular way of operation. Therefore antigravity thus defined represented the way of achieving the goal, not the goal itself. If antigravity is limited to a pure goal only, i.e. to the formation of a force that repels one mass from others, then a number of possibilities for its achieving can be revealed, two of which (i.e. the Magnocraft and the Teleportation Vehicle) are explained in this monograph.

An especially important consequence of the discussed model of the brain is that it provides a perfect explanation for all forms of ESP. In this explanation ESP is a complex of methods for perceiving additional information (i.e. the information not stored by our own brain) from the counter-world. In order to gain this information, the brain of an ESP practitioner accesses the counter-material model (register) of the object subjected to ESP inquiry and reads from this register all the information required.

There is a wealth of evidence which confirms the correctness of the model of our brain as an input-output device. Let us briefly review some of this evidence.

#1D7. Communication between people and UFO-nauts. There are numerous cases reported when members of UFO crews communicated with people using some telepathic devices. These devices caused a direct and soundless transmission of thoughts between the brains of humans and the brains of UFO-nauts. Such a direct exchange of thoughts is only possible when the universal language mentioned earlier exists. The existence of this language in turn confirms the operation of our brains as input-output devices.

#2D7. Communication between people and plants. The universal language allows us to communicate with every possible inhabitant of the Universe - even including pot plants. It has been confirmed that pot plants grow better when someone talks to them with love and care. Moreover, there were experiments completed, which utilized equipment similar to a lie detector. These experiments proved that plants react with panic to our thought intentions to harm or destroy them.

#3D7. Communication between people and animals. It is well known that many people are able to "say" something to an animal, or insect, and that the message conveyed gets through somehow to the addressee, whose further actions prove the complete understanding of what was said. Any rational explanation for such communication must involve the operation of all brains (also those of animals and insects) as input-output devices.

The most well known person utilizing such communication was late Mrs Barbara Woodhouse, whose frequent appearance on British TV gained her world-wide fame (especially her "sit!" command).

In central Europe (especially in Poland, Germany and Czechoslovakia) there is a vivid tradition of peripathetic rat-catchers. Those extraordinary people earned a living by ordering rats, mice and even insects to follow them beyond the boundaries of the village that paid for this form of debugging. These pests were then drowned or burnt. The last of these rat-catchers was supposed to be still operative in an area of present Poland at the beginning of this century. One of the romantic records of these people survived in the form of the German legend of the Pied Piper of Hamelin.

#4D7. Animal instincts. It is well known that animals display abilities to resolve problems which definitely extend beyond the capabilities of their (or even human) brains. According to the model of brain discussed here, all brains (also those of animals and insects) must have the ability to access and read registers from the counter-world, thus the so-called instinct is only an animal equivalent to human ESP abilities. Animals can gain knowledge of correct behaviour in a particular situation by searching through the appropriate registers in the counter-world. There is a mass of evidence supporting this. Only some of this will be reviewed below.

a) Knowledge of correct behaviour in a critical situation. We can observe how a sick animal somehow recognizes the best food and treatment for a particular disease. During periods of drought, elephants, like our dowsers, find the location of shallow underground water sources, saving themselves and other animals. Dogs know the best way to save their masters in a moment of emergency.

b) Reading warnings of bad events. It is almost legendary that dogs can predict an imminent natural disaster and howl loudly as an alarm. In Japan they raise a special kind of aquarium goldfish which can detect an earthquake a few hours in advance. There is the well known claim of sailors that rats foresee a coming disaster and abandon in advance the ship that is going to sink. Favourite pets know about the death of their masters. Birds do not sing at the site of some former concentration camps. Some farm animals seem to know when they are designated to be killed.

c) Pets foreseeing their master's return. It has been observed that favorite pets know several minutes in advance that their master is going to return home and know also at which entrance they should wait to welcome him/her. Similar knowledge is displayed by little children who know a few hours in advance that their favourite relative is coming and he/she has something good for them.

d) The migration and navigation instincts of animals. The only satisfactory explanation for the migration and navigation instincts of some birds and fish seems to lie in ESP. Sea birds have no orientation points and they still return to their nests without error. There are known cases of dogs and cats returning home having been taken hundreds of kilometers away in windowless boxes. Some dogs are famous because of finding the way to their owners after those owners changed city or even country.

e) Synchronization of the movements of birds and fish. We may observe flocks of birds and shoals of fish as they maneuver simultaneously. No known physiological senses explain such perfect synchronization. A similar effect can also be experienced by two bicycle riders or car drivers who unexpectedly face each other on a collision course. They will repeat exactly the same maneuvers until they crash.

#5D7. Review of ones own life during the so-called Near Death Experiences (NDE). It is widely documented that the dying person relives again the most important events from his/her own entire life. Mr Mike Irving of 120 Terrace St., Invercargill, New Zealand - one of

the numerous people known to the author who has experienced this - describes it thus: "It was not just reviewing a three-dimensional movie of my life. It was as complex as in reality. I was there and I felt, thought and saw everything again. The only difference was that I observed myself as an outside witness and that I could not change anything in this review".

The review discussed here contains one element, confirmed by many participants, which excludes the possibility of the brain origination of these pictures, i.e. their nature is holographic. If the pictures were only a display of the biological memory content, they should present the events exactly in the same form as the eyes of the dying person saw them while they happened. But this is not the case. The review consists also of pictures of the person, presenting him/her as if he/she were filmed by an outside cameraman. Moreover, during the review details also are visible, which could not be noticed in a real experience, because they were inappropriately located towards the subject (sometimes scenes are presented which are happening behind some physical obstacles and by no means could be seen by the person involved). This characteristic indicates that the discussed review can not originate from the brain itself, but is read by the brain from the bank of information stored within the counter-world.

More information about the above phenomena can be found in the book by R.A. Moody, "Life After Life", Stackpole Books, 1976, ISBN 0-8117-0946-9, pp. 61 to 69.

#6D7. Double or multiple personalities. In the paper "Multiple Mix-ups", published in OMNI, Vol. 8, No. 2, November 1985, p. 94, some examples of people who experience complete changes of personalities are discussed. It seems that the same body can be occupied in turn by two or more completely different persons. The differences in these personalities can be so significant and their switching so complete that they affect not only the psychological, but also the biological state of a person. For example the different personalities (of the same physical person) may require different optics of glasses, or be allergic to different foods and medicines. The existence of this phenomena provides a further evidence in support of the model of our brain as an input-output device. This is because any rational explanation of multiple personalities must account for the switching of someone's brain to the register of a different person - synchronized with the simultaneous taking control over the entire body by this register (i.e. by the software model of a different person).

#7D7. Reincarnation. The details of previous lives can be recalled. Some children during normal activities, and also various adults during hypnotic regression or dreams, are able to recall details from previous lives. These details are very vivid, and prove themselves correct when verified by historical research or in a field confrontation. In addition other evidence, such as the rapid appearance of non-learned abilities or birth marks corresponding to injuries from a previous life, also confirm the concrete origin of these experiences. The main puzzle in all these recalls is where the remembered information is stored, as the previous physical bodies (brains also) are dead. The Concept of Dipolar Gravity provides the answer: in the registers from the counter-world. So the recalls of previous lives are simply accessions made to these registers. Numerous cases of recalling past life are documented in the book [1D7] by Joe Fisher, "The Case for Reincarnation", Granada Publishing Ltd., London 1984, ISBN 0-246-12650-7.

#8D7. Problem-solving in sleep. There is a well-known method of acquiring solution to our problems during a night's sleep. If we clearly specify just before falling asleep what our problem is and what kind of solution we are looking for, when waking up in the morning we will find out that we know the answer. As the knowledge that is acquired during the night must be input from somewhere, the above phenomenon additionally supports the model of our brain as an input-output device.

#9D7. Superstitions. It is well known that for some people superstitions are a reliable source of information on events that are going to happen. As every person sets his/her own warning signals, thus, making superstitions work must involve some kind of communication occurring between the brain of a superstitious person and the counter-world. The principle of this communication is identical to the one applied in involuntary forms of ESP, only that obtaining a reply does not involve pendulums or divining rods. Therefore, the claim of

numerous people that superstitions operate for them is the next confirmation of the correctness of the model discussed here.

The explanation for the operation of superstition derived from the Concept of Dipolar Gravity also reveals why it works for some people, and does not work for others. The reason for this is that one must have a clearly defined interpretation for the signals received. Devoted believers in superstitions adhere to one set of unambiguous signals which they always interpret in the same way. Therefore they work for them perfectly. The scoffers do not have their own signals, and only temporarily adopt someone else's while they are in the right mood or want to prove something. Naturally in such circumstances the superstition may not work for them.

#10D7. People with an undersized brain. Contemporary medicine registers numerous people, who display full intellectual capabilities, but simultaneously have an undersized brain. A number of such cases are documented in the book [1D7] by Dr. Benito F. Reyes, "Scientific evidence of the existence of the soul" (Theosophical Pub. House, Wheaton, Ill. 1970, ISBN 835601927). In some cases the size of the brain of these people does not exceed the kernel of a walnut. The existence of such people provides further evidence that the intellectual capacity of a person is not dependable on the size of the brain. This in turn proves that intelligence must originate from another source than the brain (i.e. from the counter-material model of a person) and that the brain is only an input-output device (terminal) which links people with their source of intelligence.

D8. ESP - a key to instant benefits from the counter-world

The name Extra-Sensory Perception (or ESP) is assigned to the various methods of acquiring information without employing the physiological senses. Examples of ESP are dowsing (i.e. detection of underground water or minerals), psychic illnesses diagnosing, predicting the future, telepathy, etc. As hitherto no explanation was known for the source of this information, there has been a generally bad feeling about ESP, and the majority of scientists qualify it as "scientific heresy".

The model of the brain as an input-output device discussed in subsection D7 provides an excellent explanation for ESP. In accordance with it, ESP is the result of acquiring access to the information contained in the "registers" from the counter-world. The mechanism of operation of ESP is described by the analogy of the counter-world to a huge computer program. Within this program are contained the registers mentioned earlier, which can be compared to the contemporary Data Bases. The human brain is a kind of input device which sets the appropriate "accession programs" (in a Data Manipulation Language of Thought or DMLT) that carry out a search through these Data Bases. The entire body is an output device which intercepts the received answers. Also the information acquired has the exact form of results obtained from a computer program. It can not be a concept or an explanation, but it is a YES/NO answer, a number (quantitative answer), a shape, a sound, or a direction.

The explanation of ESP principles derived from the model of our brain as a input-output device gives better understanding for numerous unexplained facts about this way of gathering information. For example it explains why ESP inquiry may refer to material objects - not to abstracts. (This is because only material objects possess their own counter-material models in the counter-world). It is also known that in order to inquire about another person, ESP practitioners must possess some material object belonging to that person. Again, according to the Concept of Dipolar Gravity, in order to access the software model whose address is unknown, we firstly must find the link (address) to this model through reading data from the model of the other object connected to the one searched for.

There are two types of ESP which we will call "cognitive" and "involuntary". They differ from each other because the first of them employs, whereas the second excludes the brain in the perceiving of answers. In cognitive ESP all replies to inquiries are forwarded straight to the brain where they are processed and synthesized into the final forms. To

achieve this, the mind of the inquirer must be in a special state, very difficult to introduce in normal circumstances. This state appears mainly during hypnosis, dreams, exaltation, etc. But some naturally inclined people, called "psychics", are able to obtain it whenever it is required. Probably in the future some training techniques will be developed, which will allow everyone to master this ability. Until then this type of ESP seems to be closed to mere mortals. Examples of it are: clairvoyance, precognition, telepathy.

In the second, involuntary type of ESP the answer signals are forwarded directly to the muscles of the inquirer, where they appear in the form of a muscular movement or a change in the electro-magnetic properties of the body (e.g. its electrical resistance). Because these effects are not consciously perceived, they are called involuntary. Examples of ESP utilizing them are: dowsing, and working with a divining pendulum. Involuntary ESP can easily be developed by everyone and the appropriate training techniques is described in subsection D8.2. Moreover, it provides much higher effectiveness than the cognitive one and can be utilized in practically every application, including such technical areas as repairing cars, designing new devices, verifying new ideas, etc. For this reason the examples discussed in the rest of this chapter refer mainly to involuntary ESP. But all the deductions and theoretical models (especially PDB) presented here, can be applied to both types of ESP.

The possibilities of ESP seem to be unlimited. It is likely to provide everyone with a direct and free access to the most powerful Data Base in the whole Universe. Perfectly correct information on every form of matter, i.e. on every object, organism, or person, that ever existed or will exist in the entire Universe, can be at everyone's finger tips. It is difficult to image how dynamic the acceleration of our progress may be, once we have gained a proper and complete mastery of ESP. For example the completion of new inventions such as the Oscillatory Chamber or the Magnocraft would then require only the time necessary for their technical realization and testing. All our present experiments and developmental procedures would not be necessary at all after the proper application of ESP.

It should be stressed, that in accordance with the Concept of Dipolar Gravity each person projects part of his/her body into the counter-world. Therefore theoretically each of us meets all the requirements necessary to successfully develop and use involuntary ESP technique. But to do this, some clearly recognizable signals, communicated involuntarily by our body must be developed and maintained. Without such signals the required information, after reaching us, can not be interpreted and understood. Therefore to make ESP work, continual practice is necessary, to maintain the same clear answer signals (e.g. in the pendulum-assisted ESP: the clockwise circulating of a pendulum for the answer YES, a swinging movement for the answer NO, and a counter-clockwise circulating for the answer ERROR IN THE FORMULATION OF AN INQUIRY). Since continual training is required, perfection in ESP can be achieved only by extremely strongly motivated hobbyist or people living from it professionally (e.g. dowsers). Only they can afford the time and energy for everyday practice to improve their techniques.

Out of all techniques of involuntary ESP, the greatest potentials for application in science and technology carries instrumental ESPs. Instrumental ESPs are all those techniques in which bodies of ESP practitioners are connected to some kind of instrument (pointer) which displays or interprets involuntary signals perceived by these bodies. Present techniques of instrumental ESP utilize for pointers very primitive equipment (e.g. divining pendulums, divining rods) which have not improved for many centuries. But conclusions from the Concept of Dipolar Gravity, especially those concerning the electromagnetic manifestation of paranormal phenomena (see subsection D5), open the way for utilizing more sophisticated and reliable electronic equipment. Those conclusions indicate that using devices similar to "lie detectors" would increase significantly the reliability of ESP answers.

Presently most popular technique of instrumental ESP involves the application of divining pendulum. This technique seems to be easiest to master, does not require any sophisticated equipment, is universal, and gives quite reliable and repetitive answers. Its disadvantages include: (2) the difficulty of use in open or unstable areas, where the action of wind or waves disturbs the movement of a pendulum (therefore for confirmation in a

natural environment, findings of a pendulum are usually supplemented with the use of a divining rod), and (2) the requirement of continual practice to maintain the reliability of signals. Let us now review the evidence accumulated by the author so far, which proves the effectiveness of the pendulum-assisted ESP.

#1D8. Water divining on a map. This is one of the most popular applications of the pendulum-assisted ESP technique. In this application the main part of the search is conducted within the diviner's office. A client is asked to draw or to present the map of a searched area. Then, using a pendulum, this map is oriented towards geographic north, so that the north on the map points northward also in the diviner's office. The next step is finding and marking on this map the course of main streams of water in the searched area. For each of them the efficiency of the flow, the quality (clarity) of water and the underground depth of a stream is determined. After the client decides which stream he/she would like to exploit, the diviner visits the area and points out its exact location (this time using a divining rod). Further details about this application can be learned from numerous books dedicated to water divining, or from Mr. Brian J. Watson, 145 Tarbert St., Alexandra, New Zealand, who is one of the diviners utilizing it practically.

In the above application of the pendulum-assisted ESP, the drawing of a map is frequently replaced by using an already printed one. But this printed map must be located only on one side of a piece of paper (i.e. the other side should be blank). This is because the information on a map represents an abstraction, whereas the piece of paper on which it is drawn constitutes the material object. So the register belongs to this piece of paper whereas the map is stored only as information written into this register. When a paper is printed on both sides its register contains two sets of information which can be easily confused by a diviner searching through it.

It is extremely stimulating to analyze the methods of acquiring quantitative information (i.e. efficiency of the water flow, iron content of the water, underground depth of the stream, etc.) used by various dowsers. Each dowser uses a method which differs from that used by other dowsers, but at the same time each one of them meets the requirements of Perfect Data Base (PDB) described in subsection D8.1. Reviewing these methods reminds one of looking at programs by various authors prepared in such a way that each program applies a different procedure, but all of them access the same Data Base and answer the same questions. An analysis of these methods reveals how accurate and how useful the PDB analogy in describing the ESP phenomena is.

#2D8. Minerals divining. Techniques of instrumental ESP, in a way similar to water divining, can also be used for finding other substances, minerals or objects. The principal requirement in such a case is that the diviner holds in his hand, or looks at a sample of the substance or the identifying attribute of the object that he is searching for. To meet this requirement, diviners frequently use pendulums made of the substance they are searching for. Some of them use a transparent pendulum formed as a kind of bottle into which they put the searched for mineral.

#3D8. Designing new technical devices. In 1985 the author of this monograph met Mr Alan Plank, a professional dowser - see Figure D1. Mr Plank spends much of his spare time quite successfully mining gold, for which he utilizes the pendulum technique to locate deposits of gold. For the purpose of this mining, Mr Plank needed a very efficient pump, able to withdraw not only water but also stones, sand and pieces of gold. Everything that industry offers in this matter is not efficient enough, and also the technical solutions used in the commercial pumps are inadequate for the purposes of gold mining. Therefore Mr Plank decided to build a suitable pump by himself. Because he is not an engineer, he asked his pendulum for professional help in designing his pump. On a piece of paper he drew the lines indicated by the pendulum. The pendulum also indicated the dimensions and materials. The final construction is extremely simple. It contains no moving parts, and is run by compressed air supplied from a cylinder or a portable compressor. An hydraulic engineer consulted about the design pronounced that it would not work. But the pump worked perfectly after being built, with the efficiency of about 30 thousand gallons per hour. Mr Plank claims that his design is about 30% more efficient than the Venturi pump, to which its

principle of operations is similar. The most unusual aspect in the entire case is that the first prototype of the pump began to work perfectly, immediately after being built. Everyone who deals with the implementation of mechanical designs knows that for each new device it is absolutely necessary to complete a whole series of prototypes, in which every subsequent one is only a slight improvement in relation to the previous, and more faulty ones.

Readers who are interested in learning further technical details about Mr Plank's pump or his dowsing techniques may contact him at the following address: P.O. Box 7051, Invercargill, New Zealand.

#4D8. Machine diagnostics. Some dowsers use a pendulum-assisted ESP technique to locate the cause of malfunctioning in a particular machine. If they do not know the construction of a checked device, they use a drawing of it (printed on one side of paper only!) presenting every internal detail. If they know the structure of a diagnosed machine they work directly on it. To find the cause of malfunctioning they concentrate on it, element by element, asking the pendulum about its state, until they locate the problem. It is claimed that a diagnosis of cars conducted by the pendulum method can be just as precise as one performed by sophisticated electronic equipment. Examples of practitioners who utilize the above application are: Mr Alan Plank of New Zealand and Mr Wojciech Godziszewski, ul. Szczecinska 32/7a, 72-003 Dobra, Poland.

#5D8. Illnesses diagnosing. The pendulum technique is also frequently used for the location and recognition of illnesses and for curing them. The location of an illness is conducted in an identical manner to the location of malfunctioning in a machine. For the cure, each practitioner uses his own method. An example of practitioner who pursues the medical application of the pendulum technique is: Mr Wojciech Godziszewski of Poland.

* * *

The above examples present only a few of the numerous applications made possible by the mastering of a pendulum-assisted ESP technique. Unfortunately, to utilize the enormous potentials of ESP as a scientific tool, a lot of work still needs to be done. Our use of these abilities to-date has been based more on the empiric discoveries of individual hobbyists and on the enthusiasm of some devoted practitioners than on solid research or proven methodologies. To transform these spontaneous experiments into a reliable tool of scientific investigation, new tools and methodologies need to be developed and the subjective factor needs to be removed. All of these can be achieved only in an atmosphere of complete recognition and approval of the duality of our Universe (i.e. of the independent co-existence of its hardware and software components). But the effort of promoting new attitudes and intensifying the development of ESP techniques is worth pursuing, as there is conclusive evidence that the mastering of ESP may save a lot of unnecessary experiments, errors and expense in the completion of the Oscillatory Chamber and the Magnocraft (compare the invention of Mr Plank's pump). The author has already started some research in this direction and would be extremely delighted to hear from readers who wish to co-operate or to contribute in the application of ESP as a scientific tool.

D8.1. Perfect Data base (PDB) as a theoretical model of ESP

Generations of ESP practitioners have accumulated various data concerning the potentials and limitations of this method of acquiring useful information. But hitherto there was no theoretical model available that would provide a tool for the clear prediction of what is possible through ESP and how it should be achieved. The author now introduces such a model which is to be called a "Perfect Data Base (PDB)". The PDB is a purely hypothetical computer containing in its storage the detailed and complete data (registers) for every material object that ever existed or will exist in the entire Universe. The PDB has no data available on principles, concepts, and other non-material abstractions; therefore it does not understand inquiries referring to them, unless these inquiries are referred to the objects that represent these abstractions. The PDB conducts all processing instantaneously, independently of how distant in space or time is the object whose register is being

searched, for the purpose of the completion of this processing. The PDB understands and executes inquiries formulated in a human language, and it inputs the processing commands straight from the brain of an inquirer, when they are still in the form of thoughts. The PDB is able to perform any type of operation that other computers can do, and the results of its processing are always absolutely correct.

The introduction of the Perfect Data Base allows us to predict easily the operation, possibilities and limitations of every form of ESP. Each problem that could be resolved by PDB may also be resolved by ESP, and the formulation of a problem for ESP must also be identical to that required for PDB. This means practically, that perfection in ESP requires a mastery of the same rules and principles that programmers utilizing Data Base must know. Therefore for professionals in ESP and for investigators of that phenomena appropriate courses in computer programming would be extremely valuable.

The concept of PDB is a key to understanding, developing and mastering ESP. To realize how helpful it can be, below are listed some of the vital attributes of ESP explained in the PDB example. Those readers who have already had some experiences with ESP, when reviewing the descriptions that follow, will appreciate the benefits provided by the concept of PDB. For other readers these descriptions will perhaps reveal that ESP is only one more of our natural abilities, which instead of being ignored or derided should rather be investigated and utilized.

1 . We are born completely equipped as terminals for PDB. Our brain is the input device, which transmits our wishes, intentions and inquiries, formulated in the Data Manipulation Language of Thought (DMLT). Our entire body is the equivalent of PDB output devices that intercept and display the information received back. In some forms of ESP, additional equipment is used (e.g. pendulum, divining rod, etc.) which performs the function of a pointer that helps to exhibit and interpret the answer signals intercepted by the body. For this equipment no special "magical" requirements are imposed. It only needs to suit the type of involuntary signals developed individually by the body of a particular user. A potato suspended on a string or a branch from the nearest tree, in the hands of experienced user will provide the same correct answers as the most sophisticated divining pendulum or rod.

2 . There exists a kind of universal language (called here DMLT - see subsection D7) that is used by the whole Universe. This language is utilized by the counter-matter for expressing all information recorded within the software registers. Our entire thinking process is conducted in DMLT, and all other living creatures also use this language. DMLT is a language in which we formulate our ESP inquiry. DMLT does not correspond to any human language and when we talk, our expressions are automatically translated from DMLT into the spoken language. Sometimes we recognize that we know something in DMLT but we have forgotten the appropriate word in the spoken language. Also many people who have changed their country and language very clearly experience that their thinking occurs in some kind of universal language, which is different from those which they use for speaking. An illustration for DMLT from the PDB model would be a machine code (machine language) in which contemporary computers "think". This machine code differs from the programming languages in which the same computers communicate with their environment (programmers).

3 . Every ESP inquiry must be formulated in the same unambiguous and resolvable way as do the inquiries to computer Data Bases. It must refer only to recognizable material objects whose registers need to be searched to resolve the problem, and also it must clearly describe the kind of processing that should be done. Correct ESP inquiry may not involve any processing of abstractions, concepts or ideas, as these do not have registers (data) in the counter-world. For example the question: "What is the temperature of this room expressed in Celsius degrees?" contains an abstraction (Celsius degrees) and therefore the PDB would not be able to understand it nor to answer correctly. But the same inquiry formulated in another way such as "What would be the temperature reading on the thermometer in my office if it were hanging on the wall of this room?" will receive the correct answer expressed in accordance with our first intention (provided that the indicated thermometer from our office is scaled in Celsius degrees). As it is impossible to eliminate

completely mistakes and "bugs" in the formulation of our inquiries, every ESP user should develop a clear signal meaning "NO REGISTER AVAILABLE". The lack of such a signal puts ESP inquiry in the situation of a wrongly programmed computer (PDB), which for invalid inquiries must still provide some answers (in accordance with the programming rule "Garbage in - garbage out"). ESP seems to operate perfectly - if the answers are wrong the reason most probably lies in a faulty application of it.

4 . All types of data processing that are possible in our computers are also possible in ESP. To achieve a particular type of processing it is only necessary to provide a thought-definition of what actually should be done. The above also means that the types of inquiries unanswerable to our computers (e.g. formulation of new ideas) are unachievable through ESP as well.

5 . Every object referred to in an ESP inquiry must be unambiguously identified and easily recognizable among the billions of similar objects existing in the entire Universe. Such a strict identification of THE considered object enables us to search in the right register. There are only two ways of identifying the objects: (1) the inquirer must know them personally and imagine their appearance or see them at the moment of inquiring, or (2) the inquirer must think of, or look, at another object that has a material connection with the subject of inquiry and therefore the searching of the latter register will provide the link to the searched-for object. The second object, which enable us to trace the register of the main object of inquiry, is called an ID key. In the case of an inquiry about an unknown or absent person, the ID key can be his/her photograph, hair, blood sample, or a personal belonging. Again it should be stressed here, that the ID key can not be an abstraction (e.g. a name or a spoken description) as abstractions do not have their own registers that can be searched in order to find out the link to the register of a person being sought.

D8.2. How to develop a simplest pendulum-assisted ESP technique

Readers who reached this point of the chapter are sufficiently prepared to initiate their own experiments with the pendulum-assisted ESP. The most difficult part of such experiment is to find out how to start them (once we started we can find further guidance in appropriate books). To assist in this, described below is an initial set of exercises.

To develop a pendulum-aided ESP technique, one must start with preparing, or purchasing, a divining pendulum. Any bullet-shaped object suspended on a thread, which was not used before for this purpose will excellently perform this function. If there is nothing better available, a heavy needle or a ring will do. Professional dowzers are very strict in not allowing other people to use their pendulums. The Concept of Dipolar Gravity seems to justify this behaviour, because it indicates that information about the interpretation of the answer signals can be stored in the pendulum's register. So if it is used by someone else who utilizes a different set of signals, his/her interpretations will be recorded on top of ours, causing confusion in all subsequent applications. Therefore to succeed with the completion of these exercises we should make sure that the object we have chosen for the pendulum was not ever before used by someone else for the same purpose. Also if we exchange the pendulum for a new one, we should repeat the development procedure from the very beginning, in order to record into its registers the interpretations for our answer signals.

The first stage of our exercise is to develop the signals "NO" and "YES". We begin with development of the signal NO. For this purpose we utilize a bio-field induced by the blood transfer in our veins. To induce this signal we suspend the pendulum over the veins in our left wrist, holding the thread in our right hand - see Figure D2. The flow of our blood will induce the pendulum to swing along the veins. To check that the line of pendulum's swinging follows the direction of the blood flow, we slowly change the angle of our left hand. The plane of the pendulum's swing should adjust to this new course of the veins. To develop the signal YES we utilize the change of bio-potentials appearing between our left thumb and forefinger. Positioning these fingers into the "U-shape" we form the bio-half-circle which will be followed by the pendulum. When the pendulum is suspended in

the centre of this U it starts to circulate in clockwise direction - see Figure D3. In future we will interpret such a circulating movement as a YES answer.

The readers who have used a pendulum before and have already developed their own (different) NO/YES signals, should continue to interpret these signals in the manner they were originally defined.

After successfully developing NO/YES signals we can begin the second stage of our exercise, aimed at utilizing these signals to answer our questions. To accomplish this we use two reversed saucers, under one of which we ourselves place the sought object. Then we suspend the pendulum above this saucer and, visualizing the object in our minds, we ask whcounter-matter the object is hidden there. The pendulum should answer YES by circulating in a clockwise direction. Now we suspend the pendulum above the other saucer and ask the same question. The pendulum should swing in a straight line displaying a clear NO signal. Such simulated inquiries should be repeated until the formulation of our question will induce an instantaneous signal of the correct answer.

In the third stage of developing our ESP technique we conduct exercises with an object hidden by someone else under one of three sources placed upside down on a table. Now we learn how to concentrate and what kinds of psychic processes lead to the correct answers. The score will initially oscillate around the probability level, as we are still learning the technique. During the exercise we should try to detect, identify and memorize all these processes occurring within us, which lead to the correct answers of the pendulum. Therefore each time we score a hit, an analysis of our inner experiences should be conducted. We should repeat the elements recognized in such an analysis in our next approach. Similarly, when we miss, we should deduce what distracted us and then in the next approach we should try to avoid it. The most destructive tendencies which we must learn to eliminate at this stage are the attempts to guess, using our logic, and the temptation to change the interpretation of the answer signals. Logic will try to tell us where the object is (usually wrongly!), but we must make an effort to ignore any such logical suggestions. Also, when we miss, we will have the temptation to reverse the interpretation of NO/YES signals. We are not allowed to do this and we must keep firmly to the meaning of these signals originally decided upon. If the signals seem to not work and such a temptation becomes strong we should repeat from the very beginning all three stages of our development procedure. We should continue the third stage of our development, described in this paragraph, until we become aware that the correct signals from the pendulum are always accompanied by the unique feeling of "inner satisfaction". When we learn to recognize this feeling, our technique is finally developed.

In the developing procedure it is extremely important to choose correctly the object to be hidden under the saucers. It should be something unique, possibly existing in only one copy, easy to visualize, having an agreeable shape, inducing pleasant memories, and made of a different substance from that of the dishes under which it will be hidden. It would be a mistake to choose a coin, as there is a lot of similar coins in the world, so when visualizing it, our mind could approach the wrong register (for example the register of a coin from our purse, instead of the one hidden under the saucer).

Although the above developmental procedure was designed for a pendulum-assisted ESP, similar set of exercises can be used for any other kind of instrumental ESP. Therefore people having some mastery of electronics, perhaps should try to build own devices similar to "lie detectors" and then initiate with these devices pioneer research on the development of "electronically-assisted ESP".

D9. How the Concept of Dipolar Gravity explains some mysterious phenomena

Numerous people are experiencing extraordinary phenomena, such as psychic healing, spontaneous human combustion, fire walking, near-death experience, ghosts, etc. All these kinds of experiences were unexplainable in the previous one-world Universe. But the Concept of Dipolar Gravity introduces new quality to our Universe making the

explanations of these phenomena quite simple. Below are provided some of these explanations derived from the Concept of Dipolar gravity.

1 . Psychic healing. The Concept of Dipolar Gravity indicates that two types of psychic healing must exist, which are called here: psychokinetic and psychomotive. The psychokinetic healing operates on software models (counter-material registers) of human bodies. It includes such forms as: faith healing, radionic healing, etc. The psychomotive healing operates on physical (material) bodies. This includes such forms as: psychic surgery (opening physical bodies with psychomotive forces, psychic dentistry (growing or filling tooth), etc. For practical details see book [1C].

The principle of all forms of psychokinetic healing corresponds closely to the principle of telekinetic motion - see subsection D6. In this healing the healer's mind affects the software model (counter-material register) of an ill person, thus psychokinetically returning this register to its original configuration. Changes in the counter-material body are in turn reflected to the physical body, which subsequently is restored to the health.

Notice that the effective psychokinetic healing must be accompanied by the emission of an extraction glow from the healed body (see the evidence #5C2). Therefore the photographing of the healed body should lead to the detection of this glow. (This also can be used for the distinguishing between the frauders and real healers).

The principle of psychomotive healing differs from that of psychokinetic. In psychomotive healing the healer's mind sends telepathic signals which cause the healed body to display certain reactions (e.g. open itself, grow teeth, etc.). Thus, in this type of healing the psychic processes occurs in the healers body, whereas in the healed body only physical processes occur (which, however, are telepathically induced). Psychomotive healing is NOT accompanied by the emission of the extraction glow from the healed bodies, but the healers emit the dispersion glow. Therefore photographs of those healers should show a change in the colour of their skin.

2 . Hypnosis. The Concept of Dipolar Gravity defines hypnosis as a state when subject's sense organs are tuned into the reception of signals from the counter-world. For this reason during hypnosis we may access the registers contained in the counter-world, which in conscientious state are inaccessible for our perception.

Notice that according to the Concept of Dipolar Gravity time is motionless, but we move through time (see subsection D3). Therefore during hypnotic regressions (and also during dreams) we can move to any point in time, and "re-live" again the events that took place at this point. Such free manoeuvres through time represent the main reason why hypnotic reconstruction of events can be so accurate. This is because in the hypnotic state a subject can return to events from the past and "freeze time" for the duration that is needed for noticing, examining, and describing all the necessary details.

3 . Spontaneous human combustion. The principles of this phenomenon are similar to that of psychokinesis, except that instead of a physical release, a chemical reaction is completed. This chemical reaction, in a way similar to the carrying on a telekinetic motion down hill, releases enormous amounts of thermal energy, which finally burns the subject. The mechanism involved in the release of this energy is explained in subsection D11. Notice that the initiation of this phenomenon is based on a positive (self-perpetuating) loop, i.e. the mind of a person who somehow becomes hot begins to panic that he/she will burn, and this panic psychokinetically escalates chemical reactions that produce more heat, thus creating more panic, etc.

4 . Fire walking. Some people are able to walk through fire and not burn their feet. Various "hardware" explanations for this phenomenon were not confirmed experimentally. The Concept of Dipolar Gravity gives a "software" explanation based on the interpretation of time presented in subsection D3. In this explanation the mind of fire-walkers slows down the speed of time elapse for the hot surface they walk through. Therefore the heat transfer from the ground into feet is also slowed down proportionally to this time elapse. Notice that only extreme psychic tension of the walkers leads to the successful deceleration of time and thus to not-burning their feet.

There is a possibility of experimental confirmation of the above explanation. This is because a number of experiments can be designed which could actually detect the slowing of time elapse in the fire.

5 . Ghosts. Ghosts represent the activities carried out by software models (counter-material registers) of dead people or animals. Principles of ghost activities are exactly the same as principles of dreams. Also all characteristics of the ghost activities correspond to the those of dreams (see item 6). Ghosts operate in the counter-world, but some effects of their activities, similarly like some effects of our dreams (e.g. poltergeists), may telekinetically affect the matter. Therefore ghosts may move some objects and create images made of the extraction glow. These images are possible to observe and to photograph. Ghosts, according to the subsection D5, must also induce some electromagnetic phenomena (see evidence #1C5).

Notice from subsection D2.2 that people who died in the centre of a nuclear explosion do not exist as ghosts, because such an explosion destroys both their physical and counter-material existence. "Those who died from a nuclear bomb, died into nothingness, and never can be re-born again."

6 . Dreams. The Concept of Dipolar Gravity distinguishes between dreams and night visualizations. The night visualizations are only non-coordinated, colour images created inside of our sleeping brains. Thus, they occur in the physical world. Dreams are real activities carried out by our software models within the counter-world. Therefore dreams display all properties of such activities (e.g. logic, consistency, symbolism, etc.) and also display the properties of the counter-world (e.g. colours expressed by information not by appearance, lack of physical attributes {weight, blood}, etc.).

Night visualizations are already explained by various theories of contemporary medicine. The Concept of Dipolar Gravity does not change these explanations.

Dreams do not obey the contemporary medical theories. The Concept of Dipolar Gravity explains them differently than just pictures from our brains. In this concept, dreams are real actions and adventures carried out in the counter-world by software models (counter-material registers) of sleeping people. These adventures are achievable through temporary separations of our software models from physical bodies. Therefore dreams are characterized by a number of unique properties which result from their adventures' character and from placing them in the counter-world. Some of these properties include:

- "Software" attributes of dreams. These attributes include: the expressing of colours as an information, not as an appearance (i.e. in dream every object looks as having a sepia colour, but we actually are aware of different colours that various objects have and we can "read" these colours from the registers of these objects), a different structure of our dreamed bodies (e.g. software models of our physical bodies do not contain physical, red blood), indestructibility of our counter-material bodies (i.e. in dream we never get killed or loose a part of our body, although we may frequently experience someone or something attempting to hurt us; whatever happens in dreams, our counter-material {dreamed} bodies remain unaffected), etc.

- Logic, abstraction, and prophetic nature of dreams. The counter-world is more logical and abstract than our world. It also allows us to insight registers of distant objects, and to see events that these objects will experience at any chosen instant of time, including the distant future.

- Differences in our motion capabilities (the movements in the counter-world obey a different set of principles than those movements from our world; e.g. we can fly and levitate without a movement, or remain in one place inspite of completing rapid mobile actions).

Notice that the defining dreams as "night adventures in the counter-world" provides a perfect means of verifying the correctness of the above explanations. This is because dreams so defined request all people participating in the night adventures of a particular person to also experience the same dream at some stage. Unfortunately there are two factors which make this verification difficult, i.e. (1) forgetting ratio and (2) time shift. It is proven that we remember only a small fraction of our dreams (sometimes less than 1% of what we dream). This practically means that, although all people appearing in a particular

dreamed adventure in fact participated in it, only in extremely rare occasions more than one of those people will remember this adventure. Even more obstacles to the verification of the above explanation introduces time shift. The interpretation of time in dipolar gravity (see subsection D3) reveals that in the counter-world we may travel through time, thus experiencing events that happen at different times, i.e. in the distant future as well as in the past. Therefore participants who meet in a dream that occurs at a particular instant of time, may come to this instant from different starting times. This means practically that the same adventure involving time shift can be dreamed in a different time by each one of its participants.

In spite of the above difficulties, the author already found a person (Suzanne Poutu of Dunedin, New Zealand) who claimed that she and her friend both experienced exactly the same dream. The author would be delighted to hear from other people who also discovered that their dreams were exactly repeated by someone else.

* * *

The explanations of mysterious phenomena provided in this subsection have one common denominator, i.e. all of them include some attributes which enable their experimental confirmation. In this way the explanations provided here are more than just hypothesis: they pave the way for gradual finding the truth. Notice that experimental confirmation of any of the above explanations will extend the evidence in support of the Concept of Dipolar Gravity as a whole.

D10. How the Concept of Dipolar Gravity merges science with religion

The Concept of Dipolar Gravity reveals that, as well as a number of physical properties, the counter-matter also displays two intellectual properties. These are: (1) the ability to store information and (2) the ability to think. The ability to store information is manifested by recording in the registers made of this substance: (a) the entire history (events) of the objects that are reflected by these registers, (b) the programs which express the passage of these objects through time (fate). (The history of objects can be later accessed through a long-term memory system, whereas the programs of these objects can only be viewed through ESP, dreams, hypnosis, etc.). The second unusual property of the counter-matter, i.e. its ability to think, reveals itself through the intelligent responses obtained from our memory requests or from ESP inquiries. The characteristics of these responses suggest the computer-like thinking conducted by this substance.

Counter-matter which thinks and memorizes is a novelty for us. It introduces numerous implications of enormous significance to every aspect of our lives. Some of these implications, which concern the most sensitive areas of our intellectual activities, are discussed below.

D10.1. The Universe as a whole possesses its own intellect

The counter-world operates like one huge, self-programming computer, which intercepts, stores and processes information, analyses and replies to inquiries, develops or alters programs that control the course of events in the world of matter, etc. - see subsection D7. All these abilities are the main components of every intellect. Therefore the counter-world seems to possess its own intellect, similar to a human one, i.e. characterized by the ability to communicate, memorize, think, and even perhaps possessing a self-awareness. In this monograph the intellect occupying the counter-world will be called the Universal Intellect.

The deductions from previous subsections revealed the characteristics of this Universal Intellect. Let us summarize below the main elements of these characteristics, making sure that only the attributes which directly result from the Concept of Dipolar Gravity are listed.

(1) The carrier of the Universal Intellect is an omnipresent substance (i.e. counter-matter) which independently from its intellectual functions performs numerous physical functions, e.g. forms mirror reflections of every material object existing in the Universe, creates circulations known to us by the name of magnetic fields, enables the telekinetic motion of objects, etc. For this reason, every event or activity involves participation of the Universal Intellect (e.g. even the ordinary eating of bread, in fact, can literally be interpreted as consuming the "body" of this Intellect).

(2) This intellect is invisible and undetectable to our senses, as it occupies another world, separated from ours. But it can be recognized and investigated by human intellects.

(3) Its dimensions and shape correspond to the dimensions and shape of the entire Universe - see Figure D4.

(4) It forms separate software models (registers) for every physical object that has existed, exists or will exist in the entire Universe. The objects which will appear in the distant future seem to have these models already. Evidence also ascertains that such software models are still kept (and can be accessed) after the physical destruction (death) of the object that they describe.

(5) It is superior to human intellects and seems to control them, but at the same time it is also a main component of each of them. This allows the comparison of each person to a tiny droplet of water in a river, i.e. being separate but at the same time being a part of that river. (6) It maintains a continuous communication with the brains of all living creatures, via input-output capabilities of these brains. Therefore whatever someone's thoughts are, his/her brain conveys these thoughts to the Universal Intellect, which in reply prepares appropriate responses (i.e. memory recalls, intuitive suggestions, ESP answers, responses from moral laws, etc.).

It is astonishing how closely the above characteristics of the Universal Intellect correspond to the idea of God forming the nuclei of every religion. Therefore, on one hand the recognition of the Concept of Dipolar Gravity creates a bridge that merges modern science and religions. On the other hand the same Concept reveals that the entire universe is a supreme being whom we can get to know better through scientific investigations. In this way the Concept of Dipolar Gravity also formulates a scientific foundation for universal religion. Of course we must remember that this Concept was formed fairly recently (i.e. in 1985 - see monograph [2F] "d") and that an entire ocean of further knowledge still waits to be scientifically discovered, and investigated.

The existence of the Universal Intellect has been speculatively deduced and intuitively perceived since the beginning of our civilization. Therefore for many readers the conclusions from this chapter will not introduce any surprise. However, the formulation of the Concept of Dipolar Gravity has opened a completely new possibility in this matter, i.e. it allows us to obtain experimental proof that will objectively confirm the existence of the Universal Intellect. Therefore this Concept contains the potentials of transforming religious subjects hitherto considered to be only the matter of revelation, trust and beliefs, into the subject of objective knowledge, certainty, and scientific investigation. To attain such proof, it is enough to design and successfully complete experiments which will prove that:

- 1 . The counter-world exists.
- 2 . This world continuously intercepts and stores all information (i.e. it contains the registers described earlier).
- 3 . This world is capable of effective thinking which provides the solutions for specified problems.

At this point it should be stressed that the first of the above proofs have already been worked out (see subsection D11). The completion of the rest of them seem to be only a matter of time. As well as the above experimental proof, a number of further facts confirming the existence of the Universal Intellect can be indicated. Let us mention some of these facts.

#1D10.1. ESP messages experienced by numerous people. These kinds of experience supply us with the continuous confirmation of the intellectual abilities of the Universe as a whole. They prove that: (1) the Universal Intellect continuously collects,

stores and offers access to all details on every subject; including our thoughts, feelings, attitudes, sightings and other data which are our private secrets, (2) this intellect analyses our thought-questions, prepares answers to them and communicates these answers to us.

#2D10.1. The Moral Laws (see subsection D10.2). The existence of these laws is pronounced by almost every religion and confirmed by numerous sources (e.g. folk wisdom, UFO-nauts, etc.). The operation of moral laws indicate that some supreme intellect continuously analyses our actions and thoughts, judges their moral content, and prepares appropriate responses that match our behaviour. Thus the operation of above laws represent a confirmation for the existence of a supreme intellect.

#3D10.1. Near-Death Experience (NDE). Many people who returned to life after experiencing clinical death, remember and report talking to God or a superior being when they entered the next world. In most of these reports God is not described as a person, but as a shapeless beam of powerful light directed at the person from a seemingly infinite distance. In the majority of NDE communications, this beam of light seems to represent God. But there are also NDE reports which specifically describe God as a thinking substance, blue in colour, which surrounds people who visit the next world. One of the best descriptions of God as a blue substance comes from the 1968 near-death experience of an Indian girl named Durdana. Her report, illustrated in colour, is published in the book by Peter Brookesmith (editor), "Life after Death", Orbis Publishing Ltd., London 1984, ISBN 0-85613-613-1, pages 202 to 205.

#4D10.1. The religious evidence. The multitude of religious evidence would be difficult to fit into the most voluminous book. For this reason the readers who wish to collect this class of evidence are advised to study all miracles, revelations and divine blessings, recorded by almost every religion. Notice that as well as spectacular religious events, there is also intimate religious evidence experienced by almost every person and accentuated in almost every family.

#5D10.1. Religion of extraterrestrials. The best expression of the religion of extraterrestrials was given in the TV programme "UFO Cover UP" transmitted via satellite from Washington D.C. on 15 October 1988 (a VHS copy of this programme is contained in the author's files). The USA government official using cryptonime "Falcon" describes this religion in the following words: "They have a religion, but it's a universal religion. They believe in the Universe as a supreme being". No other words can express more exactly the idea of the Universal Intellect from the Concept of Dipolar Gravity.

D10.2. Moral laws

It has been determined in subsection D7 that our brain operates as an input-output device. Whatever are our thoughts, intentions and actions, these are transmitted to the counter-world and stored in our software models for further use. The communication occurring between our brain and our software model existing in the counter-world is known as long-term memory system, whereas the communication between our brain and other (not ours) software models constituting the Universal Intellect is known by the name of ESP. But it would be very naive to expect that the Universal Intellect limits its reactions only to our memory requests and answers from our ESP inquiries. Rather it should be expected that this Intellect always takes some action independently of what we think and what we do. Of course in such a case there must be a set of consistent rules stating what kind of action should be taken to match the content of our thoughts and activities. So just as from the world of hardware all our physical actions receive clearly defined physical reactions, also from the counter-world all our intellectual efforts receive the appropriate intellectual responses. Thus we may conclude that every intellectual cause initiates an appropriate intellectual effect. Because the existence of the cause-effect connections is specific to the laws of nature, the set of rules that define these reactions of the counter-matter on our intellectual activities will be called "Moral Laws". This name stresses the fact that the kind of response we are receiving, must depend on the moral content of our thoughts.

The above deduction reveals that what we consider to be morals, are in fact the laws of the world of intellect. The operation of these laws can be explained on the basis of the model of our brain as an input-output device (compare subsection D7). The parts of the human brain interacting with the counter-world operate in such a way, that they always put themselves in a certain order or pattern unique to the type of thought vibrations that they are giving out. This pattern allows their owners to receive back only the same type of thought vibrations that were given out. Therefore, if someone causes his/her own brain to emit a good thought vibrations, he/she will open the right pattern to also attract a good return. But those who cause much trouble around them and conduct themselves in a nasty way, are open to receive back negative returns appropriate to their behaviour. So, the counter-world makes our morality react like a boomerang - whatever we send out, it will inevitably return back to us. This applies to everything, including the judgments of this theory. It is because whatever kind of consideration someone gives to the ideas of others, he/she should expect exactly the same response to his/her own concepts.

At this point the content of the first of of Moral Laws can be defined. Because of the manner in which this law works it will be called here the "Boomerang Principle". The content of the Boomerang Principle can be expressed in a short and a long version. A short version states that:

"whatever you do to others, it will also be done to you".

A long version states that:

"whatever (abstract) thought pattern our brain gives out to the intellectual environment, exactly the same pattern will be returned to us by this environment." The response of the environment to our intellectual activities is characterized by two factors: noise domination and time delay. Noise domination is caused by a quantitative outnumbering of environmental thoughts when compared to solo our intellectual output. The environment, populated by billions of people, provides us with far more returns than the number of thoughts that we are able to produce. So naturally, except for the returns caused by Boomerang Principle, we are bombarded by numerous other signals, randomly good or bad. In this aspect the moral laws are identical to the physical ones, where a particular cause brings back not only the corresponding effect but also a number of other "noise" effects originating from completely different causes. For example when we are walking along a gangway, it will bounce not only because of our weight, but also because of sea waves, wind, the boat's movements, earthquake, etc. In the case of physical laws we have already learned how to distinguish between the answer and the noise. But with regard to the moral laws such distinguishing rules are still waiting to be discovered and mastered.

The time delay in the fulfilment of moral laws appears because the input channel opened in our brain by a particular thought pattern must wait until an appropriate return signal appears in our vicinity, and only then it can intercept this signal. Some people, who as young children behave disrespectfully towards their parents, must wait until mature age for the appropriate return, when their own children pass through the same stage of development. Because not everyone has the ability to associate facts occurring with a significant time delay, the action of the Boomerang Principle is not realized by many people.

Time delay in the fulfilment of the Boomerang Principle forms also foundations of the eastern idea of "karma". This idea states that all those our intellectual activities which had no time to be returned in the present lifetime, will be returned to us in the next life. Notice that the only requirement for the Boomerang Principle to be extended into the Law of Karma is that the concept of reincarnation is introduced.

The Boomerang Principle is a moral equivalent to the physical Action-Reaction Law. There are some indications that other physical laws also have their own moral equivalents.

On our planet, where hermetic borders, languages, religions, and ideologies separate nations, the moral laws affect not only individual people but also entire countries. It seems that something like a national morality is produced within the countries and that according to its content the particular nation receives an appropriate response from the outside world. The formation of this national morality can be compared to the creation of gas movement within a pipe. Each particle of this gas seems to move in its own direction,

but all move together along the pipe. We are used to thinking that military strength is a basis for the security of a nation. But numerous examples from history clearly prove that it is the moral values that decide on glory or destruction. It would be interesting to know if the same moral laws also apply to entire planets, our own as well as others.

The deduction leading to the detection of Moral Laws is justified only after the Concept of Dipolar Gravity has been worked out. Therefore, our present knowledge of moral laws finds itself in the same situation as physics in about 240 B.C. when the famous "Eureka" of Archimedes proclaimed the discovery of the first principle laying the foundations for this science. Further research now needs to be done, and numerous factors need to be distinguished and quantified, to enable us to predict the moral responses for our actions with the same accuracy, with which, after 2000 years of development, physics is able to foresee the responses from the world of matter. So before we become impatient that the moral laws are still concealing their patterns, we perhaps need to remind ourselves that in the time of Archimedes the physical world also seemed similar, and people were sure that the behaviour of nature was ruled not by any laws but by the caprices of powerful gods.

The most relevant evidence confirming the operation of the Boomerang Principle is reviewed below.

#1D10.2. The folk wisdom of almost every nation recognizes the Boomerang Principle and expresses its content in numerous proverbs and sayings. Examples of such proverbs are: the German: "Was du nicht willst, dass man dir tut, das füg' auch keinem andern zu" (i.e. the Golden Rule: "Do unto others as you would have them do unto you"), the French saying: "Honi soit qui mal y pense" (i.e. "Evil be to him who evil thinks"), the Polish: "Jak Kuba Bogu tak B g Kubie" (i.e. "One gets paid in one's own coin") the English proverb: "Curses, like chickens, always come back home to roost", etc. Of course, to provide guidance for all typical life situations every nation uses more than one such proverb. Some idea about the multitude of ways in which various proverbs express the same content as the Boomerang Principle, can be gained from the following review of common sayings (these English sayings are followed in brackets by their Polish equivalents): "As you give so shall you receive" ("Nie czyn drugiemu, co tobie nie miło"), "As you make your bed, so you must lie upon it" ("Jak sobie poscielisz, tak sie wyspisz"), "Do right and fear no man" ("Nie czyn zła i nie obawiaj sie nikogo"), "Good seed makes a good crop" ("Jaka miarka mierzysz, taka ci odplaca"), "Hoist with your own petard" ("Kto pod kim dolki kopie, sam w nie wpada"), "If you play with fire you get burnt" ("Kto igra z ogniem, ten od ognia ginie"), "Love begets love" ("Dobro rodzi dobro"), etc.

#2D10.2. Numerous references to the action of the Boomerang Principle are contained in the Bible. Some of these references so infiltrated the every-day language, that they became popular proverbs. Examples of these are the following biblical verses: "He who lives by the sword dies by the sword" (see Matthew 26:52), "One reaps what one sows" (see Galatians 6:7), etc.

#3D10.2. The content of the Boomerang Principle forms the moral foundations of almost every religion. For example the "Law of Karma" from eastern religions is an equivalent to the Boomerang Principle, but with action extended far beyond one's current lifetime. Also the set of christian commandments, represents an interpretation of the Boomerang Principle when this is applied to most common life situations. The commandments, in fact, are versions of the Boomerang Principle, only formulated in a manner comprehensible to mere mortals.

#4D10.2. The aliens visiting our planet in UFO vehicles, know, respect, obey, and try to convey to us the content of the Boomerang Principle. They explain the operation of this Principle to numerous people abducted onto UFO decks. Below is quoted an extract from a report under hypnosis, given by a citizen of New Zealand abducted on a UFO deck in December 1980 for a medical examination (spoken and written copy of this report are in the author's files):

"WHATEVER YOU DO comes back to you because you, your brain works in a certain way and when it gives out its work, it ... puts your brain in a certain order or pattern which means that it's, it is open to receive the same type of thing that you actually made

your brain give out. So therefore if you make your brain give out good things you'll make your brain be in the right pattern to bring in good things".

Notice that the above quotation indirectly confirms the correctness of the model of the brain as an input-output device (compare also subsection D7).

D10.3. Consistency - the measure of intellectual perfection

The term consistency is defined as "conforming to a single set of universal principles". When analyzing this term it become obvious that it expresses the abstract essence of Moral Laws, reality, etc.

Consistency incorporates all the attributes of intellect. Someone who is consistent must also be: intelligent, worth trust, dependable, communicative, etc.

Consistency can be quantified. It is possible to work out a test which would reveal how consistent a particular person is. Such a test would be a measure of his/her intellectual perfection. The consistency test would be a much better measure of intellectual perfection from contemporary IQ coefficient.

The need for consistency is permanently build into our minds. We seek it everywhere and from everyone, although not always we are aware of this. All forms of our intellectual progress are expressed in the increase of our consistency.

D11. An experimental proof for the existence of the counter-world

The deductions and evidence presented in the previous subsections of this chapter seem to provide sufficient rationale for removing all possible doubts that the counter-world exists. But for scientific exactitude it is also necessary to design and complete an objective experiment which will prove this formally. From a number of properties of the counter-world which could be used for such an experiment only that will be considered, which can be detected by every person, including people having no previous interest in this kind of phenomena.

The most simple, objective, and fully repetitive experiment proving the existence of the counter-world can be based on the Postulate of Interchanging Thermal Energy, already mentioned in subsection D2. It is well known from physics that every work completed in the world of hardware must obey the Conservation of Energy Principle (i.e. the completion of physical work must always involve the consumption of energy). But the Concept of Dipolar Gravity states that affecting the matter through introducing some telekinetic changes into configurations from the counter-world (see the "telekinetic" manner of introducing changes into our world, described in subsection D2) does not consume any energy, in its physical understanding. This means that the energy requirement for such telekinetically caused works must be somehow satisfied through its exchange with the environment. Therefore every telekinetic work must cause the conversion of thermal energy occurring along the paths of the affected objects. Such a conversion in turn must result in two physical effects detectable for our contemporary instruments, i.e. (1) a temperature change, and (2) an "extraction glow" or a "dispersion glow".

The only form of energy which is available everywhere and which therefore will be the subject of telekinetic conversion, is thermal energy. Thermal energy can be extracted or yielded according to the type of telekinetic action that converse it. As a result, the temperature of the affected area will drop or rise. There are 2 types of telekinetic actions. These are called here: (1) telekinetic work, and (2) telekinetic release. Telekinetic work depends on shifting objects against any natural force such as gravity (i.e. an object is lifted), elasticity (i.e. an object is bent), buoyance (i.e. an object sinks), friction, etc.. Therefore telekinetic work consumes energy which must be extracted from the environment. This kind of action causes the temperature of the environment to drop. Telekinetic release depends on moving objects in line with a force (i.e. an object is put down, expands, etc.). Telekinetic

release produces a thermal energy which therefore will raise the temperature. There are also examples of telekinetic actions (usually a cyclic nature which comprises both: work and release) whose total effect will be neutral, so it will not affect the temperature at all. Examples of such neutral works are: the swinging of a suspended object, bending and then straightening a V-shaped divining rod, an idle running of a telekinetic motor (the consumption of heat resulting from the completion of a telekinetic work will be compensated here by the production of heat resulting from the friction), etc.

It should be stressed that if telekinetic phenomena operate according to the Concept of Dipolar Gravity then the conversion of energy described above must occur. On the other hand no different explanation for psychic abilities provides a theoretical base for the heat conversion. Therefore the experimental confirmation that such conversion in fact appears, will also represent the formal proof for the existence of the counter-world. To complete this experiment, a significant telekinetic work should be done within a small, thermally insulated space. Thus the temperature change could be measured and the obeying of the Conservation of Energy Principle could be checked. Let us hope that in spite of technical difficulties such an experiment soon will be completed somewhere.

Because the author knows about two cases of telekinesis that met the conditions from the above experiment, he has already completed some preliminary inquiries. They do not represent a formal proof, but are sufficient to confirm that the idea is correct. The first case involves 13 year old Miss Joanna Gajewska of Sosnowiec, Poland, who, while asleep, used to shift very heavy furniture (e.g. wardrobes). The second case concerns Mrs. Jan Searle, West Coast, South Island, N.Z., in whose presence furniture is also shifted. In both cases eye witnesses confirmed that within the affected room a significant temperature drop, reaching freezing level, was observed.

The conversion of thermal energy by telekinetic action will also cause another pair of effects called here an extraction glow and a dispersion glow. If we rapidly decrease the amount of energy contained within an atom, its electrons must fall from higher orbits to lower ones. This, according to quantum physics, must in turn cause the emission of photons. Such an emission should be observable as a kind of subtle, white glow, called here the extraction glow. Therefore every telekinetic absorption of thermal energy should be accompanied by an extraction glow that should be detectable on a sensitive photographic film. To detect this glow, it suffice to take a photo in the dark of a telekinetically moved object which completes some work (i.e. acts against a force). By using an infra-red camera the intensification of effects could be achieved, but also the interpretation of results become more difficult. If the time of exposure is long enough, the object is able to cross through, and to affect a larger area, making the glow more evident. Note, that extraction glow should be also manifested in cases where the total thermal effect is neutral. This gives a flexibility about the kind of moved objects selected for experiment. For example such frequently moved objects as V-shaped divining rods can also be used for the detection of the extraction glow. Practically this means that both: the equipment (i.e. a camera and film) and the object of experiment are not difficult to find.

The extraction glow is produced only during telekinetic work. A telekinetic release produces another kind of glow, which is called here a dispersion glow. The dispersion glow is colour, whereas the extraction glow is white. Unfortunately cases of telekinetic motion which produce dispersion glow are very difficult to obtain.

Notice that the more energy is converted during a particular telekinetic motion, the more powerful is the emission of the extraction or dispersion glow. Therefore, in order to obtain spectacular photographs of the extraction glow, a powerful telekinetic phenomena should be photographed (e.g. lifting very heavy objects).

The author has also completed some preliminary investigations concerning the registrations of the extraction glow. He has already taken some photographs of this glow. Although the author's photographs are not spectacular enough to convince sceptics, they sufficed to reassure that the discussed proof is easily achievable. Moreover, reviewing numerous books on paranormal phenomena (e.g. dowsing, psychokinesis) he has found

photographs taken by other people, which perfectly illustrate the extraction glow. Some more spectacular of these pictures are shown in Figures D5 to D7.

If readers are interested to find examples of telekinetic work which produces the registrable extraction glow, listed below are the most frequent sources of this work.

#1. V-shaped divining rods (see Figure D5). The operation of V-shaped divining rods may be based on two different principles, i.e. involuntary motion and telekinetic motion. The first principle is similar to that utilized in a pendulum-assisted ESP. It depends on throwing the elastic rod out of balance, as the result of an involuntary movement of the dowser's hands. (This principle is not based on the telekinesis, and therefore it can not be used for the detection of the extraction glow.) The second principle utilizes the psychokinetic power of the dowser's mind which forces the rod to bend downwards (females dowsers bend it upwards) after water is detected. People whose divining is based on this second principle possess a well developed telekinetic ability. Usually they are also able to move other objects such as the needle of a compass, the pointer of an amperometer, etc. With a little appropriate training they should be able to shift some material objects along plain surfaces.

#2. Various media involved in experiments with spiritualism, ghosts, psychokinesis, levitation, etc. - see Figures D6 and D7.

#3. Telekinetic (psychokinetic) healers. This source of telekinetic work is described in subsection D9 (see also evidence #5D2 and Figure D8).

#4. Poltergeists and other supernatural apparitions - see subsections D2 and D9 (also evidence #4D2).

#5. Magicians. Some magicians utilize telekinetic (psychokinetic) motion for non-destructive penetration between various physical objects (e.g. drawing nails through hands, pushing knives through corpses, etc.) - see evidence #3D6.

#6. Telekinetic motors, called also magnetic generators of free mechanical energy (free energy devices) - see subsection D6. They provide a telekinetic motion without any external energy supply. If such a device is available, it can be used for registering the extraction glow.

#7. UFO vehicles operating in teleportative convention, as well as Teleportative Personal Propulsion of UFOonauts - see subsections B6.3 and K2 (also evidence #4D2).

In December 1985 the author took the opportunity during his vacation trip around the South Island of New Zealand to determine a statistical distribution of people who have mastered some kind of psychokinesis. The instances were unexpectedly high. Statistically one such person was found per about 100,000 citizens living in the areas searched. And the search was rather brief, hasty and completed only as a hobby. Most of the cases were dowsers utilizing a V-shaped divining rod, bent in the telekinetic manner. The psychic forces created by some of them amounted even to an equivalent of about 1 kilogram of mass suspended on the end of their rods. For example Mr. Desmond W. Scarlett, Forrest Downs, Cattle Valley, Fairlie, N.Z.; uses as a divining rod a strong clock spring, which, in the position indicating a "find", is apparently bent down with a force of approximately this range. Different examples of telekinesis were also revealed. For example Mr. Richard Simpson of Torquay Tec., Hamner Springs, N.Z.; by exercising the strength of his mind causes suspended objects to swing. To summarize the author's findings in the form of a message for the reader: "Unless you live on a sparsely populated area, there is minimum one person with telekinetic abilities living not further then 50 kilometres from your home. Thus, to register the extraction glow, you only need to find this person and to photograph the effects of his/her telekinetic actions".

* * *

We seem to be built in that way that we don't accept a theoretical Concept until we prove its correctness to ourselves. Proofs supplied by other people usually do not convince us. It was determined at the beginning of this subsection that the photographic registration of the extraction glow represents a conclusive proof that the counter-world do exist. Therefore, this final part of the Concept of Dipolar Gravity was to show that everyone can obtain such a proof. Since the objectives, subjects, and the ways of achieving this proof are clearly defined, it lies in the hands of readers to accomplish this breakthrough into another

world. As the problem is almost untouched, everyone has an opportunity to also contribute into perhaps an important discovery. So why not try it?

D12. To conclude

As is shown in previous subsections, the recognition of the Concept of Dipolar Gravity will have enormous impact on almost every aspect of our lives. Most disciplines will be affected, including those presently considered to be unrelated to gravity, e.g. religion, medicine (e.g. justification for acupuncture, psychic healing, etc.), parapsychology, philosophy, etc.

The Concept of Dipolar Gravity, in spite of its clarity, rationality, and all evidence in support, seems to be accepted with great difficulty by contemporary scientists. This is quite understandable, as the Concept destroys present views of reality which science has formulated so laboriously. Thus, it is predictable that not all the evidence and explanations presented in this chapter will gain instant recognition, and some of them will be subjected to well organized criticism (present science is so advanced that an appropriately motivated scientist can ridicule even the best idea or the strongest documented evidence). But for those who are prepared to accept new ideas, the Concept of Dipolar Gravity provides a conceptual foundation, supported by a solid body of evidence, to initiate his/her independent investigations. Thus, the key that opens our access to a completely new world finally seems to have been found. Now it is everyone's responsibility, how this key will be put to use.

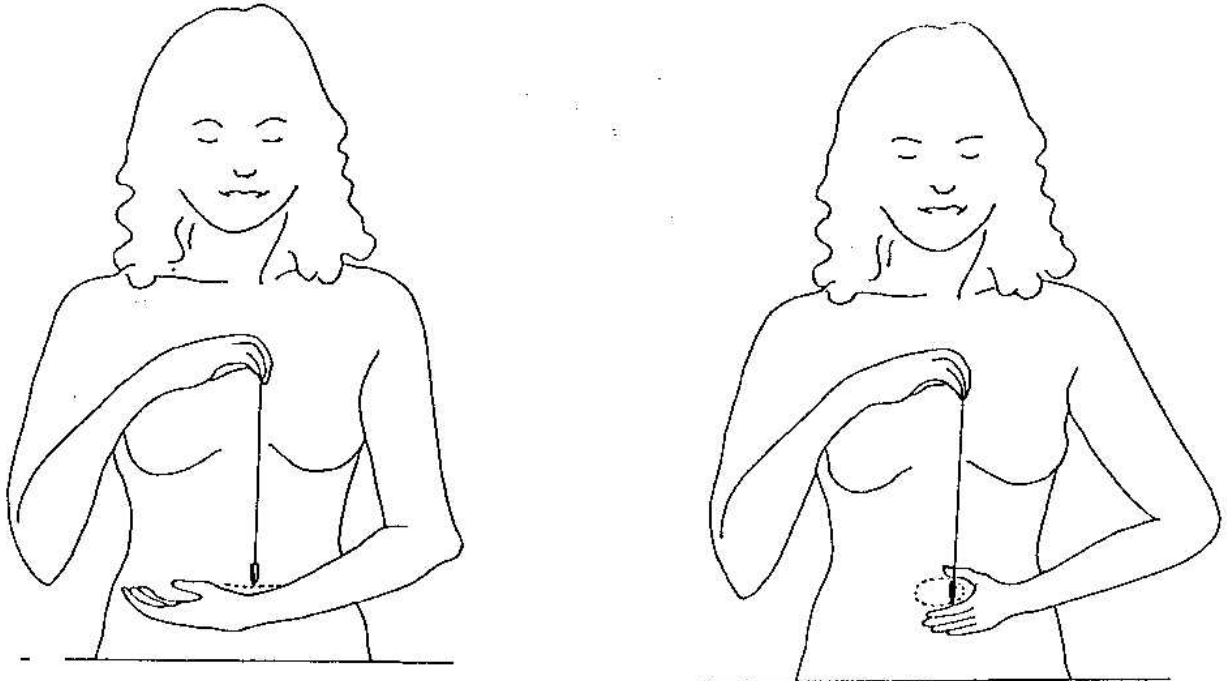
D13. Reference publications

[1D] David St. Clair, "Psychic Healers" (Bantam Books, NY, 1979, ISBN 0-553-02056-0).

[2D] Alec MacLellan, "The Lost World of Agharti, The Mystery of Vril Power" (Souvenir Press, London 1982, ISBN 0-62521-7).



Fig. D1. Mr Alan Plank with the pump he invented and designed by the means of a pendulum-assisted ESP technique. He read all the technical details of this pump directly from the counter-matter by finding and accessing the register that this device possesses in the counter-world. There is a high chance that scientifically reliable techniques of instrumental ESP will soon be developed, which will open the commercial applications for the ESP procedure discovered by Mr Plank. In such reliable ESP techniques, electronic devices similar to "lie detectors" will probably replace divining pendulums. After this new manner of gathering technical information is mastered, our present way of introducing new steps of technical progress will be completely revolutionized. The time-consuming laboratory experiments and expensive research of prototypes will then be replaced by reading out from the counter-matter all the necessary technical details about the best completed version of a device. Thus, introducing new inventions will be less expensive, faster, and more dependable than at present.



Figs. D2 and D3. A technique for developing YES and NO answer signals in pendulum-assisted ESP.

(D2 - left) A technique for developing the NO answer signal in the pendulum-assisted ESP. A NO answer is interpreted here as the pendulum swinging in a straight line. To induce this signal a bio-field accompanying the flow of blood through our veins is utilized. If we suspend the pendulum above the veins in the wrist of our left hand it soon starts swinging along the direction of the blood flow. If we change the angle of the left hand, the plane of the pendulum's swinging will adjust to this new direction of our veins. Notice that there is a certain length of thread, which induces the soonest and the most vigorous swinging of the pendulum. It seems that, for this length the frequency of the pendulum's oscillation is in resonance with the frequency of our vibration (different for every person). We should try to find this length and then hold the pendulum according to it.

(D3 - right) A technique for developing the YES answer signal in pendulum-assisted ESP. A YES answer is interpreted here as the movement of the pendulum in a clockwise direction. To induce this signal a change in bio-potentials appearing between the thumb and the forefinger of our left hand is utilized. If we form a U-shape with these fingers and then suspend the pendulum in the middle, it should begin to circulate in a clockwise direction. Notice that for some people the same configuration of hands may produce a counter-clockwise circulation of the pendulum. These people should also accept the obtained signal as a YES answer.

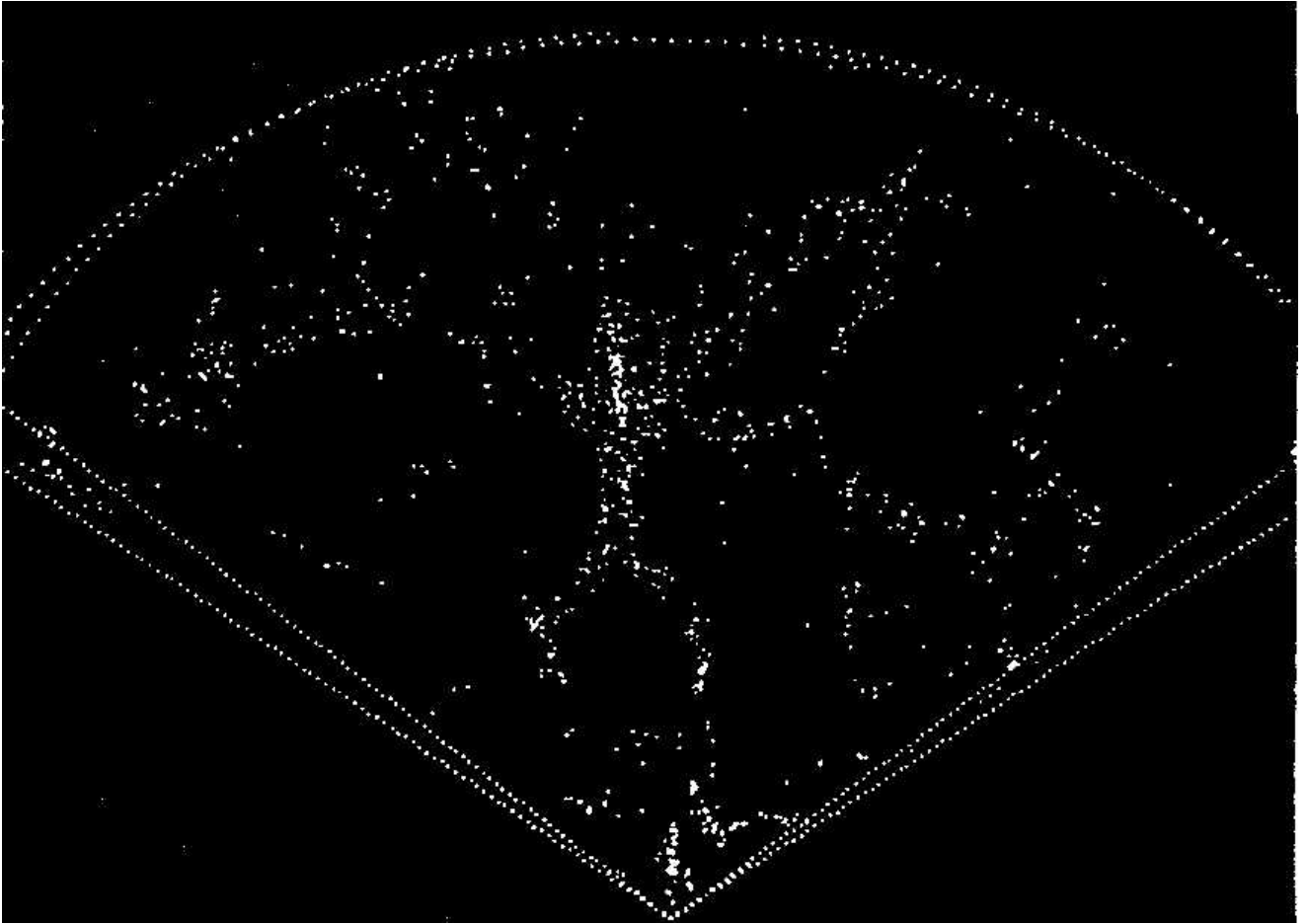


Fig. D4. A three-dimensional map showing a wedge of the Universe. This map was prepared at the Center for Astrophysics, Harvard College Observatory and Smithsonian Astrophysical Observatory, by Margaret J. Geller, John P. Huchra and Valérie de Lapparent. It was published in Scientific American, March 1986 (Vol. 254, Number 3), page 49. The map reveals a cluster of galaxies which takes the apparent shape of a human figure. This human shape may gain special significance with the Concept of Dipolar Gravity stating that our Universe is composed of two parallel worlds (the world of hardware and the counter-world), which exactly copy each other like an object and its mirror reflection. The non-material one of these two worlds (i.e. the world of software) is made of a substance (counter-matter) that is able to think in its natural constitution. This thinking substance forms the Universal Intellect whose shape must reflect the shape of our Universe, and whose capabilities correspond to those of God. This in turn invokes a question as to whether the above human shape is a pure coincidence or astronomic confirmation to the biblical statement that "God created man in his own image".



Fig. D5. The "extraction glow" emitted from the space passed through by a V-shaped divining rod moved in a telekinetic manner. The photographic detection of this glow provides experimental proof of the existence of the world of software. According to the Concept of Dipolar Gravity, telekinesis is the effect of moving material objects by altering the positions of their mirror reflections (counter-material models) contained in the counter-world. The introduction of such an alteration carried out within the counter-world does not require a supply of energy. But moving the objects in our world involves the consumption of energy described by the Conservation of Energy principle. The Postulate of Interchanging Thermal Energy states that this consumption must be compensated for through an extraction (conversion) of thermal energy contained in the environment of the objects moved. Therefore the result of telekinetic motion must be the fall of electrons in the atoms from the affected area down into their lower orbits. Quantum physics states that such a fall must be accompanied by the emission of photons detectable on a sensitive photographic film as a kind of "extraction glow". The extraction glow should appear not only in all forms of psychokinesis caused by the human brain but also in the "mechanical" equivalent of this phenomena occurring within the "free-energy generators" recently made operational in USA (i.e. magnetic motors producing motion without an external energy supply). The most frequent subjects (and therefore also the most easily available for research) utilizing psychokinesis are dowsers whose success in the search for water is indicated through the psychokinetic bending of their divining rods. The above photograph illustrates the extraction glow which appears during such bending. It was originally published in two books by Christopher Bird entitled: "The divining hand" (1st edition, E.P. Dutton, New York 1979, ISBN 0-525-09373-7, page 7) and "Divining" (A Raven Book, London 1979, ISBN 354-043889, page 7).

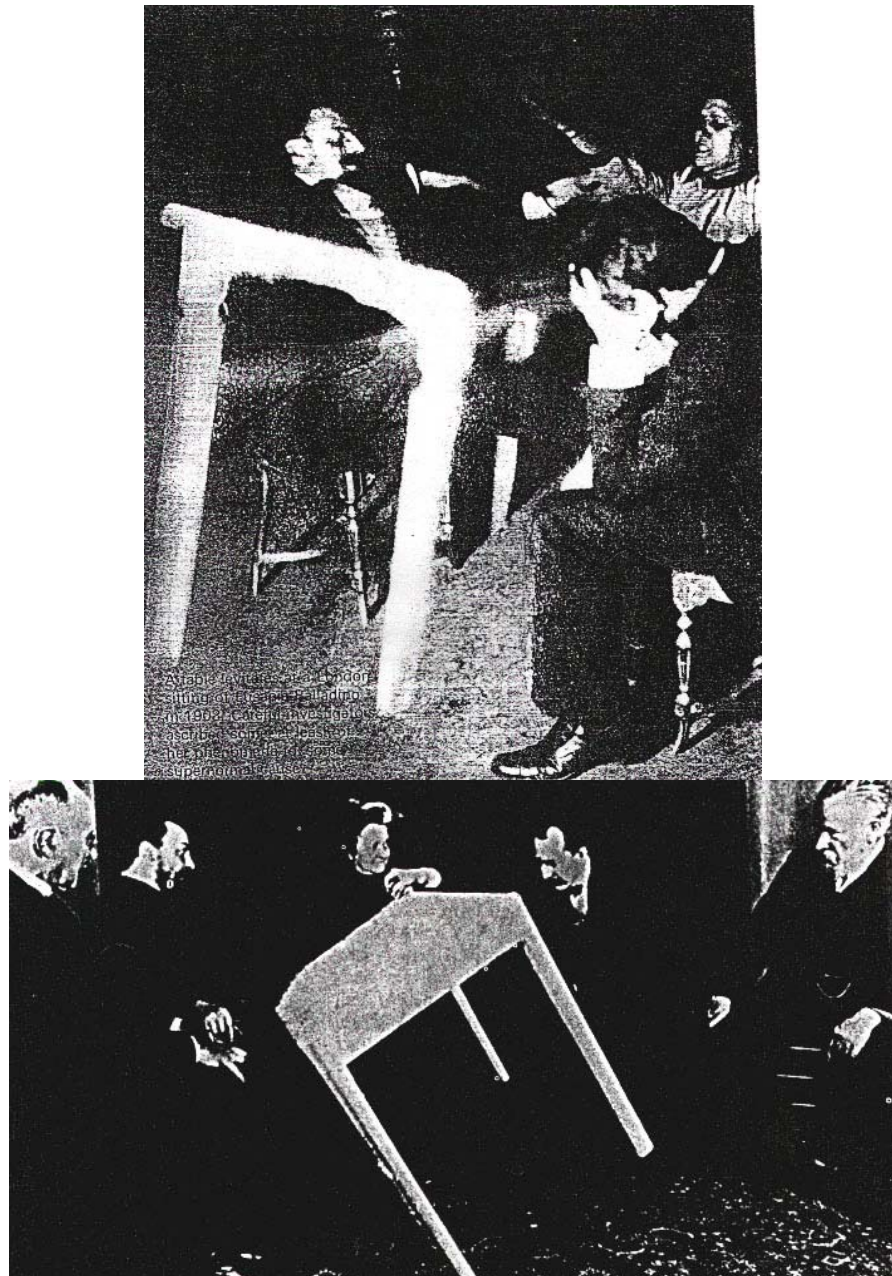


Fig. D6. Photographs of two heavy tables levitated in various séances by a psychokinetic medium named Eusapia Palladino. Along the surface of both tables a strong emission of the "extraction glow" is clearly registered. The telekinetic power of this medium was so extremely high that almost all photographs taken at her séances demonstrate the evident emission of the extraction glow. Therefore the photographs provide a consistent confirmation that the "Postulate of Interchanging Thermal Energy" is in operation. Sceptic scientists investigating Palladino's abilities suspected her of producing some fraudulent effects, for this reason at many séances she was restrained. However, even when she was held tightly, the tables still rose.

(Upper) A photograph published in the Journal "The Unexplained", Vol 4 Issue 41, page 801; and republished in the book edited by Peter Brookesmith, "The Enigma of Time", Orbis Publishing Limited, London 1984, Page 21. It presents a table levitated in London in 1903.

(Lower) A photograph published in the book by Roy Stemman, "Spirits and Spirit Worlds", The Danbury Press, London 1975, ISBN 0-7172-8105-1, page 52.



Fig. D7. The photograph of a table - see photo (b) that was levitated by members of the Society for Research into Rapport and Telekinesis (SORRAT). The entire surface of this table is covered with a thin layer of glowing air, representing the so-called "extraction glow". If it is considered that divining rods are the most popularly available source of the extraction glow, the levitation of heavy furniture would be the second. A number of photographs showing such subtly glowing levitated objects are already published in various books from "The Unexplained" series. The above photographs originate from the Journal "The Unexplained": (a) Vol 6 Issue 61, page 1211, (b) Vol 5, Issue 59, page 1171. They are also re-published in the book edited by Peter Brookesmith, "Against all reason", Orbis Publishing, London 1984, (a) - page 14 and 15, (b) - page 45. Notice that the photograph (a) presents the same table only this time the extraction glow was not registered allowing the natural texture of the surface of the table to be seen.

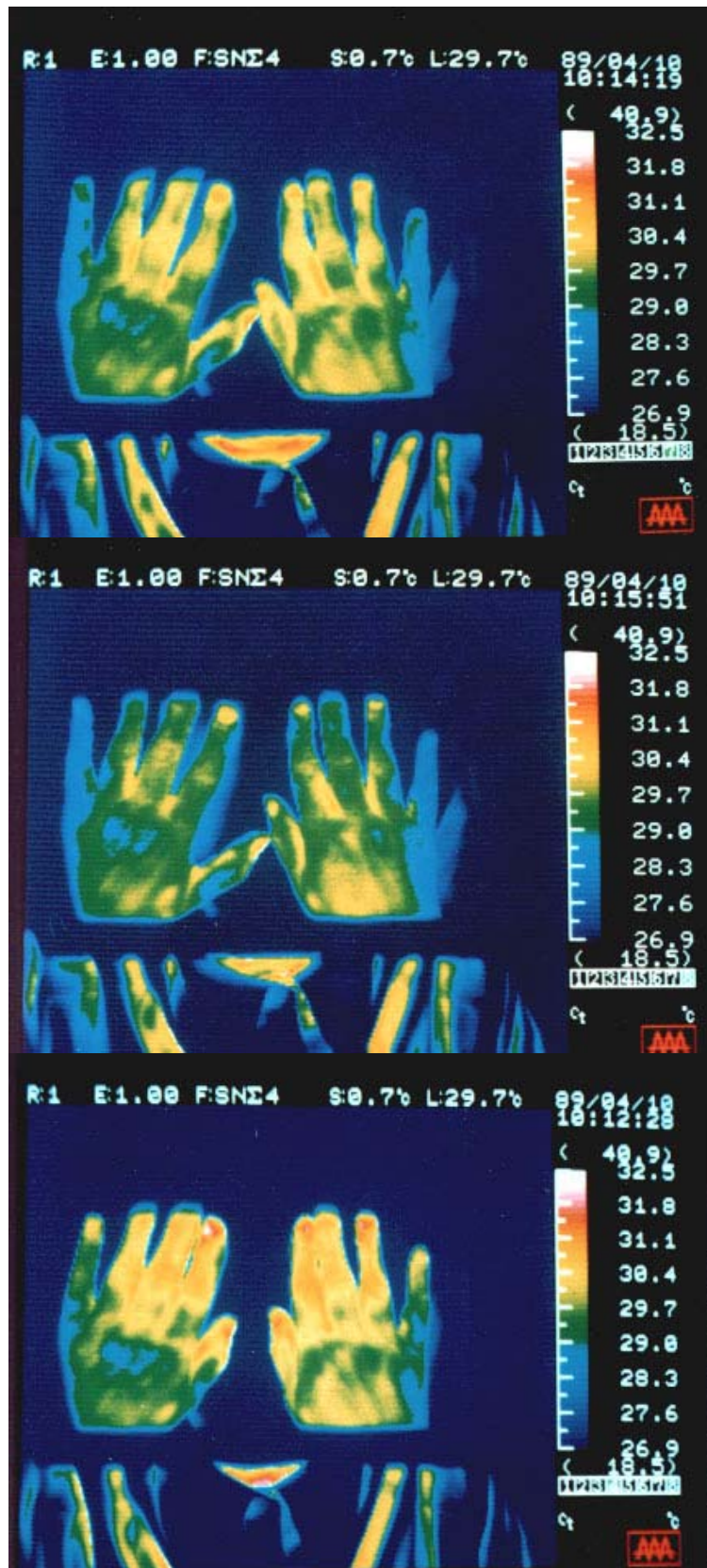


Fig. D8. The temperature change (drop) in the hands of a healer, Mrs. Leuenberger, caused by her non-cyclical telekinetic work. The first experiment that registered this change was completed by Werner Kropp of WEKROMA Laboratory (Via Storta 78, CH-6645 Brione s/M, Switzerland). His method of recording depended on the use of a sensitive thermovision camera during her healing session. Three colour photographs of her hands, marked as (a), (b) and (c), were taken during the span of about 3 minutes, i.e. at 10:12, 10:14, and 10:15. During this time, the camera registered the temperature drop of the healer's hands as about 3 degrees Celsius.

Chapter E:**PHILOSOPHICAL REQUIREMENTS FOR GIVING RECOGNITION TO NEW IDEAS**

The chapter that follows concludes the first part of this monograph which is devoted to the philosophical foundations of the Magnocraft. The main objective of this chapter is to define the philosophical climate and intellectual requirements necessary for people to give recognition to new ideas and inventions (see subsection B1). In turn, this climate should stimulate the more rapid acceptance and completion of the Magnocraft. Through the explanation of the philosophical principles behind the attitudes of people, this chapter also tries to provide a key to understanding why so many excellent inventions and ideas are continually wasted, and why history quotes so many famous people being wrong in their priori judgment of inventions that later were implemented. A simple rule provided near the end guides our personal philosophies towards the selection of principles that are worth adopting and implementing in everyday life. (The subsections that follow do not contain any technical descriptions of the Magnocraft or other corresponding devices.)

Perhaps, before any specific deductions are made, it should be stressed how our everyday philosophy impacts the perception of all aspects of our lives. To illustrate this impact let us consider the case of two hungry people with identical baskets of fruit. The first person always picked the best fruit left in the basket. So he/she enjoyed eating the basket full of the best fruit. But the second person always chose the worst fruit left in the basket, so he/she suffered because he/she ate a basket full of the worst fruit. Although the fruit in both baskets was exactly the same, the philosophy behind their consumption made an enormous difference. The person who enjoyed his/her fruit utilized the positive, or as we would say, "totalistic" approach, whereas the suffering person chose a negative, although in the opinion of the majority of people, a fully "logical" approach.

People's philosophies are revealed clearly during their involvement in intense discussions. The development of the Theory of the Magnocraft put the author in the fortunate position of organizing and conducting many public and numerous person-to-person discussions. The participants in most of them were highly educated people, i.e. scientists, industrial experts, interest groups, etc. During these discussions a number of findings concerning the everyday philosophy of well-educated people was collected. (The name "everyday philosophy" or "ruling philosophy" is used here to describe the philosophy which day-by-day defines the conduct of people in real life, not for any of the philosophies formulated on paper that are supposed to describe their conduct.) The author extracted some of the essential (in his opinion) doctrines of this philosophy and listed them below. It is important to bear in mind that these doctrines are not meant to be a representation of anyone's personal philosophy. Rather, they constitute a "model" - i.e. a composition of the common elements found in the philosophies of many individuals. The doctrines are as follows:

1. Only those things are possible which we already know how to achieve.
2. The universe is not permitted to display facts extending beyond our horizons.
3. Everyone else is wrong until he/she proves that he/she is right. (Another version is: "I will believe you when I see it".)
4. Our present knowledge is complete and perfect - any outstanding research is without legitimacy.
5. The main purpose of studying is to collect diplomas that will allow us to find a cozy job free of any responsibility (or: "gaining education releases us from responsibility").

If we analyze the above doctrines, we come to the conclusion that each of them represents an implementation of the well known natural tendency for "taking the line of least resistance". Therefore the everyday philosophy of people who utilize this tendency can be called the "philosophy of taking the line of least resistance" or the "easy way out philosophy". The tendency to select the line of least resistance is a characteristic of

untamed nature. The intellect acts according to the different rule of "selecting what is rational to select". The principles of the philosophy outlined in this chapter and called "totalizm" represent an implementation of this rationalized rule.

The principles of totalizm are formulated by reversing the doctrines of the "easy way out" philosophy. Below are listed the more important of these (compare the list that follows with the previous one). Although these form the basis of totalizm, they do not exhaust all the potentials of this philosophy. Therefore this list is rather intended as an illustration than as a complete description of totalizm.

#1. Everything is possible - we only need to find out how to achieve it.

#2. All facts are equal - each of them deserves the same consideration.

#3. All statements of others are true unless they are proven to be untrue.

#4. Everything can be improved further - and the obligation of every person is to leave things better than he/she found them.

#5. Knowledge is responsibility.

All people who can identify their personal philosophy with the above list of principles should never have any difficulties with accepting new ideas.

The "easy way out" philosophy is oriented towards stagnation. It impedes the promotion of anything that is new, and maintains a lazy, grasping and selfish style of living. It seems that our civilization has now reached the point where any further progress is extremely difficult, if not completely impossible, without replacing the "taking the line of least resistance" philosophy with one more oriented towards progress. In the subsections that follow, an outline of such a replacement is presented. The principles of "totalizm" are progress-oriented and counter-balancing to the doctrines of the "taking the line of least resistance" philosophy.

Let us now review each doctrine of the "easy way out" philosophy and try to find out why it is destructive and how it should be reversed in order to neutralize its negative impact.

E1. Everything is possible: we only need to find out how to achieve it

Although no one is willing to admit this, the majority of educated people act and behave in accordance with the doctrine that "only those things are possible which we already know how to achieve". The above statement was, in the past, and still is at present, the unofficial foundation for the ruling philosophy of science. Scholars of all eras have followed this doctrine, attacking every new invention and every new discovery. This doctrine is responsible for an unknown number of inventions being abandoned half way in their development and for the successful prevention of a more rapid advancement of our civilization.

There are a number of publications available which quote well-known and respectable people whose claim "it's impossible" was later proved to be completely wrong. The content of these claims now sounds ridiculous, but at the time when they were stated they caused a lot of harm and confusion. We must remember that they originated from people having high authority and important positions, whereas their destructive power was usually directed against young and unknown inventors. Let us remind ourselves of some of these statements.

"Nothing made of iron could possibly float" - scoffers in 1787 on the first ship of iron built by John Wilkinson (quoted from the book by J. Penry-Jones, "The Burke Book of Ships and Shipping", Burke Publishing Company Ltd., August 1965, page 10).

"Gentlemen, I would rather believe that those two Yankee professors would lie than believe that stones would fall from heaven" - President Thomas Jefferson on the sighting of a great meteorite in 1807 in Weston, Connecticut (quoted from the book by H.H. Nininger, "Find a falling star", Paul S. Eriksson, New York 1972, ISBN 0-8397-2229-X, page 4).

"A grip of a smooth iron wheel on a smooth iron rail would not suffice to haul a train. A locomotive must horse itself along on mechanical legs or winch along a rack rail with a pinion wheel" - John Blenkinsop and others on William Hedley's theoretical solution of the

adhesion problem proved correct experimentally in 1813 by the locomotive "Puffing Billy" - see Figure E1 (the author's summary of the historic analysis presented in the book by E.L. Cornwell, "History of Railways", Hamlyn-Nel, London 1976, ISBN 0-600-37587-0, page 14).

"Heavier-than-air machines, flying machines, are impossible!" - Lord Kelvin 1895 (one statement from a large list of quotations proved wrong that has been compiled by Robyn Williams in "Australian Science Magazine", Vol. 1, No 1, 1985).

"Very interesting, Whittle my boy, but it will never work" - a Cambridge professor of aeronautical engineering to jet engine developer, Sir Frank Whittle, about 1930 (one of numerous examples of how wrong educated people can be, collected in the paperback by Graham Nown, "The World's Worst Predictions", Arrow 1985). The above quotation explains why the first jet engine was not built in England, but in Germany (1939 - Heinkel "He 178"), and why Sir Whittle was allowed to develop his invention only after German jet aeroplanes proved to be superior to English propeller fighters.

"There is not the slightest indication that nuclear energy will ever be obtainable. It would mean that the atom would have to be shattered at will" - Albert Einstein, 1932 (one quotation from a number of mistaken predictions of some authoritative sources, compiled in the paperback by Christopher Cerf and Victor Navasky, "The Experts Speak", Pantheon 1984).

These claims, along with many others, have proved that almost every idea which at a particular time has been discredited and scoffed at, is completed a few years or decades later. This means that the statement "impossible" is relative, and only applies to a particular level of our development. Therefore the existence of faulty claims in the past is not only an indication of the mistakes of judgment by individuals, but also proof of an error existing in the ruling doctrine of the philosophy of science. The universe seems to be built in such a manner that "everything is possible, only we need to find out the way to achieve it". In all actions and discussions of scholars the above principle should replace the doctrine reported earlier. This new principle should become an essential foundation for the future philosophy of reformed science.

Scholars, acting in accordance with this reformed principle, would not discuss goals, but concentrate their efforts on verifying the ways of achieving them. By this means, the respect and authority of many people would be secure when the inventions or ideas they tried to disqualify became reality. To prevent us from repeating the same errors with regard to the Oscillatory Chamber and the Magnocraft, perhaps we should implement this reformed principle immediately, beginning with the content of this monograph.

E2. All facts are equal - each of them deserves the same consideration

From the blackness of ancient times we have inherited the habit of segregating everything into categories of "better" or "worse". Some religions have claimed to be better than others, some races have tried to dominate others, social classes were introduced. Even our body was recognized as having good and bad parts - in spite of a hypocritical use of all of them. This habit is probably the reason why many scholars also segregate facts into "permissible" and "heretical" categories.

While the development of our civilization and culture has gradually removed most of the above prejudices, scholars still remain the last bastion of conservatism. The reaction of some contemporary scientists to the appearance of any "heretical" fact such as a UFO sighting, psychic phenomena, ghost story, etc., is exactly the same as the reaction of the nineteenth century public to the sight of a naked person - when embarrassment, shock, and sometimes even disgust was manifested.

In no other area of human activity are facts segregated or ignored to such an extent. For example, the spoken statement of a witness is sufficient for our courts to convict someone with a death sentence, but a report by the same witness about a UFO sighting would be dismissed and laughed at by scientists. In science medieval concepts still seem to

be operative, and many scholars are judging people not by the level of their expertise, but by the type of facts that they are associated with or investigate.

It is about time this irresponsible attitude is changed. Our civilization will not be able to progress much further if we continue segregating facts into "permissible" and "heretical" ones. Such segregation is damaging as well as irrational. We can not tell the forces of the universe what kind of manifestations they are allowed to display. No person has the right or sufficient knowledge to dictate this, especially if the only purpose is to avoid the methodical investigation of existing, repetitive, well documented, and explainable facts on UFOs, extraterrestrials, psychic abilities, and other phenomena which do not fit into our contemporary philosophy of science. Facts are equal and all of them deserve to be treated with the same consideration and investigated thoroughly. The only permissible criterion for establishing priorities in research should be the benefit that they may provide for mankind.

In the third part of this monograph some facts are investigated which fall into the category of "scientific heresy". For the author, they are facts which are just as valid as all other scientific evidence. Because they are well documented and reliable, there is no reason why the benefits they promise should not be directed for the good of people. Perhaps, when reading this monograph, we all should look at them in that way.

E3. All statements are true unless they are proven to be untrue

Not many people would like to be judged by a court operating on the principle "guilty until proven innocent". Most of us would consider such a court to be barbaric and more appropriate to medieval times or savage tribes than to modern civilizations. A today citizen expects to have the right of "being innocent until proven guilty". Having such a clear idea of our rights, we seem to forget about the rights of others. How frequently we respond to the claims of others "I will believe it when I see it". Such a reply is only a different wording of the doctrine "all statements of others are untrue unless proved to be true". This in turn is the intellectual application of the old court rule: "guilty unless proven innocent".

The present situation with UFO sightings indicates how a vicious circle is formed by the application of this principle in life. If someone is describing his/her UFO experiences, most people tell him/her "we will believe it when we see it". But when their turn comes and they in fact do see it, the same rule makes them victims because no-one else believes their story. This situation will never stop unless we all change our philosophy and ignore the requirement of others to prove the claims. Of course, changing a philosophy is difficult because it requires orienting ourselves into an unconditional accepting, understanding, and positive attitude towards our surroundings. But after such re-orienting, even if we haven't experienced something personally, our intellect is still able to accept its possibility.

If only a few individuals acted according to the doctrine "all statements of others are untrue unless proven to be true" the fault could lie in their lack of education, difficult character, unpleasant experiences in the past, and many other reasons allowing us to overlook this. But when the entire establishment applies it there is no excuse. It is unfortunate, to say the least, that the above doctrine lies at the foundation of the ruling philosophy of science. No evidence, no fact, no statement, no theory is accepted or even considered by contemporary science until the appropriate proof is presented.

This doctrine causes enormous harm to our development and to the progress of science. Let us review the main areas that suffer because of it.

(a) Randomly appearing evidence is ignored or rejected. The requirement for proof of everything excludes from scientific recognition all evidence that appears randomly with significant time differences, in unexpected places, or which leaves no apparent marks afterwards. Example of such evidence can be modern UFO manifestations and earlier "stones from heaven" (i.e. meteorites). Therefore whatever prospects for the advancement of our civilization the investigation of this evidence may open, they remain inaccessible to us, if the "easy way out" scholars retain their views.

(b) Intellectual laziness is promoted. At present, the principle under discussion allows for each scholar or each scientific institution to reject every new theory, every new invention, and all new evidence, without even examining its content (just as a medieval court could sentence anyone who did not have enough power to defend him/herself). Because, to reject this evidence, it is not necessary to prove that it is invalid or wrong, scholars feel free to do so. In this way a wealth of evidence and excellent ideas are discredited only because saying NO doesn't require any effort and is more convenient for the present philosophy of "taking the line of least resistance".

(c) A camouflage of incompetence is supported. The system of philosophical principles should be set up in such a way that the scientific establishment would not have any other option than to accept a new idea and become involved in its realization, or to prove that this idea is wrong. In both cases the real expertise of particular scientists would be publicly disclosed. But the present philosophical system gives preference to the third solution, which is not to take up any discussion on new ideas at all.

(d) The areas of competence are reversed and people are forced to work outside their natural inclinations. It is widely recognized that a creative mind is a resource which appears rarely and can be easily suppressed. In fact the educational system seems to be the primary destroyer of creativity (refer to the problems Albert Einstein had at his school). This is probably the reason why the majority of creative people are outside the scientific establishment. But how do we manage the utilization of this precious resource? If a person who inherits the gift of creativity produces a new invention and presents it to scientists to gain support, he/she confronts a lack of co-operation accompanied by a repetition of the philosophical doctrine that the invention must first be proved to be correct, and only then will scientists be prepared to discuss it. So the poor inventor, instead of exploiting his/her abilities and proceeding with improvements to the invention, must spend the rest of his/her life trying to prove the correctness of the idea. On the other hand, the scientific establishment has the conditions necessary for completing all sorts of possible proofs. It has highly qualified staff familiar with modern methodologies, it has laboratories, libraries and equipment, it also has the time and money provided by the nation solely for this purpose. For professional scientists there is not the slightest problem with the prompt validation of any new idea or invention - of course, if only they are interested in doing this. Unfortunately the majority of them do not have the inclination to work with someone else's ideas, and also their professional philosophy prevents them from attempting to. So instead of utilizing what they are competent in, they tend to try to become inventors themselves.

(e) The effort of developing new ideas is a burden born solely by individual creators. The scientific establishment is not obliged to develop ideas which it recognizes as untrue. But in the light of its ruling philosophy, every new idea is untrue until it is proven true. Of course those ideas which have already been proved true are also already developed. So the scientific establishment has practically no responsibility for developing any new ideas - it only subjects these ideas to further improvement when they are already developed. This creates the ridiculous situation that science, which is supposed to further our progress, must in fact be dragged along by this progress, whereas the most onerous and responsible job of developing new ideas is carried out by amateur inventors.

The doctrine, "untrue until proven true", was acceptable only in the first stage of the development of modern science. There were at that time no methodologies developed for proving the invalidity of particular ideas; knowledge accumulated and the instruments available were insufficient for this purpose. But in modern times, when science has at its disposal all these profound methodologies, sophisticated equipment, a wealth of accumulated knowledge, and well educated and highly paid staff, such a doctrine is an anachronism. Unfortunately for new ideas, occupants of "ivory towers" have a very comfortable life from this doctrine, so they will not change it voluntarily. But for our civilization as a whole it is a source of enormous losses. Therefore it is in our common interest to replace it with the opposite principle, i.e. "true until proven untrue". The time has now come when societies have the right to demand from their scholars justification for every opinion against an argument. We should begin to execute this right immediately.

From now on, whenever someone states something is "untrue", we should demand that he/she provide the proof for this claim.

E4. Everything can be improved further

There is a well-known phenomenon called "intellectual inertia". It expresses itself in the form of strong resistance by many people to any change or new idea. The doctrine which defines the impact of this inertia on the intellectual sphere can be expressed thus: "present knowledge is complete and perfect - any outstanding research lacks legitimacy". When we look at this doctrine it appears to be quite illogical. But when we analyze the actions of some people we realize that, in spite of loud declarations stating otherwise, they in fact behave and act precisely in accordance with this doctrine.

There is a converse principle which most people know and repeat frequently. It states that "everything can be improved further". The problem with this principle is that almost everyone is aware of it but only a few in fact use of it. Therefore in order to work, this principle needs to be extended to make people become active. It should be expressed as "everything can be improved further - and the obligation of every person is to leave things better than he/she found them".

This principle assumes that there must be some drawbacks or undetected errors left in every product of our intellect. Therefore we should be prepared to correct these drawbacks or errors whenever they are revealed (i.e. not get angry when someone points them out to us). Also, if we assume a priori that there is an undetected error in each of our claims, then we can formulate these claims in such a way that they won't cause damage if an error reveals itself.

The personal philosophy presented in this chapter (totalizm) stresses the necessity for permanent improvement, but simultaneously it restricts the kind of methods that can be used for this purpose. It states that only those methods are suitable which are the implementation of a recognized development principle applied by the universe itself and which also do not run against moral laws (see subsection D10.2). To the best of the author's knowledge, only three of the principles applied by the universe to further its development are recognized at present. These are: (1) the struggle between two equal but opposite powers (e.g. Yin and Yang; positive and negative), (2) the need for symmetry, and (3) reaction to a variety of stimuli. Thus, according to totalizm, only these three principles are acceptable means of improvement.

The above restriction for selecting the improvement method used by totalizm may be understood more easily from an example of competition between two equal but opposite powers (e.g. good and bad, truth and falsehood, health and illness). Any development method based on the same principle, which also does not break any moral laws, is permissible in this philosophy. Thus a democratic government based on the competition between two opposite parties, or a constructive discussion between two scientists, can represent examples of development methods acceptable in totalizm. But methods based on something other than two forces are invalid in the philosophy under discussion, because even if they are temporarily successful, in the long term they cause more damage than progress. For example political regimes based on a single force, as well as those political systems which are based on the simultaneous ruling by many (i.e. more than two) forces of approximately similar power; also the discussion of a controversial subject by a boss and his/her subordinate (non-equal powers) or an unruly discussion amongst a large group of loud-mouthed people, are all invalid methods in totalizm.

The second recognized principle of development applied in the universe is the need to fulfil the requirements of symmetry. It seems that all components of nature may form an almost unlimited number of combinations, but the only successful ones are the combinations that meet the requirements of general symmetry, which are not yet completely known to us. Therefore the evolution of forms from less to more symmetrical occurs. The forms displaying greater symmetry (i.e. displaying symmetry at more levels)

are somehow better than others, so they win the competition for survival, causing the extinction of those which are less symmetrical. Every method based on the need for symmetry is designed in this manner, in that it always applies to a particular situation the rules of general symmetry determined in other areas. An example of such a method is presented in chapter B.

The third important cause of development of the universe, which causes everything to continuously improve its level of adaptation, is the variety of stimuli directed towards a given object (e.g. an animal or a form of matter). A number of methodologies permissible in totalizm are based on this principle. Their operation depends on matching a particular object to evidence originating from reality. The history of our knowledge is in fact also the history of such methodologies. An example of one of them is contained in chapter J.

It should be stressed that sometimes people try to use methods of improvement that do not belong to any of the categories listed above. Some examples are: the hijacking of aeroplanes, terrorism, monopolization, dictatorship. These methods are invalid in totalizm and must not be used for improving anything. There are also methods that are valid for one purpose and invalid for others. For example a "brain storm" as a generation of stimuli is valid, while one person facing an opposing group of people (i.e. where there is a difference in the size of the two forces) to prove a particular point is invalid. But the majority of the known methods already in use are valid in totalizm and therefore can be used freely.

As the above examples show, restrictions of totalizm with the selection of methodologies that can be used for improving something is not so much a limitation for a person wishing to apply them, but rather as a guide to a more successful choice.

E5. Knowledge is responsibility

In almost every area of human activity concerning objects or ideas which already exist, people are just as responsible for their YES stands as for their NO ones. The businessman who takes a wrong NO decision bankrupts his own enterprise. The engineer who refuses to consider someone else's statements builds a faulty machine and loses his/her job or can even land in prison. The doctor who ignores patient's symptoms can be prosecuted for misconduct and struck off the Medical Register. Some false judgments of pilots, astronauts or ship navigators can be measured in the loss of human lives. But when it comes to objects and ideas that are to appear in the future we are willing to pronounce our NO opinions irresponsibly without worrying about repercussions. We never hear that any person is prosecuted when his/her NO claim turned out to be completely wrong, and halted an excellent idea or destroyed a useful invention. On the other hand, such a wrong NO opinion stated publicly may cause more deaths than some wars have. For example, for almost every NO statement quoted in subsection E1, some cases exist of people who died or suffered as a direct or indirect consequence of a given statement.

With the increase of knowledge, people gain a better capability to correctly judge objects and ideas. On the other hand, history shows that judgments concerning the future have the same significance as judgments concerning the present. Both the above put together reveal a principle that "knowledge is responsibility". This principle represents a reversal of the doctrine from the "easy way out" philosophy that "gaining education releases us from responsibility". It stresses that the higher the qualifications someone has accumulated, the greater his/her responsibility must be. Of course, responsibility should be demonstrated independently if a particular knowledge is applied to judgments of the future or present.

The awareness of some people of the rule "knowledge is responsibility", compared with the irresponsibility in the behaviour of others, is very thought-provoking. Let us consider the discovery of Dr Ignatz Philipp Semmelweis (1815-1865) described in the book by G.L. Deloughery, "History and trends of professional nursing" (8th edition, The C.V. Mosby Company, Saint Louis 1977, ISBN 0-8016-1974-2, page 40). Since the time of the quotation that follows, present knowledge about the transmission of diseases has certainly

improved. But what about our responsibility towards discoveries still waiting to be implemented and towards people who have completed them? Have we really changed in this respect?

"One of the most tragic figures of medicine - Semmelweis - was the genius who banished childbirth fever from maternity hospitals. Hungarian by birth, he was assistant at the second Vienna clinic about 1845 when the death rate from puerperal sepsis had reached the appalling figure of 10% of all those delivered. At the same time, it was only about 3% at the first clinic. Medical students were taught at the second clinic, pupil midwives at the first. Semmelweis proved that the high rate of death at the second clinic was caused by the filthy habits of the students. They were dissecting and doing postmortem work at the same time that they took their obstetrical work. Often they walked directly from the postmortem room and proceeded to examine a woman in labour without washing their hands. Rubber gloves were not used in those days. Semmelweis showed that this practice was the cause of the appalling mortality; the fever was caused by decomposing organic matter that had gained access to the mother's system through the generative organs that were traumatized during childbirth. He also showed that other sources could cause it - the examining hand could carry the infection from woman to woman and from infections occurring elsewhere in the body of other patients. Most important, he demonstrated that the infection could be prevented by cleaning the hands with a solution of chlorinated lime before examinations. This work was done before Pasteur began his great task."

One would expect that for such a great discovery, Dr Semmelweis would have been lavishly rewarded by his contemporaries. But the kind of "reward" he in fact received is revealed in another book by P.A.R. Flynn, "The Healing Continuum" (Robert J. Brady Co., Bowie, Maryland 1980, ISBN 0-87619-670-9, page 269):

"He was laughed at by his contemporaries, and the deep compassion with which he pleaded his cause made him many enemies. He was ultimately reduced to standing at the door of the lying-in hospital and begging the young women to deliver at home where they would be safe. He died in disrepute, the object of ridicule and scorn. His notes close to the time of his death contain the following lines: 'I can only dispel my sadness at the death of thousands of young mothers by looking into the happy future when no death will be brought in from the outside to any women having a baby. The conviction that such a time must inevitably come, sooner or later, will cheer my dying hour'."

E6. What is totalizm?

"Totalizm" is defined as a rationalized reversal of the philosophy of "taking the line of least resistance". The previous subsections of this chapter have revealed the primary rule for formulating the principles of totalizm. To apply this rule requires us to take two steps. In the first step we identify and define a harmful doctrine from the "easy way out" philosophy. Then in the second step we reverse the meaning of this doctrine. The more destructive the original doctrine, the more powerful and positive is the principle of totalizm resulting from it.

The primary rule of totalizm can also be expressed in the form of a simplified recommendation for everyday use. This recommendation states:

"in all matters involving intellect, always do the opposite from what the philosophy of taking the line of least resistance suggests you should do".

Because in almost every such matter it is quite clear what the "easy way out" would be, therefore it is also easy to determine (using the above recommendation) what we should do according to totalizm. This makes the philosophy discussed easy to utilize and very useful in everyday situations. Moreover, its practical application always seems to prove extremely effective (e.g. during the handling of conflicts, discussions, reviewing new ideas and inventions).

It should be stressed here that the primary rule of totalizm has a "gravitational" justification originating from the Concept of Dipolar Gravity presented in chapter C (see explanations in subsection C2). According to this concept our universe consists of two

different worlds which are occupied separately by intellect (the other world, or the world of software) and by matter (our world, or the world of hardware). Because in each of these worlds an opposite pole of the dipolar gravitational field prevails, so also the laws that govern them must be opposite. Thus all the principles which originate from the laws of intellect and which describe the the behaviour of intellect (e.g. philosophical principles) must be a reversal of the similar principles which originate from the laws of matter and describe the behaviour of matter (e.g. principles of physical sciences).

The existence of two separate worlds, one of which is concerned with the intellect, the other with the matter, divides all the principles prevailing in our universe into four following categories:

1. Principles originating from the laws of matter and referring to matter (e.g. principles of physical sciences such as physics, chemistry, astronomy, etc.).
2. Principles originating from the laws of the intellect and referring to the intellect (e.g. philosophical principles).
3. Principles originating from the laws of matter and referring to the intellect (e.g. principles that govern feelings).
4. Principles originating from laws of the intellect and referring to matter (e.g. moral principles).

Two corresponding principles which belong to different categories may have different (sometimes even contradictive) content. Therefore if one manages to learn a particular principle operating within one of these categories, a version of this principle acting within other category will still remain unknown to him/her.

The gravitational justification for the primary rule of totalizm introduces a number of practical consequences, one of which is worth mentioning here because it directly relates to the acceptance of new ideas. The well-known phenomenon is that the more detailed expertise in physical sciences someone has, the less flexible his/her personal philosophy tends to be (e.g. he/she is less ready to accept new ideas, is more conservative in opinions, etc.). The cause of this phenomenon is that such experts train their minds in utilizing mainly the laws of matter. Therefore when comes to applying the laws of intellect - which are the reversal of the laws of matter, their minds are simply unable to reverse the way they are used to operate.

This part of the monograph was started in chapter B from the author's finding that having the final concept of a new device is not sufficient to build it. The nation which is first allowed to complete this device must also fulfil a set of rigid social, moral, educational and philosophical requirements (see subsection B1). Presentations from subsequent chapters tried to identify and define the most important of these requirements, starting from educational attitudes concerning antigravity (chapter C), moral laws (chapter D), and finishing with the philosophical principles discussed in this chapter. The author hopes that by highlighting all these additional conditions for the completion of new inventions, he will make readers more aware of the importance of their own thinking and philosophy for the completion of the Magnocraft.

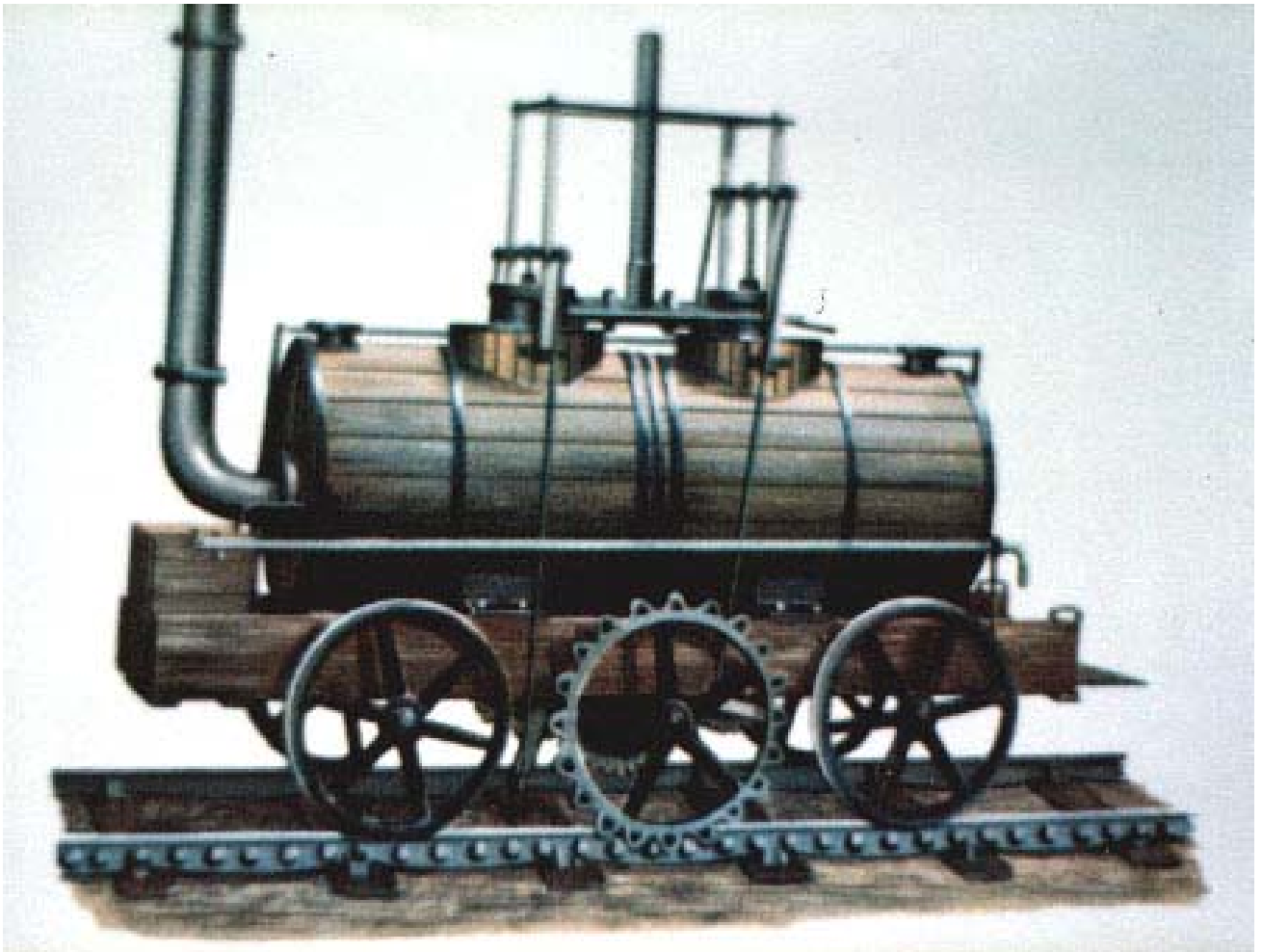


Fig. E1. Blenkinsop's engine built in 1811. As the illustration shows, this locomotive was propelled by a pinion wheel winched along a cast-iron rack rail. The experts of that time were so used to thinking in terms of horse-power that they totally rejected and derided Hedley's idea of propelling a train by a smooth iron wheel. Therefore, if this young creator had not been lucky enough to find the authoritative sponsor who financed his revolutionary invention, locomotives would probably still be using a solution similar to this illustration. Perhaps if this had not happened, our contemporary cars would also be running with legs like horses. Because of William Hedley our civilization won this battle with close-minded people. But no-one knows in how many other areas conservatism has predominated, so that "horse-type" solutions still hold sway.