

**Proof Copy** ([1/5<sub>E</sub>] in the process of updating)

# **Prof. Dr Jan Pajak**

## **Telepathic devices**

Scientific monograph no 9 from the series [1/5] on "Advanced Magnetic Devices",  
5th edition, Wellington, New Zealand, 2008  
ISBN 978-1-877458-89-7

Copyright © 2008 by Prof. Dr Eng. Jan Pajak.

All rights reserved. No part of this monograph may be reproduced, stored in a database or retrieval system, transmitted, or distributed in any form or by any means, electronic, mechanical, photocopying, recording, or otherwise, without the prior written permission from the author or a person legally authorized to act on his behalf. From the obligation of getting such a written permission are only released those who would like to prepare a single copy of this monograph for their personal use oriented towards the increase of their knowledge and who fulfil the condition that they will not use the copy prepared for any professional purpose or for accomplishing material gains, and also that they copy the entire monograph - including the title page, the content pages, all chapters, all illustrations, and all enclosures.

A private edition by the author. Registered in the National Library of New Zealand. Published in New Zealand in two language versions: English and Polish.

Date of the latest amendment of this volume and copy: 25 October 2010. (Note that in case of having access to several copies of this monograph, it is recommended to read the copy which has the latest date of amendment.)

This monograph is a scientific report from results of the author's research. For this reason all parts which have documentary or evidential value are presented accordingly to standards applicable for scientific publications (reports). Special attention is given to the requirement of repetitiveness, i.e. that on the basis of this monograph any professional scientist or hobby investigator who would like to verify, repeat, or extend the author's research should be able to recreate his work and arrive at very similar results and conclusions.

This monograph no 9 belongs to the series of the most important scientific publications by the author. It can be read either separately, or as a volume from the whole series. The entire series is marked [1/5] and have a general title "Advanced Magnetic Devices". It is already the fifth edition of this series. The previous (fourth) edition of it was the 18-volume scientific monograph [1/4] published in 2001 which carried the following title and editorial data: "Advanced Magnetic Devices". Monograph, Wellington, New Zealand, 2001, ISBN 0-9583727-5-6, a private edition by the author, 1800 pages (including 7 Tables and 163 illustrations, in 18 volumes).

All correspondence to the author of this monograph from the series [1/5] can be directed at the following his address in Korea before the end of 2007:

Prof. Dr Eng. Jan Pajak,  
Ajou University, Suwon, South Korea

After the beginning of 2008 the correspondence should be directed at following author's permanent address in New Zealand:

P.O. Box 33250, Petone 5046, New Zealand  
Home tel. (2010): +64 (4) 56-94-820; E-mails: janpajak@gmail.com or pajakjan@yahoo.co.nz

ABSTRACT of this monograph no 9 from the series [1/5<sub>E</sub>] "Advanced magnetic devices", ISBN 978-1-877458-89-7

This volume reviews the most significant theoretical research and experimental findings concerning magnetically propelled devices which utilise motion of counter-matter. The phenomenon utilized in the operation of these devices manifests itself through the action which is opposite to that of friction. As friction spontaneously consumes motion and produces heat, this new phenomenon spontaneously absorbs environmental heat and produces motion. Thus it seems to represent a reversal of friction. Because in its natural form this phenomenon is manifested during telekinetic motion, I have named it the "**Telekinetic Effect**". Research has shown that the Telekinetic Effect can be released in two different ways: (1) biologically through employing a natural capability of the human brain (such version of telekinesis induced by the human brain is frequently called "psychokinesis"), and (2) technologically, through an acceleration or deceleration of magnetic fields. When the Telekinetic Effect is released technologically, it allows for the building of magnetically propelled free energy devices (in this monograph called telekinetic power-stations) that spontaneously absorb environmental heat and produce useful motion. The use of these devices does not require any external energy supply. The monograph explains the design and principles of operation of all five basic categories of such telekinetic power-stations, i.e. motors, generators, aggregates, electrostatic machines, and batteries. Crude prototypes of all these devices are already operational.

In this volume the following main topics are addressed:

#1. An introduction of the Telekinetic Effect. This part refers to subsection H6.1 from volume 4 of this monograph, which explained that, except for friction, contemporary science has discovered a corresponding counter-phenomenon for almost every phenomenon. My discovery that there exists also an effect which represents a reversal of friction (i.e. the Telekinetic Effect) is discussed. Results of various experiments which confirm that the Telekinetic Effect in fact spontaneously absorbs environmental heat and produces motion are presented. The conclusion that the technological utilization of the Telekinetic Effect provides principles for the construction of free energy devices (telekinetic power-stations) is also stressed.

#2. Periodic Table postulating the future completion of telekinetic power-stations. My methodology that allows for the prediction of the future evolution of power producing devices is explained with two examples. This methodology utilizes the so-called "Periodic Tables" which are similar to the "Mendelée'v's Periodic Table of the Elements" except that they are designed for technological devices instead of elements. Such a Table, which is prepared for power producing devices, shows that the power-stations utilizing the Telekinetic Effect will constitute the next generation of these devices built on Earth. The Table also points out the phenomena and principles of operation utilized in these power-stations of the future.

#3. The technological activation of the Telekinetic Effect. Principles of telekinetic motion are explained on the basis of a theory called the "Concept of Dipolar Gravity". Biological and technological methods of producing telekinetic motion are described. The action of the Telekinetic Effect produced technologically through the acceleration or deceleration of magnetic fields is described.

#4. Review of the main categories of telekinetic power-stations already in operation. The major features of operational prototypes that represent all main categories of these devices are reviewed. Literature sources and research contacts are provided.

#5. The utilization of the Telekinetic Effect for transportation purposes. The gradual evolution of a spaceship called the "Magnocraft" into a vehicle propelled by the Telekinetic Effect is discussed.

#6. The utilisation of advanced motion attributes of counter-matter in time vehicles.

This volume (together with volume 4) is especially recommended to all researchers who experiment on free energy devices, and on advanced propelling devices.

CONTENT

of the monograph no 9 in [1/5<sub>E</sub>] "Advanced magnetic devices", ISBN 978-1-877458-89-7

<u>Page</u>	<u>Chapter</u>
1	Title page
2	Abstract of monograph no 9
3	Content of monograph no 9 (notice that content of the entire series of monographs [1/5 <sub>E</sub> ] is listed in volume 1)

**Monograph 9: Telepathic devices (ISBN 978-1-877458-89-7)**

K-1	K. DEVICES WHICH UTILIZE TELEPATHIC WAVES
K-2	K1. The remote mind reader
K-4	K2. The telepathic pyramid
K-5	K2.1. The gift from technology of telekinetic pyramid
K-7	K2.2. The design and main components of the telepathic pyramid
K-9	K2.3. The use of the telepathic pyramid as a telepathyser
K-10	K2.4. The operation of the telepathic pyramid as a telekinetic battery
K-14	K2.4.1. Modifications of the pyramid to be used as free energy devices
K-16	K2.5. The operation of the pyramid as a telepathyser
K-19	K2.6. Procedure of pyramid's completion
K-20	K2.6.1. The recommended procedure of pyramid's completion
K-24	K2.6.2. Subsequent goals of the procedure of pyramid's completion and ways of accomplishing them
K-24	K2.6.3 To-date accomplishments in the development of pyramid's technology
K-29	K2.7. Future applications of the telepathic pyramid
K-31	K3. Thought Recognition Interface (TRI)
K-31	K3.1. TRI of the first generation, and their applications
K-36	K3.2. TRI of the second generation, and their applications
K-40	K3.3. TRI of the third generation
K-43	K3.4. TRI of the fourth and higher generations
K-43	K4. UFOonauts system of communication and ways of blocking it
K-45	K5. The use of telepathic waves for formation of pictures
K-46	K5.1. Telepathic telescopes and microscopes
K-53	K5.1.1. Revealing devices
K-56	K5.1.2. How our cosmic parasites look like
K-58	K5.2. Telepathic projectors and two-directional visual communication at intergalactic distances
K-63	K6. Devices which intercept nature's telepathic vibrations
K-63	K6.1. An alarming device for detecting incoming earthquakes
K-71	K7. Final comment
KB-73	KB. UTILIZATION OF PERMANENT TELEKINETISATION OF SUBSTANCES
KB-73	KB1. Methods of permanent telekinetisation
KB-74	KB2. Telekinetic farming
KB-83	KB3. Stimulation of synthesis of new elements by telekinetised substances
KB-87	KB4. Consequences of telekinetic pollution of our natural environment
KB-94/99	6 Figures (K1 to K6)

**Notes:**

(1) This monograph is a subsequent publication in a whole series of 18 scientific monographs by the author. Each chapter and subsection of this series is marked with a next letter of alphabet. Chapters and subsections marked with letters other than these provided in the list of content above are positioned in different monographs (volumes) of this series. The full list of content for all 18 monographs (volumes) of this series is provided in the first monograph (volume 1).

(2) A Polish language version of this series of monographs [1/5] is also available. Therefore, in case there is any difficulty with accessing an English version of this monograph, while the reader knows the Polish language, then it could be beneficial for him or her to read the Polish version of this monograph.

(3) Both language versions in this series of monographs [1/5], namely English and Polish, use the same illustrations. Only captions under these illustrations use a different language. Therefore, if illustrations for the English version are difficult to access or unreadable, then illustrations for the Polish version can be used equally well. It is also worth to know, that enlarged copies of all the illustrations for these monographs [1/5] are made available in the Internet. So in order to e.g. examine enlarged copies of these illustrations, it is worth to view them directly from the Internet. To find them, the reader needs to find any totaliztic web page which I authorise, e.g. by typing the key word "**totalizm**" to any search engine (e.g. to [www.google.com](http://www.google.com)), and then, after running a totaliztic web page, the reader needs to run from it the web page named "text\_1\_5.htm" available on the same server, or choose the option [1/5] from the menu of that totaliztic web page. Note that all totaliztic web pages allow also the uploading of free copies of this entire series of monographs [1/5].

(4) If the reader would find easier to read this monograph from a hard copy (printout) than reading it from a computer screen, it is worth to know that the PDF format in which this volume is prepared is "ready to print". In case of reading it from a computer screen, a simultaneous opening of two copies of this volume could be helpful, as it allows to open the first copy on the text while the second copy on the Figures, then allows to just jump from one window to another one when changing from reading text to looking at illustrations, or vice versa.

(5) The update and reediting of this fifth edition of [1/5] is going to progress gradually. But readers can realize from the content pages which chapters and subsections are already reedited, or are just subjected to reediting, because on the title page these are marked with the comment "**Proof Copy** ([1/5<sub>E</sub>] in the process of updating)". The remaining chapters and subsections of this monograph still should be digested in the formulation that was made for the previous, fourth edition [1/4] of this monograph.

(6) Note that the spelling used in this series of monographs is a mixture of US and UK English. The reason is that subsequent updates of this monograph were carried out at several different countries, some of which officially used US English, some other - UK English.

(7) To improve the structure of this series of monographs [1/5], the order of chapters and subsections from various volumes was slightly changed in relation to this order that appeared in the older monograph [1/4].

## DEVICES WHICH UTILISE TELEPATHIC WAVES

In chapter H of this volume (as well as in subsection W4) my new scientific theory was described, which I call the **Concept of Dipolar Gravity**. In order to briefly summarise this theory, it was formulated in 1985 in order to describe the nature of gravitational field in an alternative manner to the description of this nature by the to-date science. All to-date descriptions of gravity imposed the non-written assumption that the gravitational field has a monopolar character. Because of this assumption, which turned out to be rather fatal in consequences, the to-date scientific descriptions of gravity I can call the old concept of monopolar gravity. It treats the gravitational field exactly the same as all other monopolar fields, namely as electrical field, pressure field, etc. However, after thorough analyses I discovered, and later proved conclusively, that gravitational field has a dipolar character (not a monopolar one as our to-date science claims it). It turned out that gravity has two poles, something like (N) and (S) in magnets, or like inlet (I) and outlet (O) in pumps, thus displaying similarity to magnetic fields, to fields formed by circulating streams of fluids, or to rotation of air put in motion by a propeller. In turn such reclassification of gravitational field introduces numerous consequences. The most important of these is that in dipolar gravity the universe must be composed of two opposite worlds, in which two drastically opposite substances prevail. In each of these two worlds and substances different phenomena must take place, and different laws must prevail.

One of the important and new phenomena which was postulated from very beginning by this new Concept of Dipolar Gravity was the so-called "Telekinetic Effect" described in subsection H6.1. The existence of this phenomena allows to construct a special type of free energy devices, which I call "telekinetic batteries", or "telekinetic cells". The first such battery I invented in 1989 and described in 1990, and since that time I am describing it in almost every work that I publish - see monographs [6], [6<sub>E</sub>], and also descriptions in chapter K of this monograph.

Another important phenomena which was revealed by the new Concept of Dipolar Gravity, is that in each of these two worlds different types of vibrations must propagate themselves. In our world, the most well known spectrum of vibrations is known as "acoustic waves" or "sounds". In other spectra, vibrations from our world are called differently, depending on their frequency, medium in which propagate, etc. Thus they can be called: "ocean waves", "mechanical vibrations", "earthquakes", "oscillations", "ultrasounds", etc. In turn vibrations which propagate along the boundaries (border surfaces) between both worlds are called "electromagnetic waves". Finally vibrations that propagate within the counter-world are called "telepathic waves" - for their further descriptions see subsection H7.1.

Although various researchers for a long time detected empirically the existence of telepathic waves, our orthodox physics based on this old concept of monopolar gravity did not allow to justify that any type of waves could exist that still would remain unknown to scientists. It was only the new Concept of Dipolar Gravity which theoretically disclosed that there is a whole counter-world about which our science know nothing, and that this counter-world must support various types of vibrations that still remain undiscovered (e.g. apart from the telepathic waves described in subsection H7.1, we already know that the counter-world supports also totally different types of vibrations that are involved in process of permanent telekinetising - as described in subsection J2.2.2.1 of monograph [1/3]). Therefore with the dissemination of my new Concept of Dipolar Gravity, the empirical search for telepathy become fully justified and started to have a theoretical basis.

Both these basic phenomena which take places in the counter-world, namely the "Telekinetic Effect", and the "telepathic waves", together with two key devices which I invented on basis of these phenomena, namely with the "telekinetic battery", and the "remote mind reader", proved to be extremely vital for my understanding the operation of the telepathic pyramid of Mrs Daniela Giordano described in this volume. For this reason I will tell more about them in two subsections that follow.

### K1. The remote mind reader

The next, and most probably also the most important, step in the direction of working out and describing the principles involved in the operation of telepathic pyramid, was the invention of, and experiments with, a device which I called the "remote mind reader". Here is the history of this invention.

When my Concept of Dipolar Gravity was published in the article [1K1] "Gravitation als Dipolare Felder", from the West-German Journal Raum & Zeit, No 34, June/July 1988, pages 57 to 69, one of the scientists who contacted me was the late Werner Kropp of WEKROMA Laboratory (Via Storta 78, CH-6645 Brione s/M, Switzerland). Because of the similarity of our research interests we later became acquainted with each other and I had the honour of considering myself to be one of his close friends. Unfortunately Mr Kropp passed away on Sunday, 5 February 1995, i.e. shortly after the writing of treatise [7] was finished. (By the way, the futuristic research that he was carrying out, the strange fact that the date of his death coincided with publishing treatise [7] about the telepathic pyramid which almost for sure he would try to develop, as well as circumstances of his death, qualify him to be one of countless victims of assassinations by aliens, as explained in subsection W4.) He was a brilliant scientists working in very unconventional areas, and if not his premature death he would contribute significantly to the progress of our civilisation. Amongst many results of his interesting research which he then shared with me, was also the concept of what could be called a "telepathic sensor". The operation of this sensor is quite complex as it involves a new theory behind of what Kropp called the "K-field". However, if one sets aside the technical details, the telepathic sensor is simply a glass ampoule of 0.9% solution of kitchen salt in distilled water (i.e. in water extremely pure chemically and also unaffected magnetically). If such an ampoule is placed in a beam of electromagnetic radiation, the spectrometric properties of this solution are continually modified by the thoughts of a nearby person. This extremely important discovery of the late Werner Kropp inspired me to invent the "**remote mind reader**", i.e. a parental idea to "Thought Recognition Interfaces" described in subsection K3 of this volume, as well as the device which helped me to understand the operation of the Mrs Daniela Giordano's telepathic pyramid. The "remote mind reader" was a device which would read at a distance thoughts of a given person and then output these thoughts in a written form.

My invention of the remote mind reader was based on the following principle. Thinking about each different (but known to us) idea, modifies the properties of the "telepathic sensor" according to a separate curve which is unique to this particular idea. This curve is input to a computer during the "scaling" of the telepathic sensor, and stored in its "bank of thoughts" together with the known idea which this bank describes. The later comparing this initially input curve with all other curves coming in via the same sensor, makes it possible to recognize the moment when a newly incoming curve is identical to the curve we already know. Achieving such a recognition would mean that the sensor just detected someone thinking about this known idea (i.e. the idea already known to us and stored in the computer's "bank of thoughts").

My "remote mind reader" invented in this manner turned out to be very similar in operation to the telepathic pyramid described in this volume. For example the pyramid is also a device which reads someone's thoughts, it also uses a "telepathic sensor" which takes the form of a glass ampoule filled with salt and mercury (only that this time salt is "mixed" with

mercury, not "dissolved" in water), and also this sensor is placed in the beam of electromagnetic radiation which allows to monitor its properties which keep changing in the rhythm of someone's thoughts - see (T) in Figure K3.

Werner Kropp also worked on an invention (although his device served another purpose and was based on a principle which significantly differed from mine) which utilized this "telepathic sensor". His invention concerned inter-dimensional communication and was designed to pass messages with the use of signals type Morse's code. Thus after further correspondence we decided to experimentally test the feasibility of both our inventions. We wanted to use the research station which he set up in his laboratory and which included an interferometer linked on-line with a computer via analogue-digital convertor/interface. In this research we tried to achieve the following mechanism of my "remote mind reader's" operation (note that only by using a different "decoding program" the same mechanism allowed also the simultaneous testing the "inter-dimensional communicator" invented by Werner Kropp). The thought pattern of a nearby person, which corresponds to a given idea (e.g. this person thinking of number "8") changes the properties of salt solution in the "telepathic sensor" according to an unique curve. The curve of these changes is detected by the interferometer which cyclically probes the sensor. Then the curve is passed to the convertor/interface. The convertor/interface transforms this curve into a series of numbers. These numbers are passed to the computer linked on-line with the convertor/interface and then analysed by the "decoding program". The decoding program working in real-time analyses the incoming series of numbers and recognizes what thought these series represent (this recognizing depends on "matching" the newly incoming series of numbers with the series representing ideas already known and contained in the "bank of thoughts" of this computer which was created during scaling of the whole system). After decoding the incoming thought, the program writes on the screen the key word corresponding to a given idea (in our case the digit "8"). In this way, after "teaching" the decoding program how to recognize the most basic ideas (i.e. after supplying its "bank of thoughts" in these basic ideas), it would be possible to use the system which I invented for reading at a distance thoughts of a selected person.

In 1991 I designated my summer holidays to fly from New Zealand to Switzerland and to experimentally test with Werner Kropp my invention of the "remote mind reader" as well as his invention of the "inter-dimensional communicator". We used the testing stations combined in his laboratory (i.e. his interferometer, convertor/interface, and computer) and "decoding programs" personally designed and written by myself. In the case of my own invention of the "remote mind reader", these testing proved to be only partially successful, because I managed to work out the decoding program which sometimes recognized my own thoughts type "one digit number" (i.e. a number between 1 to 9) but failed to filter my thoughts from other noise signals which at random bombarded the "telepathic sensor". The analyses of results of this research indicated that for complete success it was necessary to introduce the modification to the telepathic sensor which would allow it to be "tuned" to the thoughts of a selected (single) person and thus which would eliminate the noise signals which come from outside. This is because the sensor used by us registered simultaneously thoughts of all people present in the vicinity, and therefore my decoding program worked relatively well only when I was alone in the laboratory, and began to fail immediately after Kropp appeared in there and our thoughts began to mix. This "tuning modification" of the telepathic sensor turned to be difficult to invent and it was not ready until I learned the design of the pyramid described in this volume. The pyramid solves this problem in an extremely simple and very effective manner - i.e. the user holds the telepathic pyramid in his/her hands, thus only the user's thought are modulating the pyramid's sensor.

Because of the distance from Wekroma laboratory and costs of travel (which, due to the lack of official support for this research, I need to finance from my private funds), since 1991 until the completion of this volume I have had no opportunity to continue any experiments with my "remote mind reader". However, this invention, together with the invention of the "telekinetic battery", turned out to be extremely important for the working out of

the design and operation of the pyramid described here. Thus, after receiving from Mrs Daniela Giordano the descriptions of this pyramid I immediately recognized in it various elements of my own inventions, and without difficulty determined what phenomena and principles this pyramid utilizes in its operation.

## K2. The telepathic pyramid

On 27 June 1993 - i.e. in over three years after inventing telekinetic batteries, and around two years after finishing experiments with the remote mind reader, I was informed via a letter about another device (the pyramid) which also fulfilled majority of functions of these two my devices. My acquaintance with this new device occurred in the effect of a whole chain of rather unusual "coincidents", which themselves would be worth to be researched. This new device I will call here the "**telepathic pyramid**". It represents one of many possible technical implementations of a telepathyser.

Immediate after receiving the description of the telepathic pyramid I recognized in this device the elements of two my previous inventions, namely the remote mind reader, and the telekinetic battery. Thus without difficulty I determined the principle and phenomena on which the operation of this device is based. For example the telepathic pyramid also is used for intercepting thoughts, it also uses a telepathic sensor which is an ampoule filled up with a mixture of salt (only that this time salt is mixed with mercury), and also its telepathic sensor is placed in the beam of electromagnetic waves (light) which allows optical monitoring its properties that are changing in harmony with the user's thoughts - see (T) in Figure K3. In addition to this, the design of this pyramid in a very simple but effective manner solves the "tuning problem" that was preventing the completion of my remote mind reader. (This tuning depends on closing with the volume of this pyramid a gap in the user's biofield - see the manner this pyramid is held shown in the top part of Figure K1.) Therefore the thoughts of a user are more dominant than any noise signals that the sensor of this pyramid could accidentally intercept from the environment. As such, the telepathic pyramid represents the device which is much more perfect from the remote mind reader, and therefore which deserves to be completed at the highest priority. Simultaneously, as this is going to be explained in subsection K3, the realisation of this pyramid will open the path to the formation of an improved version of the remote mind reader that I originally invented. This improved version of the remote mind reader I call the "Thought Recognition Interface" or "TRI" and its comprehensive description I provided in subsections K3.1 to K3.4. TRI was also described in my scientific paper **[1K2]** entitled "Thought Recognition Interface" - presented at the "National Conference on Cognitive Science (CSC'98)", The Mines Beach Resort, Kuala Lumpur, Malaysia, 29-30 September 1998 (Subsequently it was also published on pages 245-252 of Proceedings for this Conference. The address of Organizing Committee: Faculty of Cognitive Sciences and Human Development, Universiti Malaysia Sarawak (UNIMAS), 94300 Kota Samarahan, Sarawak, Malaysia.)

The construction of the telepathic pyramid I learned from my long term pen-pal, Mrs Daniela Giordano - the coauthor of treatises [7] and [7/2]. I have corresponded with Mrs Daniela Giordano since 1988. (Due to a "coincidence", the time when we started our correspondence, matched approximately the time when I invented my "remote mind reader" described in subsection K1, the operation of which is very similar to the operation of the telepathic pyramid.) But it was only on 27 June 1993 when she wrote to me a break-through letter in which she admitted that a little being with blue eyes "disclosed" to her the description of a "pyramid", and ordered her to build it. (At the time when I received this letter I had just finished the analyses of experiments on my "remote mind reader" and I reached the level of knowledge required to understand this pyramid and to appreciate its superiority over my own invention. Thus, because of another "coincidence", the "delay" of Mrs Daniela Giordano in telling me about her device coincided exactly with the time I needed to accumulate the



appropriate level of knowledge and experience.) After learning the details, this pyramid turned out to be an improved realization of my remote mind reader. Thus, after some discussions and consultations, we both decided to publish its description. In this way the previous treatise [7] was published, and also the concept of writing treatise [7/2] was born.

Soon after the previous treatise [7] was published, I started to experience multitude of strange events, which were happening in such unusual way, that they all together were preventing the completion of the telepathic pyramid, and also were making impossible the publication of our second treatise [7/2]. After these events were thoroughly investigated, it turned out that they were caused by UFO-nauts themselves, with the use of their very difficult to detect methods of interference with our affairs. Of course, the discovery that UFO-nauts try to prevent the completion of the telepathic pyramid, initially was a big surprise for me. This is because when I learned about this device, I was believing - or rather I was being talked into the belief, that it was given to us by UFO-nauts. Even when I was writing previous treatise [7], I implied in it that the pyramid was probably given to us by UFO-nauts. Thus, when finally I discovered that UFO-nauts are these ones who desperately try to hold back the completion of this device, I also realized that this pyramid, as well as many other similar defence devices, was not given to us by UFO-nauts who occupy our planet, but by anonymous "cosmic allies" who sympathise with the gloomy fate of humans and try to help us in our struggle for freedom. Thus one of the consequences of holding back by UFO-nauts the development of this pyramid, was a whole series of discoveries, namely that the civilisations that populate universe are divided into two camps or philosophical poles (i.e. totalizts and parasitists), that totalizts have no physical access to Earth thus must help us at a distance, that our totaliztic allies are organising "supply of weapons" for us (i.e. teach us how to build the breakthrough technical devices which significantly lift the level of human technology and thus allow us to initiate our defence from the cosmic parasite), etc.

Contrary to what was the case with my "Magnocraft", "oscillatory chamber", "telekinetic cell", or "remote mind reader", which all were invented on Earth, the "telepathic pyramid" was given to us in a ready form by the representative of our "cosmic allies". The further parts of this subsection are to describe how it is to be used, how it operates, how we should go about building it, etc.

### K2.1. The gift from technology of telekinetic pyramid

As the receiver of the gift of telepathic pyramid was chosen Mrs Daniela Giordano (Via Antonio Veneziano, 120, I-90138 Palermo - Sicily, Italy). Here it is how in treatises [7] and [7/2] she describes herself this gift:

\* \* \*

One night around the summer 1978 I was sleeping in my bedroom. Unexpectedly my dream was interrupted. And as it sometimes happens when a film breaks during the projection of a movie, only a big black screen without borders remained in my view.

On this black screen a "Being" appeared, possibly of male gender. Actually "He" was a little bit strange. He had a head quite big and round like a billiard ball. His skin was milky-white and it was possible to see thin, clearly blue and pink capillary vessels on His cutis. The pattern of these vessels reminded me of delicate wrinkles on the facial skin of a prematurely-born baby. The nose was just outlined, the mouth was only a short, horizontal cut on a little chin. But the eyes were big, clear blue in colour, sweet in glance, placed on very high cheekbones. It didn't appear that the skin of His face had ever known a beard. He had no hair at all. The neck was thin but not very long. The thorax, the arms and the hands were white-grey, maybe only a half-tone darker than His head - as if He wore a very thin and tight suit. I don't remember having seen nails or ears.

Between His hands He held a pyramid of about 27.5 [cm] high (see **Figure K1**). At the outside it was of lacteous colour and looked made of opaque plastic or perspex ("perspex" is

the commercial name for a material made of "methyl methacrylate resins"; popularly it is also called "organic glass" or "plexiglass"). The inner space was not visible. With the open palm of His right hand He supported the pyramid's base while the open and tight palm of His left hand rested on the cusp of the pyramid.

He was facing me as in a half-length photograph. He did not seem to be very slim nor fat. Surely you could not define Him as a lean guy. It gave the impression He had never done gym exercise in His life.

He let Himself be watched by me for a moment before beginning to talk. He didn't move the mouth and His words arrived directly to my mind in Italian - as if I have had the ears over there rather than on the sides of my head. When He talked the pyramid emitted an intense and soft white pulsating light following the same rhythm as His words and emotions.

"You must build a pyramid like this one", He said.

"Why?" I replied. (I don't like strangers telling me what I should or shouldn't do.)

"To talk better to each other", He answered.

It looked a good reply. I considered for a moment my 'technical capability' and said: "It is impossible. I am not able to do it. I don't have technical knowledge in my background".

"Don't worry, it is not difficult", He answered with reassuring tune and with the emotion of a smile transpiring between His words.

"Listen to what you have to do", He continued. "Take a phial and fill it half with mercury and half with salt and put them in the vacuum...".

I interrupted Him asking: "What kind of salt?" (I was thinking in my kitchen I had two pots of salt. One with thin salt for dishes and the other one with salt of bigger grains - just called 'kitchen salt' because you put it directly in the water when boiling spaghetti).

"Kitchen salt will be good", He answered. "Then you connect the phial to a spiral and the spiral to a pyramid {frame}, then ...".

I interrupted Him again - now slightly troubled because I had lost the 'thread' of the argument: "It is too difficult!".

This time my interruption came to nothing. He continued unperturbed as if He had not heard me: "... Place quartz inside the spiral over the phial ...".

"But I am not able to!", I repeated.

"... place an aluminium disk on each face of the pyramid. One of them must have a hole in the centre ..."

The more He talked, the more I became troubled. He did not give me the time to think. He provided me with too much new information and I had no time to assimilate everything. Already I almost forget what He had told at the beginning of the speech.

I shouted: "Stop, please, stop!"

"... build a pyramid {frame} and the spiral with copper and connect them together ..."

Now I was really angry. My interruptions were ignored. And if the other person doesn't hear you, it is not a dialogue but an imposition. So I shouted again: "Stop, I don't understand!". But by now He was 'gone'. He looked like He was video-taped: "... when you connect them, remember that all must have a ratio: that one between the pyramid and the spiral must be the same, the quartz and the frequency must be harmonic. Even the inner volume of the pyramid must be in the vacuum ...".

I don't remember what else He said. He continued to talk and talk ... I was no more listening. At that moment all my efforts were concentrated on the attempt to break off that contact. I was aware that a part of my mind was connected with His, but His 'panzer-kamikaze' will (strong will) had really disturbed me. And I wished with all my strengths to come out of that situation.

When I was a kid I had found out that to interrupt a bad dream or a nightmare it was enough to get angry with the character of the dream, or with the situation, or with myself. It worked also this time and I woke up still breathless and with my heart beating wildly. I found myself in my bedroom and it was still night.

Mrs. Giordano constructed later two prototypes of this pyramid. Unfortunately, during her protests probably some vital technical details escaped her attention, because prototypes that she constructed never worked in the manner that was shown during this demonstration of the advanced creature (these lost details – most probably taking the form, amongst others, of lacking connections, seems to be revealed during theoretical research by the author concerning the telekinetic cell described in subsection K2.4). Still tests completed on both her prototypes indicated that in special circumstances (e.g. when electricity was supplied from external sources of fast alternating currents) her pyramids still emitted and received some kinds of signals.

Independently from Daniela Giordano, the description of the design of the same pyramid was given to a number of other people (amongst others in Poland and in New Zealand). Unfortunately, in descriptions of these further people also vital details were missing. Furthermore, because of the financing of this research from my own private pocket, I could NOT afford talking in person to all these other people. So only very sparse additional details I managed to gain via correspondence from some of these other people, which I am summarizing in subsection K2.6.3 below.

Readers who are interested in the device discussed here and would like to join efforts of technical completion of it, should be aware that there are two treatises (see [7] and [7/2] listed in chapter Y) which are entirely devoted to the description of the telepathic pyramid. But because various difficulties can appear with accessing these other publications, for the consistency of presentations in the next subsection I am going to summarize the general design and principles of operation of this pyramid. For hobbyists who are familiar with electronics, the details provided here - together with the recommended developmental procedure described in subsection K2.6, should suffice for initiating their own experiments on the construction of this extraordinary device.

## K2.2. The design and main components of the telepathic pyramid

This chapter describes main components of the telepathic pyramid. In the wave braces {like these} I added the technical details and explanations which are not provided in the original report of Mrs Daniela Giordano, or not obvious from the prototypes she completed, but which are outcome of my research on telekinetic batteries, or on telepathic waves. I intentionally distinguished the details that I introduced from these repeated by Mrs Daniela Giordano, so that they are separated from the original disclosure and enable the future builders of this device to question or to approve the correctness of my deductions.

The external appearance, the design, and main components of the telepathic pyramid are illustrated in Figure K3. This device is around 27.5 cm height. {In the geometrical sense it represents a "isometric pyramid", i.e. the one in which height base-to-top ( $h=27.5$  cm) is equal to the side dimension ( $a=27.5$  cm) of the square base. The main dimension ( $h=a$ ) is equal to around half of a unit of length named "cosmic cubit" - which seems to be used by many civilisations as a kind of universal unit of length.} The pyramid's main components include: "**framework**" (F) made of copper wire {of around  $\varphi = 5$  mm thick}, and the hermetic "**casing**" (P) shaped into a pyramid made of a glass or plexiglass that hermetically encapsulates this framework. The framework (F) is composed of eight straight pieces of thick copper wire (four pieces of around  $l=32.7$  cm long for pyramid's sides, and four pieces around  $a=26.5$  cm long for pyramid's base) welded together or bend in such a manner that they form edges of a pyramid that well fits inside of the casing. In turn casing (P) is composed of five plates (i.e. one square with side dimension of around " $a=27.5$  cm", and four isosceles triangles with the base equal to around " $a=27.5$  cm", and the height equal to around " $h_1=30.8$  cm") which are made of robust milky or transparent material (e.g. glass or plexiglass) of around 5 mm thick. All these plates are so glued together that they form a pyramid in which the height " $h=27.5$  cm" is equal to the side dimension of the square base " $a=27.5$  cm". {Note that in the final, operational

model of this pyramid, the casing must be made of milky-transparent material, because the operation of this device is based on the interference of standing waves of light formed by the pyramid, with the user's aura. Therefore a transparent casing would allow the disturbing noise light signals to enter the pyramid. However, from the first experiments with these pyramid, and also from the analysis of its operation, it is obvious that building a working prototype of this device is a laborious process which requires a lot of improvements and fine tuning (see subsection K2.6.1), thus which almost for sure is not able to provide a working prototype in a first go. Therefore, for experimental purpose, it is much better to build first prototypes with a crystal-transparent casing, as such casing enables a better observation of the pyramid's interior during the first experiments. Only when the prototypes start to work and the user's thoughts start to modulate the pyramid's oscillations, then this transparent casing should be exchanged into a milky one.} The pyramid's casing (P) encloses not only the copper framework, but also all other components and circuits of this device, thus allowing to keep vacuum in the interior of this device. On each side wall of casing (P) a round "**disk**" (D) is assembled. These four disks are made of aluminium plate. One of them has a hole of around  $d=3$  to  $d=5$  mm in diameter in its centre. When they are glued to side walls of the pyramid, their location is so selected that they do not touch any other conductive component of the pyramid - especially spiral (C) and framework (F). {Disks (D) form a "**telepathic resonance cavity**", the four 'deflectors' of which - i.e. four disks (D), are concentrating the resonating telepathic signal on the quartz crystal (Q). My theories suggest, although this was not indicated in the original report of Mrs Daniela Giordano, that these disks are also performing additional function of plates of a vacuum capacitor - hence the importance of vacuum inside of the pyramid. The hole inside of one of these disks is to calibrate/select the frequency of telepathic wave that is allowed inside of the pyramid, and to define the initial conditions of deflection and resonance of this telepathic wave.} Inside of the pyramid a spiral "**coil**" (C) made of seven coils of a copper wire around  $\varphi=5$  mm thick, is suspended from the pyramid's apex. This spiral (C) cannot touch the disks (D), although is connected with the frame (F). In the centre of pyramid, approximately at one-third of its height from the base, a quartz "**crystal**" (Q) is suspended. {This crystal should be spherical or ellipsoidal in shape. None of its dimensions should exceed the diameter "d" of the hole in one of aluminium disks. The exact positioning of this crystal is to be determined at the "fine tuning" stage of the pyramid's development, as the "telepathic focal point" in which it is to be suspended decides about the frequency of telepathic waves that act on the crystal, and thus determine the harmonic compatibility between the crystal and the resonance cavity of the pyramid. The usual way this crystal is suspended exactly in the "telepathic focal point" is by stretching it tightly with the same wires that connect it to the pyramid's circuitry.} The pyramid contains also two "**inductors**" ( $I_1$ ) and ( $I_2$ ). Each one of them is obtained through orderly winding respective number of insulated copper wire on a permanent magnet. The next component of the pyramid is a "**tube**" (T), called a "**phial**" by Mrs Daniela Giordano. This tube (T) is a vacuumed glass ampoule, the volume of which is filled up half volume with mercury, half volume with kitchen salt, and which has two electrodes inserted at both ends. In four corners of the Mrs Daniela Giordano's pyramid four "**cascades of mirrors**" (M) are placed. {However, I believe that these cascades should rather be placed in centres of each side, so that together with the tube (T) they could form effective optical interference cavity.} Each of these cascades is composed of three small mirrors, the dimensions of which are descending. {These four cascades of mirrors (M), together with the tube (T), are forming an effective optical "**interference cavity**". This cavity serves the formation of an optical connection between the user's biofield, and the electrical oscillations that are induced in the pyramid. Therefore, in the telepathic pyramid described here, the cascades of mirrors (M) which are deflecting back the light produced by tube (T), and which sustain the interference between the user's biofield and this light, are performing the function of a "thought microphone" and "thought speaker" which "intercepts" and "alters" the user's thoughts. Because of the use for formation of this cavity, the dimensions and shapes of individual mirrors should be so selected that in each of them

around one-third surface of the tube is reflected, and that the largest mirror could fit the whole picture of the tube (T), whereas in the smallest mirror only around one-third of the picture/deflection of the tube is deflected.}

The manner in which all elements of the telepathic pyramid are electrically connected (wired) with each other, is shown on the diagram from **Figure K1**. These connections form several electronic circuits, the most important of which is "electronic resonator". More regarding these electronic connections is stated in subsection K2.4. However, note during the analysis of this electric diagram that the majority of connections shown there are not originating from the disclosure of the "little being with blue eyes", but were worked out by myself on the basis of my theories which explain the operation of telekinetic batteries and telepathysers. These connections which were recommended in the original disclosure, on the diagram from Figure K1 are marked with continuous lines, so that the reader could distinguish them from connections which I worked out, and which I illustrated on this diagram with broken lines so that the device developers are aware that these my connections not necessarily are absolutely correct.

### K2.3. The use of the telepathic pyramid as a telepathyser

In order to facilitate the understanding of principles applied in the operation of this pyramid, which are to be explained in subsections that follow, I start my technical disclosures from explaining how to use a couple of such pyramids as two telepathysers that converse with each other. Our knowledge as how to use these devices should form a frame of references which could be very helpful in understanding further explanations which describe how these pyramids work. Furthermore, such frame of references should allow us to understand the design conditions and limitations that this device is subjected to. Here is an explanation how to use two identical such pyramids so that they converse with each other as telepathysers.

The first one of two identical pyramids - let us call it "emitter", is held between hands of one person, while the second one - let us call it "receiver", is held between hands of another person some distance apart. Both pyramids that are to converse with each other, are tuned to exactly the same parameters of operation (e.g. they are tuned to the telepathic wave of the same frequency, their resonance chambers resonate at the same frequency, and also their electrical resonators generate the same frequencies), and also they face each other with the disk which has a hole in its centre. The pyramids are also held in such a manner that their bases are resting on the open palm of one hand of their users, while the open palm of the other hand of their user rests on pyramids' apexes - see Figure K1. In this manner the pyramids' interior (or more strictly - their optical "interference cavity") are closing the circuits of biofields of their users. The way these pyramids are held (i.e. so that the optical interference cavity is closing the biocircuit of the user) allows the user to tune his/her biofield into the telepathic sensors of these devices. Thus, these sensors are only intercepting thoughts of their users, while the influence of outside "noise signals" is eliminated.

The thought of every person, including also the person who holds the transmitting pyramid, manifests itself, amongst others, as vibrations of biofield of this person. In turn this vibrating biofield is interfering with the standing optical wave that is formed in the optical interference cavity - namely between cascades of mirrors (M) and the tube (T). Therefore whatever this person thinks, it is superimposed onto the optical wave that bounces between the cascades of mirrors (M) and the tube (T). In this way, thoughts of the first person, due to feedback that is formed between the biofield of this person and the optical interference cavity held in hands of that person, are modulating the oscillations of electrical currents that flow in the circuitry of the pyramid. Then these electrical currents, in the coil (C) are transformed into oscillations of magnetic field emitted by the pyramid. In turn these modulated with thoughts oscillations of the magnetic field are instigating vibrations of the counter-matter, which (the vibrations) are propagating throughout the counter-world as modulated telepathic waves. The

second telepathic pyramid, which operates exactly on the same parameters as the first one, but is held by another person, intercepts these telepathic waves. After interception, it transforms them into oscillations of the electric field, to finally turn them into the vibrations of biofield of the receiving person. The thoughts that are carried out by these vibrations of the biofield are superimposed on thoughts of the receiving person. Thus, this another person perceives these superimposed thoughts as thoughts which were communicated to him/her at a distance without the use of speech. Because each of two pyramids hold by these two people is simultaneously performing the function of transmitter and the function of receiver (i.e. works in the "duplex" system), therefore between both people a kind of silent conversation is going on, where the communication is occurring by the means of exchange of thoughts.

The above description as how to use the pyramid reveals that in the operational sense it is quite similar to today's cellular phones, or radio-communication devices. Only that instead of electromagnetic waves it uses the modulated (analog) telepathic waves that propagate in the counter-world, and also that instead of speech it uses the exchange of thoughts. Therefore one of the most vital condition of such communication via pyramids described here, is that both pyramids which converse with each other must keep the frequency of their telepathic vibrations on exactly the same value. Of course, no matter what is the frequency on which both pyramids are conversing, the communication still will occur if both pyramids are able to precisely tune into it (similarly as today radio-communication devices can converse on any frequency, if both sides are able to tune into it).

Of course, there are also cases, when only a single pyramid should allow to provide an effective exchange of thoughts. Their example may be a case, when the thought communication occurs between two people who are so close to a pyramid that both of them can permeate the interference cavity with their biofield (e.g. when both of them can hold simultaneously the same pyramid). The other example could be when someone uses only a single pyramid in order to intercept (eavesdrop) telepathic messages and orders that are beamed towards Earth by our cosmic parasites, or telepathic conversations that are carried out between these parasites and their earthly collaborators.

#### K2.4. The operation of the telepathic pyramid as a telekinetic battery

When Mrs Daniela Giordano in her important letter of 27 June 1993 disclosed to me the design of the telepathic pyramid, I was already carrying out the research on the telekinetic battery for over 3 years. Therefore, when her pyramid arrived to my hands and I started to analyse it, I instantly recognized that apart from the telepathyser, it also performs the function of a telekinetic battery. This in turn realized to me that the principles of operation of the pyramid described here constitute a combination of two separate devices, namely a **telepathyser**, and a **telekinetic battery**. Both these devices: (1) are superimposed on each other, (2) are using exactly the same components (i.e. each component of the pyramid performs dual functions, one for the telepathyser, other for the telekinetic battery), (3) are supporting each other in their operation (i.e. the telekinetic battery supplies the pyramid with electric power which is then needed to make the telepathyser work), and (4) from the functional point of view are forming a single device. Because of this dual operation of the pyramid described here, each of its componential devices requires a separate description. The explanations of these two devices I intend to start in this subsection from the telekinetic battery. Note that the "pure form" of such battery is extensively described in subsection LA2.4 of this monograph, so here only these descriptions will be provided which are necessary for understanding how this pyramid operates.

Before the technical description of the operation of this pyramid as a telekinetic battery is provided, I should elaborate further on this duality of components' functions. This duality means that every single component of the telepathic pyramid is fulfilling as many as two separate functions, one for the telepathyser, the other for the telekinetic battery. But the

requirement is that in physical sense both these functions are very similar and utilise the same kind of phenomena. For example, the tube/phial (T) is a supplier of the additional "axes of freedom" for the telekinetic battery, but also it is a "thought microphone" and "thought speaker" for the telepathyser. In turn the conical coil (C) is a plate of an electric capacitor for the telekinetic battery, and also a telepathic broadcasting antenna for the telepathyser. The quartz crystal (Q) is a piezoelectric generator of the initiating electric oscillations (a pulser) for the telekinetic battery, and also the receiving antenna and demodulator for the telepathyser. Etc., etc. In this subsection only functions performed by these components for the operation as a telekinetic battery are discussed. However, in subsection K2.5 also functions performed by the same components when functioning as a telepathyser are going to be elaborated.

The components of the pyramid discussed here, which form the telekinetic battery, can be classified into several separate devices, or basic electric circuits - see Figure K3. These devices, or basic circuits, are synchronised with each other electromagnetically, although are independent functionally. They include: (1) a pulser, (2) two field-deforming, permanent magnet inductors (the first of which is telekinetically thrusting forward, the second is telekinetically thrusting backward), (3) a resonator, (4) a tube, (5) a capacitor. Here are descriptions of these devices, or basic circuits.

#1. A **pulser** (Q). Its basic function is to induce a stream of initiating electrical pulses. These pulses are later forwarded to the inductors ( $I_1$ ) and ( $I_2$ ) where they are telekinetically reinforced with additional energy. The pulser is composed of a quartz crystal (Q) and a telepathic resonance cavity formed from four disks (D) which focus on this crystal the incoming telepathic waves. The electrical oscillations formed by this pulser originate from the oscillating piezoelectric effect occurring cyclically in the quartz crystal (Q). This crystal is vibrated by the incoming telepathic waves which have the frequency harmonic to that of the crystal itself, and which are focused on the crystal by four disks (D). These incoming telepathic waves cause the vibrations of the counter-material duplicate of the crystal (located in the counter-world). In turn the vibrations of the counter-material duplicate are being passed onto the material structure of the crystal located in our world, according to the principles of telekinetic motion described in subsection H6.1. Of course, when the material structure of quartz starts to vibrate, then - according to principles of piezoelectric effect, it generates impulses of electric energy. These electric oscillations are being conducted from the crystal into the circuitry of the telekinetic battery and telepathyser.

The quartz crystal (Q), which is a main component of the pulser, provides also the resonator (R) with a "reversible component". In turn this reversible component is a source of an important property "inertia" for the telekinetic battery. In subsection LA2.4 it was described that this property results from the "piezoelectric effect" working in both directions, i.e. converting crystal's physical vibrations into electrical impulses, but also converting electrical impulses into physical vibrations. Such a reversible component is a necessary requirement for the resonator (R) to become "reciprocal", and thus to allow it to work as a telekinetic battery. This ability of the quartz crystal (Q) to reverse its operation and to work in both directions, results from the nature of piezoelectric effect that this crystal contributes to the pyramid's circuitry. The piezoelectric effect always works in both directions, namely it is capable to convert a deformation into electric impulse, or convert electric impulse into a deformation. Therefore it provides the pyramid with necessary inertia which in turn converts the chaotic energy impulses that act on the circuitry of this device into an uniform AC electricity.

If one would like to compare the function of the pulser to something that we know in present technology, then the closest comparison would be to clocks in computers which generate the timing cycles on which the whole operation of the computer is based.

#2. **Field-deforming inductors** ( $I_1$ ) and ( $I_2$ ). While all other components of the telekinetic battery are there to prepare the right conditions which trigger the telekinetic generation of electricity, the field-deforming inductors ( $I_1$ ) and ( $I_2$ ) are these components which actually carry out this telekinetic generation of electric currents. For this reason they are the most important components of every telekinetic battery.

In order to understand how these inductors generate electricity, it is necessary to remind ourselves what in subsection H6.1 was stated about a technical manner in which the Telekinetic Effect is produced. As it was explained over there, in order to form the Telekinetic Effect, force lines of a magnetic field must somehow be accelerated. In turn, if such a Telekinetic Effect is produced within the volume of a wire, then the telekinetic thrust that it creates must push forward all free electrons from this wire, thus forming an electric current.

If one considers an ordinary oscillating electric current flowing through a wire, this current must produce a pulsating magnetic field, as principles of electromagnetism make it to do. In turn when a magnetic field pulsates, practically this means that it is cyclically accelerated and decelerated in one direction, then accelerated and decelerated backward in other direction. Thus every pulsating electric current creates two balanced cyclical Telekinetic Effects, which are oriented in opposition to each other, and thus which cancel each others action. However, if we now put this wire across a constant magnetic field, then situation drastically changes. The constant magnetic field interacts with the field formed by the wire's electric current, deforming curves according to which this wire's own field pulsates. The result is that these deformed curves of pulsations, this time do not balance the acceleration and deceleration of wire's own magnetic field in both directions. Therefore in a wire which is placed across a constant magnetic field, a non-balanced Telekinetic Effect is produced which acts stronger in one direction than in the other. In turn such a non-balanced Telekinetic Effect produces a non-balanced "telekinetic thrust" which pushes free electrons mainly in one direction, thus generating a flow of current through this wire.

Exactly the above is utilised in the pyramid's inductors ( $I_1$ ) and ( $I_2$ ). These two inductors actually produce a non-balanced Telekinetic Effect, which in turn generates the electric current. The key to the operation of these field-deforming inductors lies in making them by orderly winding of copper wires around strong permanent magnets. The effect of such winding is, that the pulsating magnetic field formed by oscillating currents which flow forth and back through these inductors, are deformed in a non-balanced manner. In turn this non-balanced deformation of the wire's own field is supporting the production of a non-balanced Telekinetic Effect - see subsection H6.1. The property of such non-balanced Telekinetic Effect is that it tends to push free electrons contained in a wire mainly in one direction. The result is that the Telekinetic Effect causes the cumulative growth of the current's power, thus enabling both inductors to produce free electrical energy which is sufficient to satisfy later the pyramid's energy consumption. Of course, because the oscillatory electric currents flow through these inductors in both directions, it is desirable that the telekinetic thrust is also created in both these directions. Therefore, there is a need to use two such inductors, namely ( $I_1$ ) and ( $I_2$ ), each one of them winded in an opposite direction, so that each one of them is producing the Telekinetic Effect in a different half-cycle of the current's oscillations.

**#3. Resonator (R).** It is a name assigned to an electronic circuit, which from the point of view of electronic circuitry, is simply an "oscillatory circuit". But in the telekinetic battery this resonator must additionally fulfil the primary requirement that it is a "reciprocal" oscillatory circuit. As every other oscillatory circuit, in the pyramid described here the resonator (R) is combined from electrical inductances and capacitances appropriate connected to each other. Inductance is provided by two inductors ( $I_1$ ) and ( $I_2$ ). In turn electrical capacitance is provided by the vacuum capacitor. This vacuum capacitor is formed by two plates placed close to each other. The first of these two plates is made up from such components of the telepathic pyramid as aluminium disks ( $D_1, D_2, \dots D_4$ ). In turn the second plate is made up from framework (F) connected with conical coil (C). In addition to the inductors and the vacuum capacitor, the inductor (R) includes also tube (T), and is connected with a quartz crystal (Q), both of which supply it with the necessary ability to "reciprocate".

The main function of the resonator is to form a sequence of steady electrical oscillations which bounce forth and back within the pyramid's circuitry, in both directions passing through inductors ( $I_1$ ) and ( $I_2$ ). These steady oscillations are characterised with the oscillatory flow of electric charges from the disks (D), via inductors ( $I_1$ ) and ( $I_2$ ), to framework



(F) and coil (C), and then back from framework (F) and coil (C), via inductors ( $I_1$ ) and ( $I_2$ ), to disks (D). In turn such cyclical flow of electric charges, back and forth, enables the telekinetic generation of electricity in inductors ( $I_1$ ) and ( $I_2$ ).

#4. **Tube (T)** - in Mrs Daniela Giordano's descriptions called **phial**. It is a vacuumed glass ampoule filled up half with salt, half with mercury. The more complete description how to make this tube is provided in subsection K2.6.2.

The main function of the tube (T) is to provide the "resonator" (R) with an extremely important electronic property, which (the property) is absolutely necessary to make this resonator "reciprocal". This property in subsection LA2.4 was described as the ability to self-initiate the oscillations. As this was already explained in subsection LA2.4, the "reciprocal" oscillatory circuit used in a telekinetic battery must be able to self-initiate regular oscillations each time it is supplied with energy at a required level, even if parameters of this energy each time are different. For example circuits used in electronic watches are reciprocal because they always start regular oscillations each time someone supplies a battery into these watches, even if this battery is half-dead. Also old railway steam engines were reciprocal because they begin to produce oscillations of their pistons and motion of their wheels each time someone supplied them with steam, even if this steam each time had slightly different pressure. But swings in our parks, and combustion engines in our cars, lose their capability to be reciprocal, because they are not able to start their oscillations without initiating them with energy impulses that have appropriate parameters.

The theory behind the telekinetic battery, outlined here in subsection LA2.4, states that in order to make this device capable to self-initiate its oscillations, it needs to contain a number of oscillation-producing components, which are connected together in parallel, and which are mutually shifted in phase. In case of the telepathic pyramid described here, this condition is fulfilled by the tube (T). This tube contains thousands of salt crystals, and also contains mercury which electrically connects these crystals in parallel. Each crystal is a miniature piezoelectric oscillations generator, which feeds the pyramid circuit with its own oscillations. Electrical axes of all these countless individual crystals are oriented at random, in a different direction. Therefore the oscillations that each one of them is producing, are mutually shifted in phase, in the same manner as oscillations of two pistons in a locomotive were shifted. So the final outcome of their combined action is that they supply the pyramid with the capability to self-initiate the oscillations. Furthermore, because the pyramid's resultant oscillations are actually a combination of individual oscillations of these countless crystals, the tube (T) additionally causes that the pyramid's oscillations have a countless number of degrees of freedom, as stated in subsection LA2.4.

#5. A **capacitor**. It is a device in which the energy generated by the telekinetic battery is finally accumulated. In the telepathic pyramid this capacitor is formed between aluminium disks (D) and the coil (C).

\* \* \*

The operation of the telepathic pyramid as a telekinetic battery is as follows - see the diagram from Figure K1. The telepathic resonance chamber formed through appropriately selected and shaped pyramid's cavity, is choosing from the chaos of all telepathic vibrations only these vibrations the frequency of which coincides with the own frequency of the quartz crystal (Q). These chosen telepathic vibrations are then focused by disks (D) on crystal (Q). The action of these vibrations is instigating the crystal (Q) in the state of resonance. Thus the crystal (Q) vibrates violently. The piezoelectric effect which this crystal (Q) is able to form, transforms these violent vibrations of the crystal (Q), into series of electric pulses. The resonator (R) utilises the special capability called here the "reciprocation", which is provided by the tube (T), to turn these series of pulses into regular electric oscillations. The current of these oscillations flows initially forth, from the disks (D) which constitute one plate of a vacuum capacitor, through both inductors ( $I_1$ ) and ( $I_2$ ), to coil (C) and framework (F) which constitute the second plate of a vacuum capacitor. Then the same current of these oscillations flows back, then forth, etc. In normal circumstances the internal electrical resistance of this circuit

would cause that the current's flow would never exceed the value detectable by our instruments. But in case of the telepathic pyramid, it flows through inductors ( $I_1$ ) and ( $I_2$ ), the unique property of which is that they produce a non-balanced Telekinetic Effect, which increases the flow of current. This non-balanced Telekinetic Effect one could liken to a series of slight pushes that someone adds in correct moments to an already moving swing, thus gradually increasing its kinetic energy. In the final effect, the telekinetic vibrations that are initiated by the quartz pulser (Q) and transformed by quartz into electric pulses, are then developed and uniformed by the resonator (R), increased and energetised by inductors ( $I_1$ ) and ( $I_2$ ), to produce a powerful electric current which supplies the whole pyramid in the required energy. In special circumstances explained in subsection LA2.4.1, the electrical energy produced by this pyramid can also be utilised for industrial purposes, for supplying in free energy various external devices.

The result of the operation of telekinetic battery described in this subsection is that it produces an alternating electric current (AC). Because the pulses of this current are so deformed that it produces a Telekinetic Effect, it is not a typical AC current, but a special one (telekinetically active). If used for domestic or industrial purposes, such a telekinetically active current will turn to have various special properties, for example it will develop health - as it generates the same Telekinetic Effects which healers are providing during healing sessions, it also will facilitate telepathy, increase ESP potentials, etc. Therefore the device described here can work as a very special generator of alternating electricity. Because of this capability, the pyramid described here can also be modified so that it used exclusively for the generation of healthy electricity - see subsection LA2.4.1. In such application it will constitute a very special source of free electrical energy.

Of course, the operation of the pyramid described here as a telepathyser is not dependent on the previous making this pyramid to work as a telekinetic battery. This is because the pyramid can also be successfully supplied in energy from an external source of an alternating current (AC). In such case the (AC) electricity must be supplied to both poles of the quartz crystal (Q).

At the end it should be emphasized here that the formulation of pyramid's circuitry, as explained above, imposes several important conditions on the design and operation of this device. To indicate the most important of these: it is the requirement of "harmonic parameters". This means that the frequency of the own vibrations of the quartz crystal (Q) must be equal, or harmonic, to the frequency of the electric resonator (R). In turn these two must be equal, or harmonic, to the frequency of resonance chamber formed by aluminium disks (D) and thus with the frequency of incoming telepathic wave. Of course, the pyramid must also fulfil several technical requirements as well (i.e. requirements resulting from the principle of operation that it implements). Their example can be the requirement that the shape of the quartz crystal (Q) must be such that it allows the best possible interception of the telepathic wave (it is quite possible that the best shape would be an ellipsoid small enough to pass through the hole in one of the aluminium disks).

#### K2.4.1. Modifications of the pyramid to be used as free energy devices

It is not difficult to notice that circuits of the telepathic pyramid described in the previous subsection, can easily be modified to work exclusively as a telekinetic battery. The only changes which this modification would require is to remove all elements which are not needed to make it work as such a battery (i.e. to remove all components introduced to the pyramid to make it work as a telepathyser, for example frame and coil). If such removal is carried out, then all circuits and functional components of the pyramid can be formed as laminated conductive layers glued to the flat walls of the pyramid (for example inductors could be formed as strips of copper foil winded around the pyramid's apex, the reciprocal tube could be replaced with several semiconductive oscillators which are connected in parallel to provide

more than one axis of freedom and other required properties, etc.). The resultant device would be capable of producing free electricity, while the pyramids would appear as if it is almost empty inside and has no moving parts or separate components. After such a modification, the telepathic pyramid would produce electrical power without being supplied in any fuel or any other form of energy.

Because of the possibility of such modification, the pyramids similar to one described here, which will be very simple in manufacturing and very handy in use, in not-to-distant future may become the primary source of electrical power used in every home. Today's powerhouses, powerlines, and home mains, may become completely obsolete by these extraordinary pyramids.

As it is noticeable from the today's observations of UFOs, our cosmic occupants have already, and commonly use, this kind of telekinetic batteries shaped as laminated pyramids empty inside. As some informers claim, this kind of pyramids is even a standard equipment of every cosmic spy and saboteur that our cosmic parasites place on Earth for a longer period of time. They are to supply these UFO-nauts in required electrical power, and also make independent the operation of their devices from earthly supply of energy. Because of the distinct shape of this device (namely a metallicity laminated pyramid which is empty inside), and because it supplies the required amount of electrical energy, this device is very easy to be noticed and remembered by people who are taken on decks of UFOs.

Someone who wished to appear under the pseudonym "Richard Williams" - i.e. one of the first aware UFO abductees which I personally know and investigated in New Zealand, in fact did see this device on a UFO deck, and reported to me this sighting. Here is how he described to me a pyramid which he not only seen in operation, but also took to his hands, dismantled, and thoroughly examined:

"I asked my host {UFO-naut} how they satisfy their energy consumption. Instead of answer, he demonstrated to me a device which he described as their standard electricity generator. The device had a shape of a small pyramid. It had a square base of the side dimension around 550 mm. It was made of a material that looked as a plate around 7 mm thick, the composition of which reminded me our present laminates. This pyramid weighted around 3 kilograms. The host took it to his hands and demonstrated to me that its base plate can easily be disconnected. After this plate was taken off, the pyramids showed its interior. With a surprise I noticed that it was completely empty inside. The pyramid was shiny on outside, while inside it was covered with a kind of gold foil. Its surfaces were looking as if covered with a kind of plexiglass. However, after being taken in hand, these surfaces felt as if they were made of glass (both, on the inside, and outside). According to the information of my host, the pyramid which he demonstrated to me produced around 2 kW of AC electricity at 230 Volts, 50 Hz. It worked only after the base plate was put back on its place. The electrical current that it produced was drawn from an ordinary wall socket, exactly the same type as we use in our homes {in New Zealand}. The socket was mounted in the centre of one of pyramid's four walls. My host demonstrated to me the operation of this pyramid. He plugged in to its socket an ordinary vacuum cleaner, of a type that today we use in New Zealand. I checked the operation of this vacuum cleaner by switching it on and off, and also by trying use it on the floor of the UFO. It worked perfectly, showing a powerful suction, while it was supplied with energy from this small pyramid, which not only that was moving with it on the floor, but also was empty inside. The operation of this pyramid and its electrical output seemingly was not dependent on the location nor orientation of the pyramid. My host recommended that our scientists should concentrate on the development of such device, because it would free Earth from all present problems, such as pollution, over-exploitation of resources, etc. Simultaneously our research on this device would lift our science on the higher level of awareness. But, he warned that there will be a lot of opposition against introduction of such devices, as the energy that they produce is for free and cannot be taxed. In turn taxes are foundations of almost every political system which presently controls human societies. However, in spite of this encouragement, the host has not tell me any clue as to what is the

principle employed in the operation of this device, nor in which direction our searches for solution should go."

The possibility of constructing telekinetic batteries that would provide our civilization with unlimited amount of free energy, is an issue in a significant number of meeting with UFO-nauts. Other example of mentioning this topic is contained on page 75 of the book **[1K2.4.1]** by Timothy Good, "Alien Liaison", Arrow Books Limited (20 Vauxhall Bridge Road, London SW1V 2SA), 1992, ISBN 0-09-985920-3. This book quotes an UFO-naut who to a shocked expert in paediatrics and anaesthesia from "Hospital del Ferrocarril del Pacifico in Guadalajara" in Mexico told as follows:

"It is necessary for you to find another energy source, and it is very easy. For that which you call electricity is an eternal energy ... it is free. It is possible to get tremendous energy if you know how to dissociate electrons, for in this way you can have the free energy you need, without contamination or pollution, and this is what we use to travel space ...".

### K2.5. The operation of the pyramid as a telepathyser

In spite that the pyramid's functioning as a telekinetic battery was explained first, this device is firstly and mainly the analog telepathyser which works in a duplex mode. This is because its main purpose is to superimpose on thoughts of the user someone else's thoughts intercepted from the telepathic wave that passes by, and also simultaneously to emit into space the telepathic wave which is modulated with own thoughts of the user. Although the energy for such operation is supplied from the telekinetic battery described before, still this energy could be supplied from another source - if for some reason the telekinetic battery is unable to work properly, or is temporally out of action.

Because of such purpose of the telepathic pyramid, this subsection is to explain how the pyramid fulfils its tasks. The explanations are to begin from revealing how this device works as a **transmitting telepathyser**. This means that our first goal is to explain: (1) how this pyramid intercepts thoughts of the user, (2) how it imposes these thoughts onto the telepathic wave that it produces (i.e. how it modulates the telepathic wave with thoughts of the user), and (3) how it emits into space this telepathic wave modulated with thoughts of the user.

The easiest part of this explanation is to make clear how the telepathic pyramids emits the telepathic wave. This is because subsection H7.1 provided already the background theory which indicates how telepathic waves can be produced and emitted. After this theory is applied to the pyramid discussed here, it turns out that the key to understanding the emission of telepathic waves is the oscillation of the electric current through conical coil (C). This oscillating current is formed by the resonator (R) described previously. It oscillates (i.e. flows "from" and "to") the conical coil (C), thus generating in this coil pulses of magnetic field. In turn in the counter-world these pulses of magnetic field are inducing vibrations of counter-matter which is propagating through space as telepathic waves. Because the oscillating current formed by the resonator has a strictly defined frequency, also the telepathic wave emitted into space has the same constant frequency.

The more tricky part is to understand how thoughts of the user modulate this telepathic wave emitted into space from the pyramid. In order to make easier this understanding, we need to start from reminding ourselves a few facts which are well known amongst people that experiment with Kirlian photography, human aura, biofield, acupuncture, etc., but which still remain unknown for majority of institutional scientists and ordinary people. One of these unknown facts is the objective existence of human aura and human biofield. Although many people, including the majority of scientists, still doubt the existence of this subtle vibratory glow and energy field that surround human body and are called "human aura" and "human biofield", actually the existence of these phenomena is objectively confirmed. For example already special photographic equipment is produced, which allows to capture in colours the vibratory human aura. In turn vibratory human biofield can be detected not only with the equipment that

acupuncturists use for locating the acupuncture spots, but a part of it can be made visual with the use of Kirlian photography, while the another part is utilised in devices popularly called "lie detectors".

Although the nature of these subtle vibratory glow and field (i.e. human aura and biofield), as yet is not investigated thoroughly enough to tell everything about them, it is already well established that all their properties are strongly dependent on the thoughts that a given person has at a given moment of time. For example on colour photographs of human aura, the colour, shape, and size of this aura strongly depends on what this person is thinking about, in the moment of time when a given photograph was taken, and can drastically change within split of second. Also it is established that when a person opens hands, between palms of his/her hands this aura creates a kind of closed circuit. Therefore, if one puts a pyramid discussed here between both hands of a user, through the transparent walls of this pyramid the subtle vibratory glow penetrates to the interior of the device. This vibratory glow is a carrier of thoughts of the user. The only thing which is now needed, is a device which intercepts vibrations of this faint glow, and superimposes them onto (or modulates with them) electrical oscillations which are flowing through circuitry of this device. So a device or component is needed, which would perform the function of a microphone, but instead of sound waves which would transform the subtle optical vibrations into electric impulses.

Such a device, which is capable to intercept even the most subtle optical vibrations and to turn them into electrical impulses, is something that was invented a long ago and that carries the general name of "optical interference cavity". In the pyramid described here such a cavity is formed by the tube (T) together with four cascades of mirrors (M) directed onto it. The substance contained in the tube (T), namely the vacuumed mixture of salt and mercury, produces light. This light is deflected from the cascades of mirrors back onto the tube (T) forming a special kind of interference cavity which is occupied by the standing optical wave. Such cavity is already utilised in optics, in operation of lasers, and in so-called "masers". Its property is that every outside optical signal which is introduced into it, is causing a cumulative disturbance in the standing optical wave that prevails in this cavity, thus drastically changing the parameters of the current which flows through the tube (T). This means that the flow of current through the tube (T) is strongly dependent on the momentary changes in the faint glow (i.e. user's aura) that penetrates through this interference cavity, similarly as in present microphones the flow of current is strongly dependent on the momentary changes in sound vibrations that are passing through this microphone. The result of such operation of the interference cavity from our pyramid is that the current which passes through the tube (T) is modified (modulated) with thoughts of the user. In turn such modulating the oscillations from the pyramid's circuitry will cause that in space is emitted not just an ordinary telepathic wave, but the telepathic wave modulated with the user's thoughts.

The above descriptions indicate that during the operation of the telepathic pyramid the tube (T) should flicker with vibratory light which is a reflection of the user's thoughts and emotions. Therefore the tube (T) is an excellent indicator which tells about the correct operation of this device. Furthermore, the above descriptions indicate why in the final (operational) versions of this pyramid the material for walls must be milky. The point is that such milky material is decreasing the influence of noise optical signals originating from the environment, while transparent walls allow to enter easily these noise signals and to affect the interference cavity.

Now we analyse how the telepathic pyramid operates as a **receiving telepathyser**. We begin from realizing that in the counter-world millions and millions of different telepathic waves are propagating themselves in all directions. Therefore the pyramid's design must allow to filter through all these countless waves, and select only these waves which most probably carry the telepathic thoughts from the other user. The function of such preliminary "filter", which allows the pyramid to be entered only by the right waves, is a hole in one of four aluminium disks (D). As we realize from subsection K2.4, these four aluminium disks form a telepathic resonance cavity, in which the hole is performing the function of a "gate". This "gate"

is letting inside only specific spectrum of telepathic waves, which includes waves to be processed. Therefore the diameter "d" of this hole (gates) is quite important. After being initially preselected, the telepathic waves enter the pyramid through the hole and propagate within the pyramid's interior in a manner identical to that displayed by sea waves which entered through a hole in a pier or a breakwater (the only difference is that the telepathic waves spread in a shape of a sphere - instead of a circle as sea waves do). The sphere of these telepathic waves is then deflected simultaneously by the remaining three (out of four) aluminium disks that form the "telepathic resonance cavity". After the deflection these waves meet again in a special "telepathic focal point" of the "aluminium pyramid", which lies approximately at the crossing of the deflection axes of three remaining aluminium disks, with the symmetry axis of the hole (which simultaneously should be the symmetry axis of the aluminium disk which holds this hole). Note, however, that this "telepathic focal point" of the "telepathic resonance cavity" in the pyramid discussed here, is slightly dislocated from the central (vertical) axis of the pyramid, is asymmetrical in location, and also it does not coincide with the focal point of the whole pyramid. The dislocation and asymmetry of this "telepathic focal point" is caused by several factors, the most important of which include: (1) the fact that telepathic waves enter the pyramid by only one hole, thus they are asymmetrical from the point of entry, and (2) the fact that the location of this point is defined by the location of aluminium disks (D) on the pyramid's walls (and also by dimensions of these disks). In that "telepathic focal point" the unique telepathic wave is created which could be described as a "standing wave". Its property is that it creates an oscillatory sequence of compression and decompression of counter-matter. Note that all other telepathic waves which cross through interior of the pyramid are only passing through this "focal point" and thus they fail to create this unique sequence of compressions and decompression of counter-matter. Thus they are eliminated from further influence on process of pyramid's operation. Now, if the appropriately designed quartz crystal (Q) (e.g. a crystal shaped as a sphere or as an "ellipsoid") is placed in this "telepathic focal point", then the counter-material duplicate of this crystal is subjected to these oscillating compressions and decompression of counter-matter. Because there are oscillating telepathic waves with various frequencies, only these waves are significant, the frequency of which is harmonic to the frequency of own vibrations of this counter-material duplicate of the quartz crystal (Q). Therefore the own frequency of the quartz crystal (Q) is the second "fine tuning" filter, which from a number of telepathic waves that enter the pyramid, selects only this one which carries the thoughts of the other user. These selected oscillating compressions and decompression of counter-matter, which act on the counter-material duplicate of the quartz crystal (Q), cause this duplicate to fall in resonance with the incoming telepathic wave. This resonance causes that the duplicate is vibrating violently, in fact of the incoming telepathic wave (note that because in the counter-world there is no inertia, this resonance is very sensitive, and truly reflects all thoughts that are superimposed (modulated) onto these incoming telepathic waves). Of course, because of the gravity connection between the material part of the crystal and its counter-material duplicate, the violent vibrations of the duplicate are transferred to our world and cause the material part of the crystal to also vibrate with the same frequency. In turn the vibrations of the material part of quartz crystal (Q), by releasing the "piezoelectric effect" in the crystal, produce vibratory electric current which is supplied to the pyramid's circuitry. These vibrating electric currents are later amplified by the pyramids components, as this was explained in subsection K2.4, and then passed to the tube (T) which starts to emit strong vibratory glow, the pulses of which are reflecting exactly the thoughts of the other user that are intercepted by the pyramid. All what is now needed is a kind of "speaker" which would put these incoming thoughts directly into the mind of the receiving user.

The function of such unique "telepathic speaker" is performed by the same interference cavity formed by the combination of tube (T) and cascade of mirrors (M). Therefore, in the telepathyser described here, this interference cavity performs simultaneously two different functions, i.e. the function of a "telepathic microphone" and the function of a "telepathic

speaker". Because such a unique device which is both, a microphone and a speaker, so-far has no distinct name, it would be a good idea to assign to it some kind of short and convenient name, for example an "inouter". In case of the telepathic pyramid, for the incoming thought messages this "inouter" releases the mechanism which is an exact reversal of its action as a telepathic microphone. Namely it superimposes on the user's subtle glow (i.e. on his/her aura and biofield) the vibrations which are the exact reflections of the thoughts received from the other user. In turn these vibrations of the aura and biofield, by the user are perceived as "someone else's thoughts superimposed on his/her own thoughts".

From the above operation of the pyramid as a telepathyser, various operational requirements can also be derived. Probably the most important of these requirements is that the cascades of mirrors (M) together with the tube (T) must form an effective optical interference cavity. In turn for them to work as an effective interference cavity, various technical conditions must be met. For example mirrors (M) must point exactly at the tube (T), tube (T) must face mirrors (M) and be turned to them with the largest surface, etc. Other technical requirements which become obvious from the descriptions above, include: the size of the quartz crystal (Q) - it must be small enough to perform the function of a reversible element (i.e. a large crystal could NOT be deformed with weak electric currents generated by the pyramid), the location of the quartz crystal (Q) - which needs to be positioned in the "telepathic focal point" (to not be confused with the focal point of the whole pyramid), the shape of quartz crystal (Q) - which must facilitate the interception of telepathic waves (thus flat crystals used in electronics are not the best for this purpose), the frequency of oscillations of the quartz crystal (Q) (i.e. both pyramids which communicate with each other must have exactly the same frequencies of their crystals), the deflective qualities of inner surfaces in disks (these surfaces should be as flat and as polished as possible), mutual distances and angles of disks (D) - these distances and angles should be as identical as possible, etc.

The above operational requirements should additionally become supplemented with the functional requirements. For example the most important of these requirements states that the frequencies of telepathic waves emitted and received by both pyramids which communicate with each other must be mutually tuned. This means that the frequency which one pyramid emits, must coincide with the frequency which other pyramid is receiving and vice versa. In turn such tuning of frequencies introduces several further technical conditions, for example that the working parameters of both pyramids are not changing with time (i.e. their waves are not creeping away). This explains why there is vacuum necessary inside of pyramids, as for example air capacitors change significantly their capacitance with the air pressure, with humidity, etc. - the phenomenon which is not experienced by vacuum capacitors. In turn every, even the slightest, change in capacitance of the pyramid's capacitor, causes the significant change in frequency of the telepathic wave that this pyramids emits.

At the end of this explanations, it should be added that when the pyramid described here allows us to learn more about the technically transmitted telepathic messages, then also the oscillatory chamber described in subsection A2 and shown in Figure A1 can be transformed into a very powerful telepathic transmitter and receiver. This is because this oscillatory chamber also creates very powerful telepathic waves, which are capable of reaching even the most distant corners of our universe.

#### K2.6. Procedure of pyramid's completion

Everyone who feel that is capable of contributing something to the completion of the pyramid described here, is warmly invited and vigorously recommended, to take part in this ambitious, patriotic, and non-conventional development.

Our current situation with completion of this pyramid can be compared to a situation of a student of electronics, who knows already the principles involved in the operation of a radio, and who knows and have available all components which constitute a radio, but who still

needs to go through the procedure of putting this device together. The basic problem which is still remaining for us to solve, is how to put these parts together, and how to mutually tune them in, so that they start to work. Of course, because at this stage we really do not know how to tune these parts so that they start to work, most probably it will take some time before a correct configuration is found, and before a working prototype of this pyramid is ready for use. This is especially true if we take under consideration that our cosmic parasites will do everything in their power to make impossible our completion of this device. So using their methods which are undetectable to humans, they will pile countless obstacles on paths of those who attempt to build the pyramid, they will make such developers constantly preoccupied with various other urgent matters, they will instigate various personal and occupational problems, induce sicknesses, and in cases when such developers keep their achievements in secrecy and are very close to a success - they may even assassinate them in order to make these secrets impossible to learn by other people. Therefore the best approach we can adopt in the completion of this pyramid, is (1) to involve in the development as many builders as possible (the more the better, as our cosmic parasites cannot afford to assign invisible guards to each one of them), and (2) to continually exchange the information, so that whatever one finds out, immediately the rest of us also knows, and thus our parasite is unable to suppress the total progress by suppressing a single developer. If every single person amongst developers, tests properly one solution or one component, and tells others about the results, then sooner or later the correct configuration and parameters for a whole pyramid must be found.

The procedure which is recommended to be applied in the development of the telepathic pyramid, as well as summary of everything that was discovered about this device until now, are presented in subsections that follow. The development procedure which is recommended in the next subsection is called an "iteration method" or a "method of small steps". So far it is the most effective method used in inventive activities. It already proved itself in action on countless inventions. The main principle of this method is based on the focusing on one problem at a time (hence "small steps"). Thus the completion procedure is a series of repetitions (or iterations), in which each repetition solves a single problem and adds an additional progress to the bank of previous achievements. Thus if a sufficient number of such repetitions are carried out, the working prototype finally must be build. Here follows the description of this method.

#### K2.6.1. The recommended procedure of pyramid's completion

These very special people, who are gifted towards building various devices - would these be electronic, electrical, or simply mechanical, who have inquisitive minds, creativity of inventors, and inclinations for experimenting, who have enough courage to not be afraid that the participation in the pyramid's completion may endanger their lives introducing a risk of alien assassination - as explained in subsection W4, who would like to add their own contribution to an enormous leap forward for the whole of our civilisation, and also who do not mind that 10% from the obviously huge profits that the completion of this device one day may bring to its developer are to be contributed towards the developmental research on similar avantgarde devices - as described in subsection AB2, are invited and encouraged to take their parts in the completion of this special device. Below is described the completion procedure, which in my opinion holds the highest chance of the final success. This procedure is combined from the sequence of steps, through many of which I went myself in my to date efforts to make this pyramid happen. This sequence needs later to be repeated as many times as it takes (hence the name for this procedure: "iteration method", or "method of small steps"). Each such repetition is to solve a single problem and to create the bank of practical experience which with the elapse of time must translate into the final success.



The iteration method can be arranged and completed according to several different scenarios (by experts usually called "developmental models"). The simplest scenario could be called "component-after-component". It depends on subdividing the final device (i.e. the telepathic pyramid) into individual components or parts, and then preparing one component after the other, until the whole pyramid is ready. Because this method is simplest amongst all possible approaches to the completion of this pyramid, and also because it is the most effective in case of a first project, it will be explained here. Here are steps to be taken during the completion of this procedure.

**#1. Completing the copper frame.** To accomplish this we need two pieces of thick copper wire having the diameter of around  $\phi=5$  mm. The length of each of these two pieces should equal to around  $l=1.18$  meter. Each of these two pieces we need to bend in such a manner, that after they are joined together, they create edges of an isometric pyramid - as this is described in subsection K2.2. Then in the points where these two pieces touch each other we need to solder, braze, or weld them (preferably braze). If we bend both pieces skillfully, there are going to be only 5 soldering points. After this, the frame "F" of the pyramid is ready.

When we are completing this frame, the exact dimensions may rise some ambiguities. According to subsection K2.2, the final isometric pyramid should be 27.5 cm in height, and it should have square base of the side dimension also equal to 27.5 cm. So what should be the final dimensions of the copper frame? The answer to this question is provided in subsection K2.5. It explains that the dimensions which have the highest significance to the operation of this pyramid are those determined by the location of inner surfaces of the aluminium disks "D". Thus, according to this answer, the dimensions of the copper frame should be so selected that the imaginary planes that are tangential to the outer surfaces of this frame should form a hypothetical isometric pyramid, the height of which is equal to 27.5 cm, and the square base of which has the side dimension equal to 27.5 cm.

**#2. Preparing the pyramid's base.** In this step we need to cut out a kind of square plate, which is going to serve as a base, or a floor, for our pyramid. To this base we will later attach all remaining components of the pyramid (with the exception of casing "P" and aluminium disks "D"). The simplest way of making this base is to cut it out from a wooden plank, as it then allows to use ordinary screws for fastening. The more advanced solution would use the same material as it is used for the casing of the pyramid (e.g. plexiglass), although then the builder would need to have a clear concept how he/she is going to attach the remaining components to this base. The pyramid's base should be formed into a square plate, the side dimension "a" of which is slightly bigger than the frame (possibly equal to the outer dimension of the pyramid's casing "P"), e.g.  $a=29$  cm. After the base is ready, we need to attach the frame "F" to it. If the base is made of a wooden plank, then this attaching may depend on simple use of screws. Though, we need to make sure that the frame "F", as well as all other components attached to the base, are easily detachable, because later during the process of assembly and research we are going to attach them and detach, again and again, practically countless number of times.

**#3. Assembling the pyramid's casing.** The casing "P" is a kind of "hat" or "coat" which is put over the pyramid's frame "F". By clinging to the pyramid's base, this casing should form with the base a kind of hermetic chamber which would be able to keep vacuum in the pyramid's interior. The casing is glued together from four isosceles triangles cut from a plexiglass plate - as it is described in subsection K2.2. It should be noted that the exact dimensions of these triangles should be previously determined/measured empirically, so that they form a pyramidal shape which is well adjusted to the frame "F", and also which tightly clings to the base without leaving any gap.

Similarly as it was with the copper frame "F", also the precise dimensions of the casing can induce various ambiguities. But according to the subsection K2.5, if we assume that the thickness of aluminium plate that is used for preparing the disks "D" is negligible in comparison with the precision the whole pyramid is constructed, then the dimensions of the casing "P" should be so selected that after the casing is joined with the pyramid's base the

inner surfaces of this casing and base should form an isometric pyramid which would have the height 27.5 cm and the square base of the side dimension equal to 27.5 cm.

**#4. Cutting and assembling the aluminium disks.** After the casing "P" is glued together, we have the opportunity to determine empirically what is the greatest diameter of aluminium disks "D" which can be attached to the internal surfaces of this casing without them touching the frame "F". After this diameter is determined, we cut four disks from aluminium plate or foil, in the centre of one of them we drill a hole of around  $d=4$  mm in diameter, we attach a conductive wire to each of the disks - which (the wire) is going to join this disk with other disks and with one of inductors "I", we make sure that the inner surfaces of the disks are smooth and shiny, and finally we glue these disks to the internal walls of the casing "P". If we then place the casing with these disks over the frame "F", there should be no electrical connection (contact) between the disks and this frame.

**#5. Shaping and assembling the spiral copper coil.** Now we wind seven turns of spiral coil "C", using for this purpose the same copper wire which we used for the frame "F". The shape and dimensions of the coil we select in such a manner that after it is assembled inside of the pyramid, none of the coil turns is going to touch (contact) any of the aluminium disks "D", but also that the coil is as close to the disks as feasible without a danger of accidental contact in the result of movements or vibrations. After the shaping, the coil should stay in the pyramid all by itself, from the top hold due to the inserting its tip into the hole drilled inside of the frame's apex (with this frame "F" the coil "C" must be electrically connected), while in the bottom being clamped with some collars which are assembled to the pyramid's base.

**#6. Making and assembling the tube.** From subsections K2.2, K2.6.2 (and also from chapter C of treatise [7/2]) we select all information which instruct us how to prepare and attach the tube "T". Then we manufacture the tube "T" according to these instructions and assemble it at the centre of the pyramid's base.

**#7. Making and assembling the inductors with magnets.** Again we analyse what about these inductors "I<sub>1</sub>" and "I<sub>2</sub>" is stated in subsections K2.2, K2.6.2, and K2.4, and then: (a) we prepare these inductors according to instructions from these subsections, (b) we mark which one of them is thrusting forward and which is thrusting backward, (c) we assemble them not far from the tube, and (d) we electrically connect them to the remaining components of the pyramid according to the diagram from Figure K1.

**#8. Preparing and assembling the quartz crystal.** We start from reading some books which describe the piezoelectric effect or industrial quartz. We gather from them the initial information about how we should prepare our quartz crystal. Then we acquire a quartz crystal the shape of which is possibly close to a sphere or ellipsoid, with the greatest dimension not exceeding 4 mm. We provide this crystal "Q" with electrodes, and with the use of wires which are to connect it with the remaining components of the pyramid we suspend it in the "telepathic focal point" of the aluminium pyramid (see descriptions of this point contained in subsections K2.2, K2.6.2, K2.4, and K2.5).

**#9. Preparing and assembling cascades of mirrors.** We read what about these mirrors "M" is stated in subsections K2.2, K2.6.2, and K2.5. Then we prepare these cascades according to these descriptions and attach them to the pyramid's base.

**#10. Checking the prototype, the initial measurements, and specification recording.** After the above steps are completed we have assembled the complete prototype of our pyramid. But before we subject this prototype to any research, we firstly need to conduct a kind of "quality check", i.e. we need to verify if everything in it is completed and connected in the required manner. For this, for example all electrical connections of the prototype need to be compared to the diagram from Figure K1. In turn the positions, attributes, and polarities of every component needs to be compared to the descriptions from chapter C of treatise [7/2], and also from subsections K2.2, K2.6.2, K2.4, and K2.5. Furthermore, we need to determine (and thoroughly record it into our logbook) all technical details of our prototype, especially such as resistances, directions of winding and polarities (e.g. for inductors and for

the tube), number of coils, way of connecting (e.g. which inductor and which side with what), dimensions, frequencies, etc.

**#11. Research and tests on the prototype.** The goal of this step is to verify the functioning of the prototype we just assembled, reasoning on this basis about various construction and completion errors we committed this time, and then working out the further improvements. The correct planning and skilful conducting of this research, as well as deriving from it the constructive conclusions, is the most critical step in our developmental procedure, which determines the final success in the completion of the telepathic pyramid. The description of some guidelines for the completion of this step is provided in subsection K2.6.2 of this monograph. Generally speaking, this step should concentrate on determining, amongst others, the following matters:

(a) Whether the location and the piezoelectric parameters of the quartz crystal are correct (e.g. the correctness of the location of this crystal, exactly in the telepathic focal point of the aluminium pyramid, can be determined through the gradual change of position of this crystal and analysing the electronic signal that it produces).

(b) Whether the polarity of inductors and the value of their telekinetic thrust are adequate (e.g. in order to verify this, the developer may experiment with different polarities of inductors, or with inductors wound from a different number of coils and on different permanent magnets).

(c) Whether the electrical connections between the pyramid's components are correct (e.g. for checking these one may temporarily change the way wirings are connected, and then determine what influence such a change has on the impulses induced in the pyramid's circuitry).

(d) Whether the resonance frequency of the electronic circuitry (namely the resonator) is well tuned to the working parameters of the pyramid (e.g. for this one may direct forced electronic impulses of several different frequencies to the both terminals of the quartz crystal, and then see what is the reponse of the pyramid's resonator).

(e) What parameters of the current induced in the pyramid are needed to cause the glow of the tube "T", and how to make the pyramid to produce a current with such parameters (e.g. the developer may change the telekinetic thrust formed by inductors, alter the resistance of shunt coils over the tube, change the resistance of the tube, etc.).

In our experiments we should give preferences to quantitative research and measurements, i.e. to those directed towards not only determining that something has happened or appeared, but also how much of it could be detected, what is its direction and characteristics, what is the source, how we can modify (e.g. intensify) it, what conditions must occur for it to appear, etc. It is also extremely vital that in our logbook we write down the description of experiments and tests that we completed, and the description of results that we received. Our research we need to direct in such a manner that they lead us to drawing useful conclusions which in turn allow us to improve gradually the construction of our pyramid, so that in the final effect we make this device operational.

**#12. Securing the knowledge just learned from being lost.** Each attempt at researching a new prototype leads to a number of findings which represent the practical knowledge gained in a given iteration of pyramid's completion. This knowledge should be secured from being lost. The first principle of such securing is to write it down in our logbook. The knowledge which is not written down is likely to be lost, because of our memory limitations, because we did not purified it and presented in the form of clear conclusions, and because of many other reasons. Only the knowledge which is thoroughly recorded can be reused again during the next turn of the iteration process. After the knowledge is written down, it also should be shared with other. Knowledge which is not shared is also likely to be lost. After all, if others do not know what we accomplished, then when we are gone or changed our interests, also all that we accomplished is gone. For this reason after being written down, the conclusions from a given step should be copied and posted to someone, preferably to myself or to Mrs Daniela Giordano. (Note that in case of the pyramid described here, keeping knowledge to ourselves

is both: dangerous and pointless.) Such sharing the knowledge has also this additional advantage that it minimises the danger of alien assassination. After all, aliens may only decide to assassinate a developer, if this assassination gives them a good chance that the results accomplished by this developer are going to be lost after his/her death. But if the developer shares his/her knowledge with others, then such a loss of accomplishments is prevented.

**#13. Extending, complementing, or refreshing our knowledge.** The goal of this step is to gain additional knowledge which is necessary in order to introduce to the pyramid all these further improvements which result from our research on the previous prototype advanced according steps #1 to #10. To complete this step, it is recommended to refresh or increase our knowledge regarding the type of circuits or phenomena which in the course of our experiments turned out to be the most important for understanding and improving the prototype. It is especially recommended to read descriptions of such phenomena as: the technically induced telepathic waves, the Telekinetic Effect, principles involved in the operation of telekinetic batteries, principles involved in the operation of telepathysers. These, together with the description of the pyramid discussed here, are extensively presented in treatise [7<sub>E</sub>] and in monograph [1/3], while partially also in [1<sub>E</sub>], [8], and [6<sub>E</sub>].

**#14. Repeating the development and research procedure for further, improved prototypes of the telepathic pyramid.** The goal of these steps is the gradual removal of errors or imperfections which were detected in previous prototypes, according to the general principle of "iteration method". To complete these steps we: (a) select from steps 1 to 9 these ones which according to the results of our research, experiments, and deductions completed on the previous prototypes require redoing, (b) complete these selected steps again, thus receiving a next set of pyramid's components with different design, technology, or technical parameters, (c) we check with the descriptions from subsections K2.2, K2.4 and K2.5, if our changes are not running against the original specification or the principles utilised for the operation of this device, (d) we complete again steps 10 to 14 of this developmental procedure.

At this point it should be emphasized that the first completion of the above procedure most probably will not result in the production of an operational prototype. However, it will furnish the builder with empirical experience which should equip him/her with a better understanding of interpretations and descriptions presented in this publication, as well as in [7], [3], [6], and [1/3]. Furthermore, it should provide a higher starting point for the subsequent repetitions of this developmental procedure. This in turn should create a pool of experience and theoretical knowledge which would allow for a substantial improvement of the prototype in each subsequent repetition. Thus, at some stage of this developmental procedure, the prototype may eventually be achieved which would be capable of operating exactly as illustrated in the original disclosure. This final working prototype would be the one which is to be later duplicated in the commercial (mass) production of the pyramid discussed here.

#### K2.6.2. Subsequent goals of the procedure of pyramid's completion and ways of accomplishing them

#### K2.6.3 To-date accomplishments in the development of pyramid's technology

Since the time the first treatise [7] "Story of one pyramid" was published, until this volume was written, a wealth of practical observations and hints regarding the pyramid described here was accumulated. The purpose of this subsection is to summarise these findings and observations, so that they can be utilised practically by future builders of this device. Because in the technical and scientific development almost the same important as the information itself, is the source from which this information originates (after all this source defines how reliable the information is), together with findings presented in this subsection, also the source from which these findings originate are stated. So here is the essence of what

so-far I managed to glean about the telepathic pyramid from various sources, and what was not presented yet in any previous section of this volume.

The whole series of specific technical recommendations regarding the completion of the pyramid described here was gathered by Nicholas A. Reiter, about whom Mrs Daniela Giordano also mention in subsection C12 of treatise [7/2]. His research mainly concerned the tube (T). His observations about this component were published in the article **[1K2.6.3]** by Nicholas A. Reiter, "Analisi preliminare del concetto di applicazione della piramide" (i.e. "Preliminary Analysis of the Pyramidal Appliance Concept", 1996), which was published in the Italian monthly UFO Express (I Cavalieri di Pegaso, Via Antonio Veneziano, 120, I-90138 Palermo - Sicily, Italy), dated in December 1996, N. 136, Anno XIII - Dicembre 1996 - Mensile, pages 8 to 12. Below I summarised the most vital information contained in that article.

1. The usual dimensions of tubes (T) completed by Nicholas A. Reiter were: diameter of around 10 mm, length around 100 mm. Usually for their production a quartz glass was used, laboratory quality, of the type used for the production of test tubes. With the use of hydrogen torches, such glass is easy to melt and weld around the metal electrodes placed at both ends of the tube.

2. The static resistance of such tube, filled up with volume proportions: half salt and half mercury, measured with an ohmmeter, was around 0.2 Ohm.

3. In order for tube to glow, the salt that is used to be mixed with mercury, must be absolutely dry. The presence in this salt even small traces of water, make the glow impossible. Therefore Reiter recommends that before salt is mixed with mercury and inserted into the tube, it should be dried out, e.g. through being heated up in an oven at the temperature of around 200 °C for the duration of around 2 hours.

4. The glow of the tube should take place if the air is pumped out to the vacuum of below around 1 Torr, but before around 10 mTorr. The most effective glow is produced if the air is pumped out to the vacuum of between around 50 and 300 mTorr. The tube which is not vacuumed (i.e. which works under the environmental pressure inside) is not giving any glow and does not produce flashes. The vacuum inside is absolutely necessary to make it glow.

5. The colour with which the tube is glowing depends on the type of gas that remains inside. When this gas is the remainder of air or pure oxygen, then the tube is glowing with the pearl-white glow, like a typical fluorescent tube (although with a small greenish glare existing at surfaces of salt crystals). If the gas is a pure argon, the glow is slightly blueish. In turn pure nitrogen produces a strong white-blue glow.

6. The measurements with the Geiger meter which Reiter completed did not show any dangerous radiation being emitted from the glowing tube.

7. All experiments with tubes to-date indicate that the glow is caused by a numerous electric flashes that are simultaneously occurring in the whole volume of tube. Therefore the mechanism of these sparks is caused by piezoelectric effect.

8. The tube can be made to glow not only by supplying it with electrical energy, but also via mechanical rocking without any electricity supply (though, the glowing from such rocking is not so strong). In a case of rocking in darkness, it shows kinds of waves of lights flowing through it. A delicate rubbing it with a hand also causes the appearance of such white flashes visible in darkness.

9. The oscilloscope analyses indicate that the lightings caused by a mechanical motion (through the rocking or shaking) have random, sinusoidal course, and the length of around 2 to 5 microseconds.

10. The tube can also be filled up with mixture of mercury (Hg) and other than salt (NaCl) piezoelectric material. The practical experiments were conducted with a tube filled with a mixture of mercury (Hg) and crushed quartz stone (SiO<sub>2</sub>). Such a tube also produced glow and electromagnetic noise. But the effects that it caused were not so strong as that of tube filled up with salt.

The next source of a reliable technical information about the telepathic pyramid, is another "supply of weapon" from our cosmic allies, namely the "telekinetic

aggregate/generator" supplied to Adalbert Béla Brosan (as mentioned in subsection K2.3.1), and the more recent "clones" of this aggregate/generator, namely the devices named "Thestatica" and "Thesta-Distatica" presently held by the religious community "Methernitha" in Switzerland (address: Methernitha, CH-3517 Linden near Bern, SWITZERLAND). This aggregate/generator also contains key components of the pyramid described here, including the tube (T), inductors ( $I_1$ ) and ( $I_2$ ), and the resonator (R) from the telekinetic battery. These components are clearly visible at the colour video about Thesta-Distatica that is distributed by Methernitha. As I mentioned in subsection K2.3.1, I studied this telekinetic generator quite thoroughly, and these studies allowed me to derive interesting conclusions. Some of the conclusions from these studies are already incorporated into the previous descriptions. Here is the essence of what I have not had the opportunity to state elsewhere as yet:

11. The tube (T) along its external surface most probably has a sparsely wound coil of electrically resistant wire (i.e. a wire similar to that used for the production of spirals in electric heaters). The static electrical resistance of that wire should be higher from the static electrical resistance of the tube itself. In turn subsequent coils of that wire should be distant from each other by around 1 mm, so that light can easily pass between these coils. Although the existence of this coil is not indicated in the descriptions from chapter C of treatise [7/2], Mrs Daniela Giordano intuitively perceived its necessity, and included it into her first prototype of the pyramid. Photographs of telekinetic aggregates/generators held by the Methernitha religious community show this coil quite clearly. In my opinion this coil has two basic functions to perform. Firstly it produces a magnetic field which extends along the axis of the tube (T) and thus acts on the mixture of soil and mercury. This field most probably adds isotropy to the tube's internal resistance, thus transforming it into a kind of inertial electric impulse rectifier. Secondly this high-resistance coil connects together both tube's electrodes, thus creating a kind of electric shunt or fuse, which unloads the excess of electricity in case the tube is overloaded.

12. The difference between both field-deforming inductors, namely between the first ( $I_1$ ) which is telekinetically thrusting forward, and the second ( $I_2$ ) which is telekinetically thrusting backward, is very difficult to recognise by a beginner, and therefore can be a source of errors in connection of pyramid's electrical wiring. This is because this difference boils down to the direction of wire winding in relation to the magnets' polarities. Therefore, if one uses bar magnets, such as these used in the Mrs Daniela Giordano's prototypes, the effect can be that both inductors ( $I_1$ ) and ( $I_2$ ) are wound in the same direction, so both of them would telekinetically thrust in the same direction. As a result, the electricity generated in these inductors would not oscillate in symmetrical manner, i.e. it would try to pulsate instead of oscillating. But in the Methernitha's devices the problem of recognition of the thrusts direction is solved in a very reliable manner which is worth explaining here. This is because Methernitha devices use horse-shoe shaped magnets instead of bar shaped ones. Each arm of these horse-shoes magnets has a separate coil, the wire of which is wound in an opposite direction. The effect is that a single horse-shoe magnet contains two symmetrical inductors, one of which is thrusting forward, the other thrusting backward. So there is no problem with recognising which inductor is thrusting where, and how to connect them to the remaining components of the device. However, in spite of using two coils on one magnet, Methernitha prototypes still use two such magnets. Thus each one of Methernitha's devices have two symmetrical pairs of inductors (four in total), which are so wound that they guarantee two inductors to thrust telekinetically in one direction, while other two symmetrically thrust in an opposite direction.

Another group of findings regarding the telepathic pyramid, originates from those sparse researchers who already approached the construction of a prototype of this device, and thus went through the process of thorough analysing the whole concept. One of the key theoretical suggestions repeated by almost all of them, but so-far experimentally unverified, states that:

13. The tube (T) should be assembled in the vertical position rather than in the horizontal, as this assures the better optical cooperation between this tube and all four cascades of mirrors (M). But such a vertical positioning raises the problem of less efficient connection between the active material of tube (i.e. between the mixture of salt and mercury), and the tube's upper electrode. This problem becomes even more significant in the light of Mrs Daniela Giordano's discovery that the active material somehow disappears from tube with the elapse of time, thus subsequently tube becomes increasingly emptier. The answer to this problem is to increase the length of the upper electrode so it protrudes deeper into the active material.

There is also several technical details regarding the telepathic pyramid, which I learned from a very unusual source. For the scientific exactitude I decided to report here these details, although I also feel obliged to explain here how they become available to us, and what I think about their correctness. These details originate from a Polish UFO abductee (lets us refer to her by a pseudonyme "Miss G"). She is an aware UFO abductee, who remembers several abductions on a UFO deck, because her memory was not erased afterwards. The unique and very unusual attribute of her case is that she keeps a very friendly relationship with a crew of a small UFO. This relationship is so unique that she can meet her "alien friends" each time she expresses such a wish, and also she considers them to be her close "friends" (i.e. not enemies or intimidating abductors, as portrayed in chapters U and V). Because I investigated her case and know her well, I asked her to make me a favour and to request from her "friends" to show her the pyramid and to allow her to see the technical details of this device. The initial reaction of her "alien friends" was very evasive - the only thing they promised was to check what they can do. But after some time they actually show to her a working pyramid and allowed her to have a good look at it. Below I am repeating the technical details which she gained from this demonstration and then told me. I am repeating them because - contrary to details which I received from other UFO abductees and UFO contactees who claimed to see this pyramid, her technical details are not contradictive to what I know about the principles of operation of this device, thus it is possible that at least a part of them is technically correct. However, because this demonstration was actually given by a UFO crew - i.e. by members of a hostile civilisation which currently keeps us under control and pushes us down, I would recommend the caution with applying the last of these details, as it can be manufactured especially to mislead us.

14. The walls of the pyramid were made of a greyish, "frosted" material. But the level of "greyness" or "milkiness" of this material was not very strong, like a kind of grey fog, and thus allowed a partial visibility of the pyramid's interior. The level of mat and transparency for these walls could be compared to that of delicate "frosted glass" from greyish/milky (conventional) filament bulbs. Therefore the components which were located close to the walls could be seen quite well, while components which were deeply inside were less visible. These walls were quite hard, stiff, and solid, although the pyramid was not described as heavy. The shape and size of this pyramid was identical to that described by Mrs Daniela Giordano (see Figure K1). The device was not dismountable. The pyramid also glowed with vibratory light, as Mrs Daniela Giordano described it at the beginning of chapter C of treatise [7/2].

15. The disks located on each side wall of this pyramid were very shiny from inside. Their inner surfaces were described as looking like perfect metallic mirrors.

16. The hole in the centre of one of aluminium disks was small and its diameter was approximately  $d = 3$  to 5 millimetres (this information also coincides with what Mrs Daniela Giordano was telling me about the diameter of the hole).

17. The quartz crystal inside of that pyramid was shaped like an ellipsoid, and roughly resembled a shape that a miniature hen egg would have (i.e. an egg the size of which appeared to be smaller than the diameter "d" of the hole in an aluminium disk).

18. The cascades of mirrors (M), which Mrs Daniela Giordano describes as located in corners of the pyramid, in this pyramid from a UFO deck were located in the centre of each side wall.

19. The mirrors in each cascade were not standing exactly vertical, but were slanted so as if they were looking slightly towards upper part of the pyramid. The angle that backs of these mirrors formed with the extension of pyramid's floor was around  $80^\circ$ . Unfortunately this person couldn't take notice of the exact location of tube, therefore it is not known at this stage whether such slanting of mirrors was accompanied with the uplifted positioning of the tube. I asked about this slanting of mirrors especially thoroughly, as it may turn to be the key information. The mentioned person reassured me that she saw mirrors very well, and that there could not be any mistake - the mirrors were slanted towards their back sides!

I also asked this special UFO abductee to inquiry from her "friends" what is the basic principle that is employed in the operation of this pyramid. Again they were very reluctant to answer, but after a longer pressure they finally gave up and provided an answer that was a kind of compromise. Instead of answering the question directly, they took this person to an edge of a water canal (a saw this canal - is around 50 meters wide), through which a large river boat was just cruising. They show to her the highest water wave that this boat formed behind, and that hit the canal's banks to bounce back towards the canal's centre. Then they said something along the lines. "This tallest wave holds the key to the pyramid's principles. Take a good notice how it behaves and you are able to work out for yourself how the pyramid operates." Although this their "hint" is rather ambiguous and really does not tell us much about the operation of the pyramid, it is consistent with what I know about the bouncing of telepathic waves from the aluminium disks to form a sequence of counter-matter compressions and decompressions which made the quartz crystal (Q) to intercept telepathic waves (see descriptions from subsection K2.5).

These technical details received from our cosmic enemies really puzzle and bother me a lot. The point is that almost all of them are consistent both, with statements of Mrs Daniela Giordano, and with outcome of my own research. Therefore, I am not able to exclude the possibility that "alien friends" of that Polish UFO abductee decided to strike a gold centre between being loyal to their own civilisation, and simultaneously being fair to their "earthly friend" by giving her the chance to gain information that she asked for! If this would be the case, then also the last key information, regarding the "slanting" of mirrors to 80 degrees, is correct as well. However, knowing the intelligence of our cosmic parasites, the evil methods that they use on us, and their efforts to keep us in darkness, personally I feel that we should be cautious, and not believe blindly in all what they allow her to learn. After all, it is also possible that the whole demonstration of this working pyramid was a very cunning and clever trick aimed at directing us into a misleading avenue. In order to mislead us more efficiently, they could pass to us several technical details (i.e. the first five ones) which were read in the future from our own monographs, so that they are verifiable to us as coinciding with our own ideas, thus which would induce our trust. But then they could pass to us the key information which is misleading - i.e. that one which concerns the slanting of mirrors. The basic reason why this information may turn to be the key and the misleading one, is that if mirrors are perfectly vertical, then two opposite cascades form with each other a bouncing cavity that produces a standing optical wave. Such a standing optical wave can be the key feature for intercepting the user's aura/biofield (and thoughts). In turn when mirrors are slanted backwards (or slanted sideways) they do not form such a bouncing cavity (and a standing optical wave) thus the pyramid may not be able to work as specified. The message that I am trying to give through these explanations is, that if the demonstration of the telepathic pyramid to this Polish UFO abductee was a trick cleverly designed to mislead us, then the basic technical requirement of the pyramid's design is that mirrors (M) in each opposite pair of cascades, must be perfectly parallel to each other, so that the optical wave continually bounces between them. But if the demonstration was fair and really aimed at answering the questions, then these mirrors cannot be parallel and must be slanted so that each cascade faces only the tube but not faces the oppositely located cascade. By checking which one from these both technical solutions works in practice, we not only advance the completion of the



pyramid, but also answer the intriguing question as whether amongst our cosmic parasites are also some sympathetic souls which do not mean all evil.

Although an ordinary salt purchased in supermarket sufficed to cause the tube (T) to glow in experiments to-date, investigators with chemical experience may perhaps wish to try experimenting with salt which is purified (the readers who do not have experience with chemicals are strongly discouraged do even consider such experimenting). Interesting comments regarding the chemical side of the use of mercury and salt in the telepathic pyramid, were shared by Mr Krzysztof Bielikowicz (address: ul. Ogrodowa 2/1, 11-100 Lidzbark Warminski, woj. warminsko-mazurskie, Poland; e-mail <chris.b@interia.pl>). Here are the most important of his suggestions:

20. The material for electrodes in tubes (T) is important. Mercury dissolves almost all metals, except for: iron (Fe), platinum (Pt), wolfram (W), and molybdenum (Mo). It also gets more brittle some types of glass.

21. The chemical purity of the salt which is used for the construction of tube (T) can have a significance, as some varieties of salt designated for consumption have "anti-coagulants" added. There is a chemical method of purifying salt (NaCl). It requires a saturated solution of NaCl to be formed (i.e. to dissolve in water as much salt as possible) then the hydrochloric acid (HCl) very, very CAREFULLY (!) to be poured into it. But it must be so-called "fuming" acid - that means very concentrated. The sodium chloride (salt - NaCl) forms a sediment at the bottom, while impurities remain in the solution. The mixture must wait until the whole salt settle at the bottom, then the liquid from the above of salt sediment must be pour out, and salt must be dried.

The salt purified in such a manner can be dissolved in distilled water to form large crystals. In order to receive large, well shaped salt crystals from a saturated salt solution, one needs to cool down such a hot solution very slowly. For example, if one uses an electric cooker to heat the solution, one can leave the pot with the solution on the cooker to slowly cool them down together. If necessary, one can use salt condensers - for example threads, on which salt crystals can condensate.

\* \* \*

It should be added here that the above list is not closed and further verified information and proven in action technical solutions are to be added here as they become available. At that point I would like to issue an appeal to everyone who either experimented with the pyramid described here and reached the point #12 from the procedure described in subsection K2.6.1, or who accidentally intercepted the same telepathic message that Mrs Daniela Giordano did, or who saw on the deck of a UFO the pyramid described here, or who had a close look at any working device that utilises the same components as the pyramid does (e.g. seen one of the Methernitha's telekinetic generators). This appeal states that it would be with benefit to our civilisation if they could share with the rest of us any technical details that they managed to establish.

## K2.7. Future applications of the telepathic pyramid

Because the pyramid discussed here is composed of two separate devices, namely a telepathyser and a telekinetic battery, the possible future applications of this device can depend on which one of these two features is mainly utilised. Let us review these applications starting from the telekinetic battery.

When the pyramid is used as a **telekinetic battery**, its capabilities to generate free electricity will be utilised. In such an application the pyramid can be used as an individual generator of free energy which is capable to separately run a single household, a single car, a single machine, a single tank, a single aeroplane, a single submarine, or a single satellite. It will supply the required electrical energy to that household, car, machine, .., or satellite, providing the energy free of charge and in as high quantity as needed. Of course, for such an

use the simplified versions of this pyramid should be build, as described in subsection K2.4.1. In the effect of their wide utilisation, almost all to-day sources of electrical power, which pollute our environment and which decrease the human efficiency, will be eliminated. Unfortunately, as everything new, the mass introduction of these devices will also have some negative consequences, which in more details were elaborated in subsection K2.3.2 of this monograph.

The pyramid described here can also be used as an everlasting lamp (i.e. a illuminating system which works continually for almost unlimited period of time). To sustain the everlasting light emission by such a lamp system would not require any energy or fuel supply, thus would be very similar to the original idea which is reflected by "votive lamps" in Christian churches.

The telekinetically active (i.e. deformed in a required manner) electrical current that is formed in the circuits of this pyramid can also be utilised in the generators of the telekinetic field which then can be applied for telekinetic farming, telekinetic chemistry, telekinetic material engineering, telekinetic healing, telekinetic pharmacy, and many other areas which require the use of telekinetized substances or telekinetic field. During such an application of the pyramid, it would produce an appropriately deformed electric current which then would be supplied into a large inductor or electromagnet, the alternating magnetic field of which would then telekinetize the substance on which it would be directed. In turn such telekinetized substance could be used for the telekinetic growth of organisms, telekinetic growth of crystals, telekinetic production of chemical substances, as active ingredients of telekinetic pharmaceuticals, as a telekinetic healing medium, etc. - for more details see subsection J2.2.2 in monograph [1/3].

The utilisation of the pyramid as a **telepathyser** can have equally wide range of applications. The most important of these include:

- It is going to provide a starting point for initiating a completely new communication technology, in which the carrier waves would be telepathic vibrations. This new technology most probably will persuade our civilisation to completely abandon the present slow, dangerous, and very inefficient communication devices which are based on electromagnetic radiation and modulation of voice, into much more perfect systems of telepathic communication (but fully controlled by the individual who use this means of communication) of thoughts from one mind directly to other.

- It makes possible the direct connection and the exchange of thoughts and feelings between two people. This exchange will be effective no matter what languages are used by these people for their verbal communication. This is because it will be carried out via the universal language of thoughts (ULT) - see subsection I5.4. It will be instant, independently of the distance which separates these people, and also there will be no outside physical obstacle or barrier which will make such a communication impossible (except for the range/sensitivity of telepathic devices themselves).

- It will allow for the direct exchange of thoughts between two minds, independently of the state of consciousness that they are in. Therefore it will allow to "talk" with deaf and dumb, for waking up people in coma, studying of thoughts of people who are just dreaming, alarming about the disappearance of thoughts (e.g. at the time of death during a sleep - e.g. consider the prevention of the "Sudden infant death syndrome (SIDS)", popularly also called "crib death" or "cot death"), and many more.

- The pyramid can be useful not only for communicating between two selected people, but also between our civilisation and other civilisation, between people and animals, between people and insects, and even between people and plants. In the scientific and technical dimension the construction of this pyramid will be an enormous leap forward for humanity, as it will free us from the present communication barriers and will open the inner and outer space for our minds and instruments.

There is one more application of the pyramid discussed in this publication, which deserves special emphasizing. It is the awareness of principles that our cosmic parasites are using for keeping us under control and manipulating our views. Because our knowledge of these principles introduces countless implications, it will be discussed in more details in a separate subsection K4.

### K3. Thought Recognition Interface (TRI)

The technical completion of telepathic pyramid described in previous subsection will open the way for returning to the original idea which in subsection K1 was described under the name of "remote mind reader". But this time the remote mind reader can be realized at much higher level of perfection. All what takes now to build such a remote mind reader is to replace the "telepathic sensor" described in subsection K1, with a whole pyramid described in subsection K2. Such a whole pyramid also intercepts someone thoughts, as the original "telepathic sensor" did, and it also enables these thoughts to be transformed into a numerical form through the use of an analog-digital convertor. After being converted into numerical form, the thoughts from the pyramid also can be supplied to a computer where they can be subjected to processing by appropriate software. In turn the possibility of subjecting someone's thoughts into continuous computer processing opens an enormous range of future applications which will be discussed in this subsection.

The above deduction indicates the additional improvement to be introduced to the "remote mind reader" invented a long ago and described in subsection K1. This improvement will depend on supplying the remote mind reader with a miniature telepathic pyramid, thus obtaining a completely new device which opens the capabilities of a computer processing of our thoughts. In this monograph this completely new device will be called a **"thought recognition interface"** or "TRI" as it enables connecting people to other machines via someone's thought process and via a controlling computer. In turn such a connection of people and machines via thought signals, enables to exert a control over these machines without any manual manipulations or voice commands.

A best example of application of such thought recognition interface (TRI) would be a system which controls a wheelchair for a disabled person. If this device is completed, then in order to control the movements of such a wheelchair it would be enough that the user would think of moving forward, moving backward, turning back, accelerating, or stopping, and the control system of this wheelchair would instantly recognise what this person thinks, and would convert these thoughts into appropriate actions of the wheelchair. Of course, such a wheelchair is only a single example from multitude of applications of the new device described here. Other popular applications of the thought recognition interface will be discussed in subsections that follow.

The new devices that this subsection describes, similarly to all other technical devices, will be constructed at various levels of perfection, and thus they can receive several different levels of application. Therefore, depending on the technical level to which they belong, they can be classified to several different generations. In this subsection, ever increasing capabilities of several generations of these devices, starting from the most simple ones, will be discussed. These most simple devices, we will call here "TRI of the first generation".

#### K3.1. TRI of the first generation, and their applications

A typical "thought recognition interface" (TRI) of the first generation will be composed of three basic components, namely: (1) the thought "inouter" (as described in subsection K2.4), (2) "analog-digital converter", and (3) "processing computer". The function of "inouter" is to tune to someone's thoughts and to convert these thoughts into analog electronic signals, or to convert analog electronic signals into someone's thoughts. Therefore these "inouters" will perform the functions which in today's "voice recognition interfaces", or "VRI", are performed by microphones and speakers. In the first TRI build after the completion of the pyramid described in subsection K2, the function of "inouters" can be performed by whole telepathic pyramids. In later versions of TRI, most probably pyramids will be replaced by some more

advanced telepathic devices. The "analog-digital converter" is a typical device already used in computer-related technology to translate analog signals into digital signals, and vice versa. Such converters are widely used in computerised systems for control and measurement. In the thought recognition interface such a converter will translate the analog signals which represent thoughts of the user, into digital signals that can be processed by a computer. The "processing computer" is a kind of translator, which will recognise thoughts that are expressed as sequences of digital signals, and then describe these thoughts by some kind of written interpretation (e.g. by a keyword). The preparation of software for such processing computer will be an ambitious challenge to mathematically inclined researchers. But as it was described in subsection K1, a simple version of such software was already prepared and successfully tested on the "remote mind reader".

The above description realises that there is a close similarity of the TRI to the "remote mind reader" described in subsection K1. The almost only difference is that an imperfect combination of the "telepathic sensor" and the "interferometer" from remote mind reader is to be replaced by much more precise and reliable "inouter" which initially can be the whole pyramid from subsection K2.

The completion of the first thought recognition interface (TRI) will open completely new horizons for human technology. Several astonishing, and to-date not even realised, new applications will be open by this device. In each of these new applications, TRI of the first generation will perform a function of completely different utility equipment. Let us now review the most important of these new utilities, and describe the basic applications for each of them. During reading these description it should be noted that from the countless applications of each of them, only these applications are described below which are the most representative, and thus which can appeal best to the reader's imagination. As these applications refer to our present level of morality, from the point of view of totalizm not all of them are acceptable. Therefore I would like to add here that using them as illustrative examples does not means that I morally approve them as totalizticly acceptable behaviours.

1. Thought recognising **controller**. It will allow to control the operation of various technical devices, which will be carried out via thoughts of their operator. As this was explained in subsection K3 on the example of a wheelchair, TRI allows to control the operation of various machines with the use of thoughts only. Therefore when such a TRI is to be used as a thought inputting device (i.e. at the entry to the controller) for, let say, a wheelchair, an industrial robot, a computer, a car, an aeroplane, or a spaceship, then the operation of all these machines can be controlled directly with thoughts of the user. In such a case it will be enough if the person who sits on this wheelchair (or who controls such an industrial robot, a computer, a car, an aeroplane, or a spaceship) would think of a specific command, and this command instantly would be intercepted by the "inouter", converted into a digital form by the "analog-digital converter", recognised by the "processing computer", and then - if this thought in fact does represent a command, given to be executed by the machine's controller. In this way, at the further level of our development, practically all devices and machines used by people, including even such objects as our furniture, kitchen appliances, TV sets, etc., most probably will be controlled in a manner much more convenient then today, by the use of human thoughts. For example the future "worshippers of TV sets", will be able not only to change channels with the use of thought commands and without even moving a single finger, but also they will be able to "order" their couches to change position, angle, shape, or heights, or order the robot in kitchen to prepare a cap of tea and bring it to them. It should be added that such devices which are controlled by human thoughts are not novelty at all. In Homer's "Iliad" there is a description of a megalithic civilisation which used to have space vehicles that are controlled by thoughts. Also numerous UFO abductees are claiming that UFO vehicles are also controlled with thoughts.

2. Telepathic **communicator**. Two TRI which are connected together by some kind of system for exchanging digital signals (e.g. a telepathic system which would be similar to today cellular telephone system), would allow the direct communication without the use of speech. In

the sense of effects of their action, they would be similar to two pyramids described in subsection K2. But their signals would be digital, not analog. Therefore their signals could be appropriately coded, e.g. to prevent them from being intercepted by unauthorised people or unauthorised civilisations. This in turn opens a whole range of interesting applications. Some more interesting examples could include: the development of a system which would be similar to our present cellular phones, but which would allow for a direct exchange of thoughts between any two people, easy conversation with people who have impeded hearing or speech (e.g. with older people), studying criminals, allowing a better grip of governments over their citizens, allowing constant supervision of husbands by their wives, or vice versa, and many more. It is interesting that the civilisations which occupy us, have already developed such a system. The practical application of it is described in treatise [3B].

**3. Exchanger of feelings.** Feelings are products of our minds. They reside in minds, and in our to-date communication systems could not be directly pass to others. Until today, the communication of feelings was carried out by their description, or by their connection with various signals - e.g. the feeling of pain with someone's scream or with the description of that pain. If someone experienced some kind of a new feeling, he/she was unable to show others how this feeling taste, while his/her verbal descriptions could be wrongly interpreted because they were very depended on the frame of references (accumulation of experience) that the listener had. However, the introduction of TRI will enable us to pass our feelings directly from our mind to minds of others. For example, if someone loves someone, it become possible to let the selected person feel how his/her love exactly tastes like, not mentioning that it is possible to illustrate what is the depth and the tone of this feeling. Additionally, through making the computerised memory of feelings, as well as a computerised simulator of feelings, it will also be possible to pass to others any feeling that in a given situation would be the most appropriate. For example in case of people being scared, or in a shock, it will be possible to send them the feeling of calm, comfort, and love - even if the person who sends these feelings does not experience them (i.e. if it generated only by his/her TRI). In turn after encountering dangerous people like hooligans or bandits, it will be possible to deter them by sending them a strong feeling of fear, panics, and terror.

**4. Generator of feelings.** A TRI which was appropriately preprogrammed, is also capable of generating in selected people any type of feeling that the users of this device may wish. Thus they can operate as effective generators of feelings. Due of them, bankers and doctors in future will be able to induce at a wish the feeling of trust, reliability, and assurance. Bosses will be capable of inducing in their personnel the feelings of respect, authority, and conviction. Lovers will be able to induce feelings of love, passion, and desire in objects of their dreams. In turn bored partners who seek a change, will be able to induce feelings of antipathy, boredom, and impatience.

Well selected feelings will be able to be generated not only in people, but also in animals. For example in future people who would travel through jungle, could spread around themselves the feeling of fear, panics, and terror which would keep dangerous animals at a safe distance. In turn butchers will be able to calm their future victims by inducing in them feelings of trust, care, and friendliness.

It should be added here that the majority of UFO abductees are reporting that they experienced the action of just such generators of feelings on decks of UFOs. This is how our cosmic parasites keep us calm, in spite of subjecting us sometimes to very horrifying and painful procedures.

**5. Detectors of feelings.** It should be indicated that the generators of feelings described in previous item, will pass to others various feelings which the sender does not feel, or even know. Therefore for revealing if the feelings that someone is receiving from others, are actually genuine, or just generated by a TRI's processing computer, special "detectors of feelings" will also be developed (similarly as the development of police radars triggered the development of radar detectors). Such detectors of feelings for example may allow a girl to check if the strong feeling of love that is emanated from her boyfriend is genuine, or just

generated by his TRI. In turn a boss who perceives the strong feeling of respect, authority, and admiration from his/her personnel, will be able to check if the personnel really feels it all, or just programmed their personal TRI for these feelings in order to gain a fast increase of pay. A tourist who perceives from a local the powerful feeling of trust, helpfulness, and invitation, will be able to check if these feelings are proceeding to a robbery, or are genuine expressions of hospitality. In turn a human who met an UFO-naut and is perceiving a powerful feeling of friendship, trust, and love, will be able to check if these feelings are genuine, or just are to conceal a series of painful experiments, checkups, and robbery procedures, which the UFO-nauts is going to run in a while.

6. **Thought word-processor.** It will make possible the transformation of thoughts into written texts and vice versa. Through connecting such a TRI with a personal computer, it will be possible to read thoughts of a given person, and express them in a written form. This will allow to write our letters, books, or scientific dissertations when we walk in park or travel in an aeroplane. It will allow to program our computers, design banners, and write memos, without a necessity to touch any computer's keyboard. In turn the reversed process, i.e. transformation of texts into thoughts, will allow us for example ordering our personal computer to read us a favourite book or a letter, to review an archive or a library, to translate any foreign writing we wish to know, etc.

7. **Memory extension.** The enormous prospects of using TRI are opened by the possibilities of utilising these devices for educational purposes. This is because they allow to learn without the necessity of personal participation in lessons (e.g. during lying on a beech, or walking through a park), learning during night sleep, and the production of unique devices which we could call "memory extensions". "Memory extensions" would be devices, which would extend our memory through writing down any information that the user would order them to remember, and later at any wish they would bring this information to the user's attention.

8. **Thought encyclopedia.** "Thought encyclopedias" would be preprogrammed memories which would contain a complete information about the bulk of knowledge that we would like to have handy in our heads. Thus whenever we would like to know something about any topic that we are interested in, these "thought encyclopedias" would find the description of this topic and bring this description directly to our mind. In this way, the "thought encyclopedias" would be like little experts given to our personal use, who would explain to us any problem that we would like to know more about.

At this point it needs to be emphasised that the "thought encyclopedias" are kinds of small computers which have coded in them permanently knowledge about various topics, including philosophical knowledge. This computer tells the user at any moment of time, whatever the user wants to know. In fact the user will not even be aware that this knowledge originates from a technical device instead of his/her biological memory. Unfortunately these devices will not be selectively programmable, i.e. the user will not be able to prepare them for him/herself, but must be done by experts. Therefore they will carry in them the philosophy of these experts, their moral values, etc. As such they will open a huge potentials for abuse, as for example a second Hitler would be able to reprogram with them a whole nation to his own views and moral values.

9. **Manipulator of views.** The views of a given person depend on a philosophical knowledge that this person accumulated, the moral values that this person respects, the laws and rules that this person follows in everyday life, internal impulses, etc. In the sense of ways it is formulated, views are formed exactly the same as every other type of knowledge. Because TRI allows the formation of "thought encyclopedias" therefore it is also possible to produce devices which work on the same principle, but which are providing the user with an uniformed kind of views. Such "views manipulating devices" would define what opinions and philosophical outlook their owners would display in every moment of their lives.

Of course such "manipulators of views" will be extremely controversial devices. After all, they deny the owner a freedom of choice, they disable the formulation of one's own opinions,

they make impossible the selection of one's own path through life, and for the civilisation as a whole they make impossible the correction of eventual imperfections in the philosophical outlook. However, the advanced cosmic civilisations which adhere to the philosophy of parasitism will have the need for this device to be build into every TRI that individual members of this civilisation are using. For example, on the basis of the to-date analysis I am quite sure that such devices are surgically inserted in heads of every member of the parasitic civilisations that currently occupy our planet. This in turn guarantees that members of these civilisations never are able to change their views, and for example adopt totalizm. There is also an increasingly large body of evidence, that similar miniature devices are also implanted in heads of all systematic UFO abductees, thus reassuring that these abductees remain in disbelief about the reality of their abductions, and also that they are easy subjects for manipulating into the fulfilment of tasks that their cosmic masters ordered them to do.

At this point I would like to emphasize that for scientific exactitude I am informing about the capability and the existence of these devices. However, I would also like to emphasise that I am very against any use of such devices on people, in whatever way their purpose initially would be explained. If I would be asked for an opinion, I would also strongly oppose to any attempts of introducing such devices for people. The reason is that these devices represent the exact evil, the prevention of which this monograph is aimed at, and for the alarming about which I am risking my life. I would also like to take this opportunity and to warn that our civilisation should never even contemplate the introduction of manipulators of views. The use of these devices on anyone stays in an open contradiction to the statement of moral laws - after all the manipulators of views are depriving people of free will, thus also depriving the main motive force that is released by the moral field. Therefore the imprisoning anyone's free will with such devices, even if these would be our worst enemies, in the final effect would always bring very serious consequences.

**10. Monitor of thoughts.** It is to make possible the continuous registration of someone's thoughts. After TRI is connected to a large computer-like memory, it is possible to continuously monitor and to store someone thoughts. This in turn opens unlimited new possibilities. To mention an example of them, it would allow to intercepts someone's telepathic telegrams, in a manner similar as today "answering machines" do this with our telephone messages. It would also allow the monitoring of thoughts of people suspected of committing a crime - to prove their innocence of guilt, it would allow to reinforce our own memory, to register certain thoughts in order to later use them again, it would allow the registration of thoughts for research purposes, e.g. to see what unconscious people think, or what little babies think, it would allow to monitor our own dreams, it would allow to check knowledge in school children, it would allow examining students and various course participants without the necessity of verbal or written exams, and many more.

**11. Translator of texts.** TRI also allows to develop devices which would easily translate between various spoken languages. The reason is the existence of the ULT language. According to what already is known about telepathy - see subsection K2, there is an universal language of thoughts (ULT) in which all texts can be expressed. Therefore instead of building multitude of translating machines which translate from any language into any other, it is possible to build for every language only a single translator which translates to, and from, ULT. Due to this, every language can be translated into any other, by firstly translating a text into ULT, and then translating it from ULT into another language.

**12. Transformer of thoughts.** It will allow to transform thoughts into forms, pictures, and sensations. In manner similar as today computers transform the motion of their mouse into appropriate picture, also TRI will be able to transform someone's thoughts into a picture, a motion, or a sensation. This in turn will allow us to create art directly by thinking about what we want to produce, forming the so-called "virtual realities" in which computers will change the environments according to our wishes, the production of "interactive films" in which the cinema-goer will take a thought part in the action, and even will change the outcome into a

desired one, the completion of recreational compartments in which all external conditions will be tuned into our wishes and thoughts, etc.

It should be added to the above that apart for the initial phase of development of these devices, TRI will be manufactured in miniaturised form of approximately a pepper-grain size. Thus, for the convenience, these devices can be surgically inserted directly into brains of their users. Therefore they can also be directly linked with users' minds. This means that all functions that are described above, in future can be executed without any visible presence of a technical device. The devices which execute these functions will be placed in heads of their users, and therefore unnoticeable for outside observers.

Examples of TRI applications discussed in this subsection realize that the introduction of these devices into a common use would cause another revolution in our communication, similar to the first revolution that was introduced by the completion of telephones.

### K3.2. TRI of the second generation, and their applications

Of course, as all other technical devices, also those ones which in the previous subsection were described under the name "Thought Recognition Interface", or TRI, with the elapse of time will undergo through the process of various perfecting and modification. As this is always the case, these modifications will cause the increase in their power, range, level of tuning in, precision of transmission, sensitiveness, area of application, and many more. But there is one type of modification which will advance the previous TRI into a higher generation of devices.

This special modification will originate from the capability of TRI to induce in the user's brain a further type of signals. Instead of inducing only thoughts and feelings, this second generation of TRI will also be able to induce pictures and sensory messages. Thus these TRI of the second generation will be able to convey not only thoughts and feelings, but also signals which in normal cases are generated by human senses (i.e. by eyes, ears, taste, smell, touch, and also by all internal senses, such as pain, irritation, coldness, tiredness, hunger, pleasure, etc.).

From the operational point of view the difference between TRI of the first generation, which are able to convey only thoughts and feelings, and TRI of the second generation, which are also able to convey all sensory messages, is in their complexity. This is because from the point of view of mechanism involved in the transmission, conveying for example pictures from eyes to the brain, uses the same type of physical phenomena as conveying for example thought or feeling.

Similarly as this was the case with TRI of the first generation, also TRI of the second generation are allowing to be used for numerous applications. Let us review here the most important of these. Note however, that these new applications and capabilities of TRI of the second generation will appear on top and above of what also TRI of the first generation can do. Therefore, TRI of the second generation can work in any manner which was described for TRI of the first generation, plus additionally they can be used in a whole multitude different manners which are explained below.

**1. Demonstration chambers.** In order to explain here their operation, let us imagine a compartment which in reality is shaped like a closed sphere or a cocoon, which from the inside is similar to a silk-worm cocoon. This sphere is so lighted up, has such appearance of walls, and such interaction with our senses, that after one enters it, his/her senses do not receive almost any stimuli (i.e. inside the sphere almost complete "sensory deprivation" takes place). Thus one's presence inside of such compartment could be compared to the presence inside of a white cloud, or in very dense fog, which do not form in our senses any feeling of shape, sound, smell, motion, etc. Therefore in people who are inside of such clouds, it is possible to generate nonexistent sensations which are not originating from their physical senses, but which are generated by the TRI of the second generation which is build in this chamber.



Therefore, depending on the need, people who are inside of such a chamber, could experience artificial sensations which are beamed to their brains by this TRI, thus for example feeling as if they are on a beach, on a paddock, or in forest. The TRI would interact with their brains in such a manner that they would not only see around themselves the place they supposed to be, but also hear this place, smell this place, and even feel this place through their skin (e.g. feel the blow of wind, the splash of sea spray, etc.). All these sensations would be formed through superimposing additional unreal signals onto almost non-existing signals which in these compartments would be formed by their own senses.

The demonstration chambers can be utilised for countless applications. For example they can be utilised for teaching purposes, for entertainment, or for professional purposes. If they are used for teaching, it is sufficient that a student entering such a chamber starts to think of something, and immediately this appears in front of his/her eyes. For example if such a student starts to wonder how a planet which is destroyed in the effect of a nuclear war may look like, the computer from chamber's TRI perceives these thoughts, recognises what these thoughts are wishing for, and presents the appropriate scenario. In case of a nuclear war, TRI would show scenes from a destroyed planet, with green air full of gases and smoke, and with the air saturated with smell of decay which comes from every direction. If in turn such a student wishes to find out how an ancient battlefield looked like, immediately this person would be surrounded with the noise and pictures of fighting people, starts to smell sweat and blood of fighting armies, and his/her mind would be bombarded with emotions and fear that was prevailing in such battles. In turn when the chamber is used for recreational purposes, it is sufficient that someone starts to think that for example is on a beach, and immediately is surrounded with the smell of a beach, his/her skin starts to feel the flow of sea breeze and the warmth of sun, while in eyes a picture of gold sands, green sea, and blue sky would appear. In turn people who would have an inclination to rest, let say, in medieval harem or present nudist beach, immediately would be surrounded with sensations of being in such places. In turn during using demonstration chambers for professional purposes, it is sufficient that some may wish to have a conference, and immediately a typical conference room would appear in front of his/her eyes, showing typical appearance, smell, sounds, and moods of such a place. In turn an investigation officer could show crime scenes, pilots' trainer could show cockpit of a selected aeroplane, while medical lecturer could show an operation theatre.

From reports given by UFO abductees it is known that such demonstration chambers are very widely used on UFOs. Practically every UFO vehicle of a type K7 to K10, has on the deck one of such chambers. UFOonauts use them for recreational purposes, and also as learning and simulation aids. In turn humans abducted to UFOs are being taken to these chambers for various demonstrations, and interrogations. Such UFO chambers usually are serving as a very advanced cinemas in which various scary scenes are shown to people (e.g. scenes from battlefields, or the appearance of Earth after a nuclear war). Sometimes these chambers are used to simulate environment in which people can be interrogated better, or feel more official.

**2. Reproducers of memories.** An advanced system composed of a TRI of the second generation and a demonstration chamber described above, can also be used to read someone's memory recalls and then to reproduce it in a form of sensations to be experienced by other people. In this way it is possible to read any adventures remembered by a given person, and to exactly reproduce this adventure to others who are interested in reliving it. For example a veteran of a war could in this way allow the selected members of family, or young soldiers, to experience how it feels to participate in a heavy battle. The participants of such session would not only go through all feelings that accompanied the fight, but also could see the views, hear the noise, smell the fumes, but even relive all fears and pains which accompany such a fight. In this manner the experiences of any person could be relieved by any other person. Parents could let relive some situations from their own lives to their children, couples could share with partners their own perceptions and experiences (e.g. a man could then literally go with his partner through all phases of her birth giving, while a woman could

literally experience how her partner perceives her actions), while professionals could reveal to colleagues the best cases from their career.

**3. Copiers of perceptions.** Through connecting together two minds via a TRI of the second generation, an exchange of currently perceived experiences can be achieved. The use of such connection would cause that all what one mind experiences, the second mind would go through as well. In this way the second person, in the mind of which the copying of perceptions received from the first mind would occur, would have an impression that he/she is taking an actual part in a given action. For example the present transmission of reports from visits of important figures in other countries, could be replaced with connecting minds of viewers with the mind of that figure and exact reliving all what this figure lives through. In a similar way, instead of watching nature films, viewers of the future could be able to experience how it is to be in a given place and to observe what is currently observed. It will be also possible to experience how it feels to be a dog that is currently bitten, how the world is perceived by a hungry monkey, listen how two whales communicate with each other, learn how a shark finds a wounded victim, see how looks a world viewed by eyes of a tiger, or an eagle, see what and how a bat is "seeing" with its ears, find out what two fighting cocks are going through, or experience how is to be a cow in a slaughter house.

Copiers of perceptions provide a capability of communication which is unmatched by our present devices. As we know sensory perceptions presently can only be communicated with the use of verbal analogies, which in effects usually are very unreliable. Thus, it is almost impossible to explain, for example, how rheumatism pain feels to someone who never experienced them, or explain how colic feel to someone who never had an indigestion.

One of the most interesting possibility which is going to be opened by the construction of copiers of perceptions is "renting of senses". In the sense of principles used for operation, this renting will be a realisation of old folk stories about witches or wizards (i.e. old versions of present-day UFOonauts) who in order to see visually someone who is located in a distant place, used to send over there their favourite bird, and then observe this distant person with eyes of that bird, as well as listen to everything with ears of that bird. The mechanism of such "renting of senses" depends on linking together two minds via a copier of perceptions, so that one of these two minds experiences not only its own perceptions, but also all perceptions that are experienced by another mind. The best application of this capability will take place in case of blind, dumb and death, or paralysed, as they again can see, hear, and move, with the aid of eyes and ears of their monkeys, parrots, dogs, cats, or other animals which could be linked to their minds via such copiers of perceptions.

Of course every device can be used for a positive or for a negative purpose. An illustration of such negative utilisation of copiers of perceptions could be uses that these devices are put into by UFOonauts which currently occupy our planet. For example, in almost every case when one of such UFOonauts is raping a human, several other UFOonauts are linking their minds to the rapist, so that they also could have a "kick" without charging their karma. Another negative example of using this device by UFOonauts, is to dump unwanted karma on people (how UFOonauts charge innocent humans with karma from crimes that they committed themselves, is described in subsections I4.4 and T4 of this monograph.

**4. Generators of sensations.** Sensory experiences can not only be copied, but also memorised by appropriately programmed TRI of the second generation, and then played back at any wish. In this manner for example doctors and dentists can induce the feeling of pleasure in cases when actually there will be a pain. In turn bosses can induce the feeling of freshness and energy in situations when their personnel is almost fainting from overworking and tiredness. Hosts can induce in their visitors either the sensation of hunger or the sensation satisfaction, depending on how full is their fridge. In turn married couples can add a depth to their life by technically induced sensation of deep satisfaction.

It should be added that UFO abductees are almost continually subjected to such generators of sensations during periods of whole abductions. In this way they perceive the

feelings of pleasure, calm, and friendliness in situations when they are robbed from the most precious resources and subjected to inhuman treatments.

**5. Modifiers of appearance.** People who have TRI of the second generation will be able to change their appearance in eyes of others, and also change the appearance of any object from their vicinity. A drastic situation which would demonstrate the application of such device, would be an ugly oldie who fell in love with a very young girl. In order to seduce this girl he could use his portable TRI and change his appearance (in mind of the girl) into a young and hansom youth. Therefore the girl would all time think that she is having a young and incredibly hansom boyfriend. Folklore of many nations is saying that such a capability for drastic changing the appearance used to have ugly witches and monstrous wizards. Of course on a similar principle some future jokers could used their TRI to appear to their friends, or to uninvited guests, as a walking banana, a dinosaur, a skeleton, a robot, a motorcycle, or a fear inducing boss.

It is well known that UFOonauts which currently occupy our planet are widely using the modifiers of appearance. In this way UFOonauts which in fact look exactly as we do, when they wish to mislead us may take an appearance of strange aliens. In turn aliens which actually look like crocodiles may in our eyes take an appearance of our friend, seductive actress, a deer, a large owl, or a motorcycle - see reports from subsection T4 of this monograph. For example there was a case reported when a UFOnaut wanted to put a pipe into the throat of one UFO abductee in order to pump the content of his stomach. So instead of chasing this abductee to complete this painful procedure, the alien took up an appearance of a very seductive beauty which let to know the Earthmen that she wants he take her in arms and give her a kiss. But when the abductee let himself into this trick, the alien pushed him a pipe into the throat and pumped his stomach. In a similar manner it is known that some ancient gods (i.e. obviously homosexual UFOonauts) used to change their sexes and depending on circumstances used to appear to human as beautiful women or hansom men.

Modifiers of appearance can also be used for complete vehicles. For example, if needed, UFO vehicles can use such devices to transform themselves in eyes of observers into any possible objects, including our present helicopters, aeroplanes, cars, horses, deers, or even kites. Such a capability of assuming by UFOs any illusory appearance, allows these vehicles to always look like whatever is acceptable in a given epoch. Therefore in old days UFOs took on appearance of either additional suns, planets, comets, exotic animals, or chariots. Later they used to appear as airships or rockets. Presently they appear as large balloons, unmarked helicopters, or aeroplanes.

The interesting capability of TRI of the second generation, or more strictly their potentials to change appearance and to copy sensations (renting senses), is the ability to completely change the appearance of other people, and to link minds of these people with some animal (or object) from vicinity. For example if in past a person was to be punished by a UFOnaut, then the alien would cause that in eyes of other people this person would appear to be a rabbit or a frog. Simultaneously senses of this punished person were linked to mind of a nearby rabbit or frog, so that he/she started to feel like this animal and also started to see everything with eyes of this animal. The result was that both, the affected person and all other people, started to believe that he/she was turned into a frog or a rabbit. Of course this illusion could not last forever, thus after serving such a punishment, the alien would allow the victim to bag for forgiveness and then return him/her the human appearance. It is well known from folklore that such changes of people into animals used to be quite common amongst witches and wizards of old days (i.e. by UFOonauts which at those days used to live amongst people).

**6. Invisibility devices.** Appropriately modified TRI of the second generation, of a similar action as modifiers of appearance described before, allow also for a complete disappearance from the eyes of outside observers. This disappearance is achieved through the erasure of picture from minds of observers (i.e. the disappearing object is still there, only that it is not seen by others). In this manner the vehicles or beings who have such a device, at any wish can become invisible to all people that are present in such a place. It should be

emphasized here that such a sensory disappearance via the erasure of the picture in minds of observers, is drastically different from the technical methods of disappearing which can be achieved on several different principles, for example through creating a magnetic lens, through initiating a fast telekinetic flickering, or through several ways of manipulating with time. These technical manners of becoming invisible are described in monograph [1/3].

### K3.3. TRI of the third generation

Our universe is constructed in so intelligent manner, that the path to perfection never finishes (see subsection JB7.4). Therefore after the development of TRI of the second generation is completed, our researchers and engineers start to work on the completion of even more perfect generation of these devices. Various sections of the new Concept of Dipolar Gravity seem to indicate that this third generation of TRI devices will form additional channel of communication between our brains and counter-material duplicates of these brains (or between physical objects, and thinking counter-material duplicates of these objects) - for more details see subsection JB7.4. This additional communication channel will operate independently from the channel which brains of all living creatures developed in a natural manner, and which allow to use all benefits that are provided by the thinking substance of the counter-world, namely: intelligence, long-time memory, capability to solve problems, etc. Due to formation of this additional communication channel, TRI of the third generation will be capable of interfering with the so-called "subconsciousness" of all living organisms (in light of the new Concept of Dipolar Gravity, "subconsciousness" is simply knowledge and skills accumulated and remembered in the counter-material duplicates of these organisms). In turn the capability to interfere with this subconsciousness will open a whole range of new applications for these devices, which at the moment are not even present in our dreams. In order to familiarise the reader what these new capabilities of TRI of the third generation can be, below several examples of their applications is discussed. Note that these new applications will appear on top of, and in addition to, what previous generations of TRI can do, and what was already discussed in subsections devoted to capabilities of TRI of the second and first generations.

1. Technical **hypnotising** of people and animals. TRI of the third generation will allow to instantly hypnotise people or animals in a manner which is repetitive, reliable, and which can be carried out at any wish of the users of this device. In turn this instant hypnotising will allow, for example, to immobilize bodies of people or animals without the need of subjecting them to a physical binding or to medical drugging. It will also allow to instantly paralyse movements of dangerous animals, or aggressive people, before they have a time to get to the user of this device. It will enable issuing orders to people or animals, so that they will carry out actions which go against their will (e.g. ordering human collaborators described in subsection U4.4 to sabotage efforts of other follow humans, or to even destroy indicated follow humans). It will enable to change the reality perception in selected people; to give post-hypnotic suggestions to people, etc.

2. **Reading the content of long-term memory** of any person or animal, which can be carried out without the will or consent of this person. In this way carriers of such TRI of the third generation will be able to instantly learn not only the name and address of any person they meet, but also the whole history of this person, his/her previous life, all intimate secrets, preferences, weaknesses, attributes of character, etc. This reading someone's long-term memory will allow to review someone's previous life and experiences in a manner as we now review colour movie films. In the sense of way it would happen, such reviews carried out with the use of TRI of the third generation would be similar to reviews which take place in case of "NDE" (Near-Death Experience), but they could happen at any wish of the person who has such TRI, not only in cases when someone is about to die.

Very interesting is the application of this method for reviewing the memory registers from the counter-world for all objects which presently we consider as "inanimate" (e.g. clothing, glasses, cars, machines, ground). In the sense of effects, such review via TRI would be an advanced version of old ESP inquiries that are mastered by diviners who use pendulums or divining rods to find out about missing people, health, underground minerals deposits, water, machines malfunctioning, etc. In case of TRI of the third generation it would allow, for example, to read from memory of an anonymous letter all details of the person who wrote this letter, to read from an old clothing who, when and in what circumstances was wearing this clothing, and what was the course of life of the person that wore it, or to read from a weapon found at the scene of crime, who, how, and on whom used it.

Very interesting result gives the analysis of applications of this technique for people investigated by UFOs. In my research on UFO abductees I come across a phenomena which to other people seems to be very strange, but which is easily explainable in the light of devices discussed here. This phenomena is the chronical disappearance of small objects owned by some UFO abductees, and the reappearance of these objects in strange places some time later (in some cases even 2 years later). Objects which are most frequently reported as temporally disappearing, are spoons, personal jewellery, pieces of clothing, glasses or contact lenses, pens. Deductions provided in this subsection reveal that such objects are temporally borrowed by aliens to be subjected to the process of reading of their memories by TRI of the third generation. In the result of this reading, UFOonauts have a good idea as to what and when a given person eats, reads, looks at, or whom and how frequently he/she loves. After UFOonauts learn whatever they wanted, they return the borrowed objects, sometimes putting them in strange places because they either do not remember where they originally picked these objects from, or by hiding these objects they try to provide an explanations for these strange disappearances.

**3. Erasure of selected memories.** Owners of the TRI of third generation can at any wish erase any part of memory in another person or in another object.

Such device is one of the most frequently used standard equipments of our cosmic parasites. As it is well established by now, these parasites thoroughly erase memory of their victims after each abduction.

**4. Introduction of false memories.** In the same way as owners of TRI of the third generation can erase a selected part of memory, they can also introduce a new false memory which in reality was not gained by the owner of this memory. Such introduction of false memories depends on: (1) creating an artificial memory which is formed in a manner as currently we produce a film with the use of computer technology, and then (2) introducing this artificially created false memory to subconsciousness of a given person. In this way a given person sometimes recalls something that he/she believes is his/her own memory, but what in fact was introduced via TRI of the third generation.

Of course this capability of TRI of the third generation can be used both for moral, and for immoral purpose. An example of using it for immoral purpose can be the way our cosmic parasites use it for making some people to believe that they were UFOonauts themselves, or for dumping unwanted karma on some innocent people (i.e. when UFOonauts commit any crime, they avoid the punishment by dumping the karma for this crime on some innocent UFO abductees, who are specially selected to be "karma dumps" - these people are usually known for their extreme "bad luck", as constantly something disastrous is happening to them). In turn an example of using this device for moral purpose could be to use it for learning (e.g. for gathering knowledge and memory of experiences which otherwise would require putting ourselves in various dangers), or use it for healing (e.g. supplying the depressed people with cheerful and encouraging to action memories).

**5. Temporary separation** of souls from bodies (i.e. separation of memory and conscience registers contained in our counter-bodies, from these counter-bodies). Such separation opens a whole range of applications, which at the present level of our technology are considered to be completely impossible. To name some of them, they allow for: dislocation

of someone's conscience beyond body (i.e. a technical formation "out of body experiences"), changing body (i.e. shifting conscience and self-awareness of selected people to another, younger physical bodies), "lending bodies" (i.e. putting two or more consciences to a single body, similarly as this naturally takes place with "double or multiple personalities"), visiting places which physically could not be visited, temporary bringing to life people who are already dead, shifting people's conscience to machines (i.e. making these machines to think and to feel like people do), travel beyond the own times (i.e. beyond times these people lived in), and many others.

6. **Reading karma.** If we wish to know what fate is waiting for a given person, the best way to accomplish this is to read karma algorithms of this person (see also subsection 14.4). This is because karma contains the description of what is about to happen to a given person. So far we could read karma only via ESP capabilities (especially in cases of fortunetellers, augurs, and astrologists). TRI of the third generation will allow us to read these algorithms in the technical way, similarly as currently we review videos. Also the result of this reading will be more reliable and more definite than the one which we currently receive from various fortunetellers.

7. **Changing programs** in organs from our counter-bodies. Our counter-material duplicate which exists in the counter-world has various organs, which do not exist in our physical world. In order to mention some of these organs, they include: our "moral conscience"; the organ which supervises the accumulation and use of moral energy; and the organ which supervises the generation and deployment of karma. TRI of the third generation can change natural programs from these organs, and cause for example that we accept someone's else karma (thus karma of technically advanced criminals could be dumped on innocent people) or that we change the order of events caused by our karma, that we give away the zwow energy which we accumulated (in this way our zwow energy can be robbed from us by our cosmic parasites), etc.

8. **Manipulation of social moods.** This is one of the most dangerous uses of these devices, which has potentials to be misused by some despotic leaders or parasitic civilisations. In cases of such misuse these capabilities become "weapons of mass destruction". This is because TRI of the third generation will be capable of emitting signals which can alter the behaviour of whole civilisations. In this way, almost all members of society which will be subjected to manipulations of moods with the use of this device, will do whatever is the intention of the person or occupant who uses such a device. In this way for example a subconscious suggestion can be implemented in the whole society which constantly orders all people something along the lines "scoff, ridicule, and treat as your personal offence, everything that concerns UFOs", or a suggestion "you love watching fires, so start burning whatever is around you and whenever you believe that no-one can catch you on starting a new fire", or a suggestion "you hate other people and feel pleasure in killing them, so shut someone, hurt someone, or start a war". From my to-date research it appears that our cosmic parasites are constantly bombarding humanity with this type of subconscious messages, in the result forming on Earth, amongst others, the present hysteria surrounding UFOs, the fires of native forests which in 1997 and 1998 extended to a whole our planet, or waves of killings, crimes, and violence which recently are constantly rolling over our planet.

At this point I would like to remind what I already indicated in other my writings, namely that myself I strongly object of any forms of mass manipulations on people's minds, even if these mass manipulations would seem to be the most innocent (such as commercials - which lead us to believe that they are just trying to sell, while in reality which are also affecting our needs, desires, tastes, psychology, behaviour pattern, etc), or most good oriented (e.g. such as adds to not smoke or to not fall in addictions). As an inventor of these devices, and also as the first scientist who foreseen and describe these devices for other people, I can also predict that there will be very undesirable side effects after every attempt of mass manipulations on human minds. Therefore I would like to warn here that there is no such thing as only positive consequences, and that every mass use of these devices will also bring mass evil. For this

reason in my opinion these devices should never be used on a massive scale, and I strongly discourage our civilisation from any attempt to make a mass use such dangerous and hitting back technology. However, I simultaneously encourage the individual use of these devices.

#### K3.4. TRI of the fourth and higher generations

Of course, the development of TRI will not finish on the third generation. It can easily be predicted that also further generations will later come. At the time when TRI of the third generation are completed, also oscillatory chambers of the third generation capable of alterations of time, become available. Therefore the further development of these two devices will bring them together, combining in one device capabilities of both of them. This in turn will open a whole range of new applications, which will be added to applications that TRI had previously. To name here some more important of these, apart from doing all that TRI previous generations were capable to do, TRI of the fourth and further generations will additionally be able:

- Shifting the positions of surrounding objects via thoughts commands (i.e. carrying out technical telekinesis similar to the one which "psychic" Uri Geller sometime demonstrates).
- Changing the structure of selected matter via thought commands (e.g. bending spoons, disintegrating or breaking selected objects via thought commands, starting fires, etc.).
- Technical interference into the counter-world, which allows for example to materialise or dematerialise any object (i.e. capabilities which currently are demonstrated to us by "prophet" Sai Baba or by "magician" David Copperfield).
- Thought manipulations on time, e.g. changes in the speed with which time elapses, shifting time backward or forward, stopping time, etc.

Our understanding the capabilities which are opened by practical use of devices described here under the name of TRI, should let us to understand better the world around us. This is because on one hand it realises that some strange events which take place in our world may not be just products or someone's imagination, but for example actions of various spies and saboteurs of UFOonauts which were send by our cosmic parasites to mix with us and to hold back our progress. On other hand, our understanding that such devices are obtainable, and knowledge how to build them, may intensify our will to break through the blockade that our cosmic parasites imposed on the pyramid described on this monograph, and allow us to complete this pyramid. After all such a device is desperately needed not only to lift us into a higher level, but also to defend us from telepathic manipulations by our cosmic parasite.

#### K4. UFOonauts system of communication and ways of blocking it

Our knowledge of telepathysers' operation, combined with the knowledge of devices which are to be successors for telepathysers, and which are called TRI in this chapter, opens the way for our understanding the principles and devices that UFOs use for communication purposes. Various observations that were made by UFO abductees indicate that UFOonauts have some previously not understood abilities to communicate via thoughts, in an identical manner as TRI devices allow to communicate. They also can control feelings of abductees, as TRI devices do, take these abductees to special chambers existing on decks of large UFOs of K7 to K10 type, where UFOonauts display to them kind of films in which abductees can almost take active parts (i.e. to demonstration chambers), can change appearance, and do everything else that TRI devices allow their users to do. This practically means that all UFOonauts have always with them their personal TRI devices. From other UFO observations that are described in monograph [1/3], it is already known that UFOonauts have their TRI devices build as miniaturised units inserted directly into their heads. This causes that UFOonauts carry their TRI

wherever they go, and that it is impossible to strip them out of these TRI devices, for example by stripping them out from their clothes.

By now it was possible to accumulate several vital observations about these TRI devices that are used by UFOonauts. Because some of them are quite significant for initiating our self-defence from the cosmic parasite, below I am going to review the most important details. Here they are:

#1. UFOonauts carry their TRI devices surgically inserted into their heads. Most probably the area where they have them is the same area where UFO abductees have inserted their communication implants, namely between the left temple and the top of the left ear.

#2. TRI of UFOonauts, in spite of being so miniaturised that they fit into heads, are capable of performing the multitude of functions that are described in subsections K3.1 to K3.4. Thus, personal TRI devices of UFOonauts allow their owners to not only communicate directly at any distance via the exchange of thoughts in ULT language, and allow this communication to have the digital character which is prevented from unauthorised decoding, but also to communicate with all other life forms that populate universe, to send feelings and sensory expressions, to give hypnotic orders, etc. Much more information about various functions and operation of these TRI devices of UFOonauts is provided in subsection K4 of this monograph.

#3. The control over personal TRI surgically inserted into heads of UFOonauts is automatic, although in cooperation with the owner's mind. This control is very complex and includes the standard safety procedures. Thus our knowledge of these procedures can be used for the purposes of our self-defence from the cosmic parasite.

An example of such a safety procedure which is build in to TRI of UFOonauts, and thus which can be used for our self-defence, is **the protection from being stun deaf**. Generally speaking such a protection depends on switching off the transmission of telepathic signals into the user's brain, if the noise level of these signals exceeds certain threshold value. Such switching off usually is timer-controlled, and the communication is restored after around half of hour. This means that if for our self-defence we manage to produce a signal which switches off these TRI devices of UFOonauts, the effect will be that these UFOonauts must loose their capabilities to communicate with each other for around half an hour. Thus also for a half of hour they will be incapable to abduct us, to carry out their intensions, etc. From our to-date observations it is known that the ability to switch off TRI devices of UFOonauts have a telepathic noise which is induced by powerful electric sparks. Therefore, if we would like to defend yourself from, for example, being abducted, all what we need is to have in our vicinity a powerful generator of electric sparks (e.g. a Tesla coil, or a Whimshurst electrostatic machine), and whenever our UFO detectors signal that UFOonauts arrived to abduct us, we simply make this generator to produce series of electric sparks. In turn these sparks generate a telepathic noise which is sufficient to switch off their TRI devices. Of course, after TRI in UFOonauts' heads are switched off, aliens become death and dumb and therefore are unable to abduct us. So they must leave our house empty-handed.

The fact that there is a way of defending ourselves from being abducted, makes it possible to build various self-defence devices at our present level of technology. These devices could facilitate our self-defence from the cosmic parasite. A simplest of such devices would be composed of a sensitive UFO detector combined with a powerful Tesla coil. Such a device would automatically stun deaf every UFOonaut which would try to approach us.

It should be added here that TRI devices which are very similar to those implanted in heads of UFOonauts, are also implanted in heads of systematic UFO abductees (e.g. amongst others, also in heads of these people who are donors of sperm and ovule, and thus who are being abducted every three months). TRI devices which are implanted in heads of such UFO abductees are capable of performing the majority of functions which also those TRI from UFOonauts heads can do. The only difference is that implants from human heads can be controlled not by the carrier of this implant, but by an UFOonaut who is nearby. Therefore whoever has such an implant, is not able to make it work. But the implant obeys thought



commands of any UFO-nauts which comes to abduct such a person. Of course, because many people have such implants, by investigating these devices, and also by investigating safety controls which are built into them, it is possible to gradually work out further principles on which our self-defence devices can be based. So let us not waste our time, and start researching these alien devices.

#### K5. The use of telepathic waves for formation of pictures

The fact that the Concept of Dipolar Gravity revealed the existence of telepathic waves that are not known yet to our orthodox science, introduces significant technological consequences. After all, these waves propagate instantly throughout the universe, and also they can be utilised to carry out the useful information - including images. Thus, these waves allow to undertake the construction of various telepathic devices.

The most basic, and thus the most easy for constructing, group of telepathic devices, are equivalents to present radiotelephones, means devices for two-directional telepathic communication (I call them "telepathysers"). A detailed description of these devices, together with a report from developmental works to-date on their construction, is contained in treatise [7/2].

The most important out of telepathic communication devices described in treatise [7/2] has a shape of a pyramid. Therefore it is known as a "**telepathic pyramid**". The principle of operation of this device utilises the cooperation of several interesting optical components (M) and (T), electronic components (R) and (I), and telepathic components (C) and (Q), assembled inside of a transparent pyramid with a milky walls. In simple words this principle can be described as follows (the description provided below uses symbols that are illustrated in Figures K1 and K3).

The thought of every person, including also the person who holds the transmitting pyramid, manifests itself, amongst others, as vibrations of biofield of this person. In turn this vibrating biofield is interfering with the standing optical wave that is formed in the optical interference cavity - namely between cascades of mirrors (M) and the tube (T). Therefore whatever this person thinks, it is superimposed onto the optical wave that bounces between the cascades of mirrors (M) and the tube (T). In this way, thoughts of the first person, due to feedback that is formed between the biofield of this person and the optical interference cavity held in hands of that person, are modulating the oscillations of electrical currents that flow in the circuitry of the pyramid. Then these electrical currents, in the coil (C) are transformed into oscillations of magnetic field emitted by the pyramid. In turn these modulated with thoughts oscillations of the magnetic field are instigating vibrations of the counter-matter, which (the vibrations) are propagating throughout the counter-world as modulated telepathic waves (see subsection H7.1)). The second telepathic pyramid, which operates exactly on the same parameters as the first one, but is held by another person, intercepts these telepathic waves. After interception, it transforms them with the use of quartz crystal (Q) and electronic resonator circuit (R), into oscillations of the electric field, to finally turn them into flickering of the glowing tube (T), and waves of vibrations in the biofield of the receiving person. The thoughts that are carried out by these vibrations of the biofield, are superimposed on thoughts of the receiving person. Thus, this another person perceives these superimposed thoughts as thoughts which were communicated to him/her at a distance without the use of speech. Because each of two pyramids held by these two people is simultaneously performing the function of transmitter and the function of receiver (i.e. works in the "duplex" system), therefore between both people a kind of silent conversation is going on, where the communication is occurring by the means of exchange of thoughts. Two such telepathic pyramids allow two people to carry out a silent and direct exchange of thoughts with the use of analogue modulated telepathic vibrations.

### K5.1. Telepathic telescopes and microscopes

A next group of telepathic devices discussed here, is capable of intercepting telepathic waves that are emitted by a selected object, and then capable of transforming these waves into visually perceivable picture. Depending on the size of the object that these devices can observe, these devices can be called telepathic telescopes, microscopes, binoculars, etc. However, from the principle of operation they use, they all will be very similar to each other, in a manner as optical telescopes, microscopes, and binoculars are mutually similar. Because of the lack of more general name, and also for the simplification of descriptions, these universal devices are going to be called here with a general name of "**telepathic telescopes**".

The general design and components of telepathic telescopes are to be similar to that used in a wide class of optical telescopes (apart from telescopes, to this class belong binoculars, photocaleras, movie cameras, video cameras, thermovision cameras, and a wide range of various optical measuring equipment including remote thermometers, spectrometers, microscopes, etc.). After all, optical telescopes and telepathic telescopes are to utilise the same kinds of physical laws.

The design and major components of telepathic telescopes are shown in **Figure K5**. As this is the case with optical telescopes, also the telepathic telescopes are **composed** of a main **tube** (t), in which all other components are to be assembled. At the frontal part of this tube a **focusing magnetic lens** (f) is assembled. At the rear part of the same tube the **viewing magnetic lens** (v) is assembled. In centre of the tube an **electromagnetic screen** (s) is placed. The whole interior of the tube must be filled up with an **extraction glow** generating substance (g). Phenomena occurring in such a substance are described in subsection H6.1.

The **operation** of telepathic telescopes will be analogous to the operation of optical telescopes (or more specifically to the operation of old photographic cameras named "reflex photocaleras" which used to contain so-called "focusing screen"). In this operation, the focusing magnetic lens (f) is concentrating the intercepted telepathic waves and projecting them onto the electromagnetic screen (s), where these waves are later converted into a picture. This picture is then viewed by an observer who usually is looking at it through the hole in the centre of viewing magnetic lens (v), although sometimes it can also be viewed from other directions - e.g. sideways through walls of the transparent tube (t). Of course, the above is only a very brief description which will be elaborated in more details later in this text.

Before the operation of the telepathic telescope can be explained in more details, the term observed "object" needs to be introduced and explained here. By this term, which is short on purpose, in the explanations that follow we will understand not just any object, but the specific "object which is currently being observed with the use of a given telepathic telescope". Thus, depending on the telescope's current application, this "object" can be: a person, an animal, a UFO-naut, a UFO vehicle, a planet, a star, a specific organ in someone's body, a bacteria, a crystal, a molecule, an atom, an elementary particle, etc. It should be noted that, according to what the new Concept of Dipolar Gravity tells us about telepathic waves, each such "object" emits telepathic waves which have frequencies, phase shift, amplitude, and variations in time that are very characteristic to this particular "object", and therefore that can be selectively intercepted by a telepathic telescope.

The main components of the telepathic telescope perform **functions** which are crucial for our understanding of the operation of this device. Let us now discuss these functions. The **magnetic lenses** (f) and (v) are two components which have the capability of selective focusing of telepathic waves. They must also be able to tune to these particular telepathic waves which are emitted by the "object". One of many devices which can perform such functions was already discussed in subsections A2 and C1 - it was the oscillatory chamber. But because this chamber is not completed as yet, in this subsection a much simpler of such devices will be indicated, which is just a ring made of ordinary coils of wire, or as we could describe it "coreless concentric coil". If one allows a pulsating electric current to flow through such a coil, it would produce a pulsating magnetic field, the propagation of which in space

would be such that it would tend to intercept and focus telepathic waves which have the frequencies coinciding with the frequency of this field. Thus, such concentric coils of wires supplied with pulsating electric current, are devices which produce focusing impulses. In turn such focusing impulses, firstly select appropriate frequency of telepathic waves, secondly focus these waves on the electromagnetic screen. Now, if we have two such magnetic lenses, namely focusing one (f) and viewing one (v), by appropriate de-synchronization of their focusing impulses, it is possible to reject all telepathic waves except for these which are originating from the "object" that we are observing. This means that the appropriate control over pulsations of both magnetic lenses allows us to tune our telescope at any object we wish. The telepathic waves emitted by this object are focused on the **electromagnetic screen** (s). This screen is a special device, which in the discussed telescopes is going to perform the same functions as the optical screens - namely it converts beams of radiation into pictures. In the telepathic telescope, such electromagnetic screen will be composed of the following basic components: (1) the **collision surface** which is formed as a plane in which two oppositely oriented magnetic fields are colliding with each other - the first of these two fields is formed by the focusing lens (f), while the second of these two colliding fields is formed by the viewing magnetic lens (v), (2) **athwart electrostatic field** which is acting across the collision surface - this field is formed by a pair of electrodes (e), and (3) **ions of the extraction glow generating substance** (g) which are distributed along the collision surface and within the reach of athwart electrostatic field. In order to form the collision surface, across which both magnetic fields are bumping on each other, both magnetic lenses used in the telepathic telescope must be oriented with the same "O" magnetic pole towards each other ("outlet - O" magnetic pole is the one marked as S according to the cartographic notation, or as N according to the notation used in present physics), so that their fields are repelling each other. The surface along which this repelling of both fields takes place, is going to form the collision surface of the electromagnetic screen. In turn the athwart electrostatic field which is acting across this collision surface, is obtained through placing two electrodes (e), which are charged with static electricity, around the peripheral of the telescope, in the same plane in which the collision surface is positioned. In turn ions of the extraction glow generating substance (g), are obtained through filling up the hermetically closed tube (t) with some easily ionised transparent jell, liquid, or gas. The substance (g), which is used in the telepathic telescopes, must be transparent, must either contain a large quantity of ions (as some solutions do), or be susceptible to easy ionisation (as some gases do), and also must fulfil all additional requirements, such as not causing corrosion, have significantly long life, keep transparent, etc. In most simple telepathic telescopes, which can be build as our self-defence devices to see the normally invisible UFO-nauts, we can use for such a substance an ordinary solution of kitchen salt in water.

At this point the matter of **magnetic polarity** which forms the collision surface, requires a clarification. According to the new Concept of Dipolar Gravity, magnetic field is a circulating stream of counter-matter. Therefore each magnet or electromagnet can be compared to a kind of propeller, or a pump, which causes the counter-matter to rotate along closed circuits. As such, each magnet has two poles, one being an inlet (I) for the counter-matter, while the other being an outlet (O). In order to form the collision surface, both magnetic lenses must be directed towards each other with their outlets (O). But currently magnetic poles are marked with letters N and S, not as "inlet" (I) or "outlet" (O). So how one can recognise which one of them is an inlet (I), and which one is an outlet (O) for the counter-matter. Well, when comes to the Earth's magnetic field, currently the inlet (I) for counter-matter is located near the north geographic pole, while the outlet (O) - near the south geographic pole. This is why northern polar lights are "falling from sky" while southern are "raising up" - as described in subsection H5.3. This is also why the "ozone hole" firstly appears near the southern magnetic pole. So when the collision surface in telepathic telescopes is formed, both magnetic lenses must be so oriented, that their outlets (O) - i.e. these magnetic poles which represent the pole which prevails near the southern geographic pole of Earth, are facing inward towards each other.

Note that if one considers the cartographic notation of magnetic poles, i.e. the one that appears on maps, then O=S. But if one uses the notation of magnetic poles from textbooks of physics, then O=N.

The **phenomena** utilised in the operation of telepathic telescopes, causes these devices to be like a cross between a magnetic telescope (or electronic microscope), a TV screen, and a mechanism involved in glows of luminescent substances. In order to understand these phenomena better, let us remind ourselves that according to the new Concept of Dipolar Gravity every object continually emits telepathic waves which have frequencies and phase shifts that are very characteristic for this object. From the point of view of mechanisms which create these emissions, they boil down to vibrations, which exist continually on the counter-material duplicates of all objects. Because these vibrations have specific frequencies, and because these frequencies are strictly defined by physical properties of objects' counter-material duplicates, these duplicates pass their vibrations to the surrounding counter-matter, thus spreading telepathic waves. The frequency of these waves is very characteristic for objects which emit them. Of course, all similar objects emit vibrations which have approximately the same frequency. But because counter-matter have no mass or inertia, vibrations of all similar objects are not synchronised with each other. Therefore these vibrations display a random phase shift in relation to each other, even if their frequencies are the same. This small phase shift existing between subsequent objects, combined with the unique frequency of each object, causes that a telepathic telescope (or a telepathic projector) is able to exactly tune to a single and very specific object which it wishes to observe. Of course, if we deal with a large number of identical objects, for example all molecules of water in a sea, or all people on Earth, then in spite that each one of them have slightly different frequency, and slightly different phase shift, in a total number of them, there will be some cases that several of them may have almost the same frequency and almost the same phase shift. In such cases may happen that when for example a telepathic telescope (or telepathic projector) tunes exactly to one of them, the similar emissions from others may slightly spoil the communication forming kinds of additional "ghost shadows" on the screen (or causing that the same message is intercepted by a number of people).

The telepathic waves that each object emits continually, we already are able to intercept with variety of methods. For example water diviners are perceiving it as a "radiesthetic radiation" (or "water radiation"), pyramids are concentrating them in their focal points as so-called "pyramid energy", while orgone devices are accumulating them as so-called "orgone energy". These waves could be compared to a glow which every object is continually emitting, but which is invisible to our sight because it takes the form of telepathic radiation. They are propagating in straight lines outwards from the object which emits them, similarly as acoustic or electromagnetic waves do. Because they always are composed from whole bundle of componential vibrations which are separately formed by all components of a given object, the configuration and composition of this wave exactly discloses a given object, showing its shape, volume, content, structure, etc. Thus telepathic waves are carrying very accurate pictures of given objects, which are much more accurate than the ones which are carried by electromagnetic radiation. After all, telepathic waves also include all internal details of a given object. Therefore, if we are able to transform these waves that are emitted by every object, into a picture, then they will reveal to us not only how a given object looks like, but also what is inside of it, what is its state, etc. The telepathic telescopes that we are discussing here are capable of this unique transformation.

Let us now analyse the **operation** of such telescopes. When the telepathic waves which carry a picture of a given object, enter into the range of pulsating magnetic field that is produced by the focusing lens (f) of such a telescope, the magnetic field gradually brings these waves together and focuses them onto the electromagnetic screen (s). After being focused, these waves are hitting the screen (s). Because two colliding magnetic fields which form this screen (s) are pulsating exactly with the frequency and phase shift that the incoming telepathic wave has, this screen is not being hit by all other telepathic waves, which

accidentally also can be focused on it, but the frequencies of which are not coinciding with the frequency of the screen - thus allowing them pass freely through the collision surface. Therefore the screen is intercepting only those telepathic waves which originate from the object being observed, at which the telescope is tuned. The collision surface of the screen is the same obstacle for the telepathic waves, as a surface of ordinary screen in cinema is for the optical waves emitted by the movie projector. Thus the telepathic radiation which originates from the object being observed, is rapidly stopped on this screen. This means that the energy which these vibrations were carrying, wants to convert itself into a telekinetic work. Because the only substance on which this telekinetic work can be directed are molecules and ions of the extraction glow generating substance (g), which is distributed along the collision surface, this telekinetic work is transmitted onto these molecules and ions. The result is that these molecules and ions start to telekinetically vibrate according to the vibrations of the incoming telepathic wave. The direction, density, and structure of these vibrations are exactly copying these which occur in the observed object. This practically means that the way in which ions and molecules vibrate at the collision surface are the true reflection of the shape and composition of the object which emits given telepathic vibrations. However, because the extraction glow generating substance is transparent, in normal circumstances these vibrations of ions and molecules would not be visible to an outside observer who is looking at the electromagnetic screen of this telescope. In order to see these vibrations it is necessary to switch on some kind of additional phenomena which would transform this vibratory motion into some kind of glowing picture. Such a phenomena is the extraction glow. As this was already explained in subsection H6.1, the extraction glow is emitted in all situations when the telekinetic work (this means a motion which is caused by an action of the Telekinetic Effect) is carried out against some kind of external force and can be completed only if this external force is overcome. In order to induce such extraction glow in the substance which is filling up the interior of the telepathic telescope, it is sufficient that this substance is composed of a large number of electrically charged ions, and that a tension is introduced to these ions by subjecting them to the action of the athwart electrostatic field. Because the ions which the telepathic wave is trying to vibrate are tensed by this athwart electrostatic field, every motion of these ions must be carried out against this field. This means that the condition to release the extraction glow is met, and the ionised substance from inside of the telescope's tube starts to glow. Because the spacial distribution of this extraction glow copies the shape and structure of the object being observed, the final effect is that the glow is forming a picture of the object being observed. Thus if an external observer looks through the rear viewing magnetic lens (v) at the electromagnetic screen (s), he/she should see the picture of the observed object made of extraction glow. This picture will appear even if the observed object is hidden behind any imaginable wall or obstacle, or even if it is located on the other side of a planet. This is how this telescope works.

Let us now discuss the manner in which such telepathic telescope is to be **used**. In order to make such a telescope work, it needs to be pointed out in the direction of the observed object. It is not difficult, if the object is also visible visually, but can be a problem if it is hidden behind an obstacle. In some cases, for example when objects that are located on the opposite side of our planet are being observed, the telescope may need to be pointed exactly downward, towards the centre of our planet. Then the telescope needs to tune into the frequency and phase shift of the telepathic vibrations emitted by this particular object. This tuning in, depends on introduction of changes to the frequency with which both magnetic lenses pulsate. Next activity is to adjust the focus. For this the distance of the focusing (f) and viewing (v) lenses from the electromagnetic screen (s) needs to be fine tuned. After all these activities are completed, the shape of the observed object should appear on the electromagnetic screen. This shape is made of the extraction glow. At present stage of our research we only know how to produce glow which has the white colour or greenish colour. Therefore the first telepathic telescopes most probably will produce pictures which are in black

and white. But in future any colour of this glow most probably will be obtainable, therefore the future such telescopes will be able to produce colourful pictures.

From the above descriptions of the design and principles of operation of telepathic telescopes, we are able to deduce the main **properties** of these devices. Let us now summarise these properties.

1. Pictures of light that these telescopes will produce, initially will be black and white, although with the elapse of time we can develop telescopes which produce pictures in full colours. Actually the colours of pictures which such telescopes produce can indicate the technological advancement of civilisation which builds them.

2. Such telescopes will enable us to see objects which normally are invisible for us, for example individual organs inside of human bodies, objects inside of our planet, objects hidden behind suns of planets, UFO-nauts who hide from our sight, etc.

3. The range, level of magnification, focus, sensitivity, and contrast of such telescopes, will depend on the so-called "field diameter" of the focusing magnetic lens (f). The field diameter is simply a diameter of the magnetic "cone" which is formed by a given lens at the entrance to a given telescope. This diameter decides how much telepathic waves is intercepted by a given telescope and focused on the screen. Thus it is magnetic equivalent to the "lens diameter" in the optical telescopes. The larger this "field diameter" is, the more far-reaching, precise, and better contrasting a given telescope is. This means that the telescopes which have a huge focusing lens, the field of which is spreading as wide as the field of our planet, can see even very small objects which are located in distant galaxies. Thus practically very advanced civilisations, which are capable of building very large such telescopes, will be able to observe every single creature which populates any part of our universe.

4. It will allow to see not only the shape of observed objects, but also its internal composition, state, health, mutual cooperation of all components, etc. For example in case of a human, it will allow not only see the shape of subsequent organs, but also their health, state, individual components including every single muscle, bone, nerve, cell, etc., and even bacteria and microorganism that attacks it.

5. The telepathic waves that a given telescope is intercepting, not only that are carrying the picture of a given objects, and pictures of all its components, but if the object is a thinking person - also his/her thoughts, feelings, sensations, etc. Therefore the part of the telepathic waves which are intercepted by such telescopes, can be processed by a devices in treatise [7/2] described as TRI, and subjected to decoding, analysis, and conversion into thoughts or sensory signals. The effect can be that someone who is carrying out the observations by such a telescope, can not only see distant beings, but also experience what they think, what they feel, what are their sensory experiences, etc.

6. Because every atom, molecule, crystal, or object are emitting characteristic telepathic waves, by using such telescopes it is possible to determine the composition, structure, properties, and technology of production for every object that physically can be located even at the most distant planet.

7. Because substances which relate to each other, are also emitting the telepathic waves which are of similar parameters and characteristics, the telescope discussed here can also be used for detecting the location of creatures, resources, and minerals that we are seeking. Therefore, if it is set to reveal for example where are people, it will show us the location of every individual person that is present in the searched area, even if this person would hide from us behind thick barriers (similarly with animals and plants). In turn after it is set to reveal the position of gold, it will show where this gold is located, how it looks like, how is distributed, etc. Similarly on a desert, it will show where exactly are underground water reserves, how much water they carry, where is the best point to make a well, etc. Thus, in future, such telescopes will provide in a technical manner the same information which presently water diviners and radiesthetists are supplying via a subjective perception.

The telepathic telescopes will open for our civilisation the power of observations, which presently we cannot even dream about. In order to give here some indications as what can be done with these devices, let us now review major **applications** of telepathic telescopes.

(a) Observing the inhabitants of the entire universe. After such telescopes are build, we will be able to observe individual beings and living organisms which populate any planet of our universe.

(b) Visual communication with Earth from any point of the universe. From the decks of our Magnocraft that travel to other star systems, crews will be able to see for example their wives and children preoccupied with everyday activities. They will have the possibility to not only see what a given person does, but also what he/she is seeing, feeling, experiencing, and even view pictures seen with their eyes, or hear noises that are heard with their ears. It should be add here that each of the oscillatory chambers which Magnocraft use for the propelling purposes, can also be used as a focusing magnetic lens of an on-board telepathic telescope.

(c) Observation of objects normally hidden from our sight. Telepathic telescopes will allow us to see for example individual stones contained in the centre of Moon, individual organs in body of any person, individual atoms in any substance, etc. Of course, observations of any possible objects normally hidden from our sight can be carried out with them. For example, probably it will be difficult to stop curious laboratory assistants from checking what their female colleague is wearing under her coat, nosey people will be able to check what secret is hiding behind the walls of their neighbours, jealous partners may keep checking what their spouses are doing in office at late nights, not mentioning of special services which will use such telescopes to discretely check the content of our suitcases and homes.

(d) Finding objects and substances which are lost or hidden. Because each type of substance emits a characteristic telepathic waves, these telescopes will be able to find lost or hidden objects. For example, after they are set to detect gold, they will indicate where are hidden gold coins or gold deposits. In turn in all rescue missions they will turn unreplaceable in instant finding and identifying each lost person, buried worker, or hidden body.

(e) Learning at a distance of someone's thoughts and feelings. These telescopes will also enable their owners to learn at a distance what someone is thinking or feeling. Therefore they will be the basic equipment used in all spying, investigating, tracing, checking, etc.

(f) Diagnostics of illnesses. Telepathic telescopes will allow to exactly examine every organ in the body of a given patient, without opening this body, or without exposing it to any kind of radiation. It will be possible to establish not only the structure and components of this organ, but also determine its vibratory parameters, its chemical composition, its physical properties, etc. In this way such telepathic telescopes will allow for a very fast and extremely reliable diagnostics of all known illnesses. Probably, starting from the initial point of their completion, such telescopes become the primary tool of every medical doctor and every parent. With the elapse of time, after such telescopes are linked with computers, they will be transformed into automatic diagnostic tools which will be able to reliably determine the state of health of every person which is subjected to their analyses (similarly as TRI devices described in treatise [7/2] can do such diagnosis).

Probably in a manner similar as this is case with our optical instruments, also with the elapse of time a personal version of telepathic telescopes become available and widely used, which will be similar to our binoculars, and which almost everyone will have. This personal version of such telescopes will allow for almost instant finding people hidden behind walls of fallen buildings, observing animals hidden in their burrows, victims of avalanches, hidden bodies, hidden treasures, natural resources, and many more. Of course, apart from this personal version, such telescopes will also be build as huge research instruments which our scientists will use for interstellar and intergalactic observations.

The above description should be complemented with realizing that there are various indications that telepathic telescopes most probably are well known to our civilisation, only that by not knowing what is their principle of operation, we also were not able to identify them. For example in folklore, the personal versions of such telescopes are probably described as milky

crystal balls, which various witches and wizards used in order to see distant objects, which were invisible for human eyes (as this was mentioned in subsections O1 and A3, such witches and wizards were ancient equivalents to present UFO-nauts). In turn in mythology of ancient Greeks "gods" from Olympus used to have in their palace a kind of "magic pool" filled with a "magic liquid", on the surface of which was deflecting itself any person or object they wished to observe. If one analyses the properties of this "magic pool" it turns out that they well correspond to the properties of telepathic telescopes. Also mythology of New Zealand Maoris tells us about similar "magic mirrors" which were used by various heroes from stars. Of course, telepathic telescopes are very widely used by UFO-nauts which occupy us. Without them, these UFO-nauts would not be able to observe us so well in our homes, find us when they wish to abduct us, or give to us the telepathic commands when they want us to go to the unpopulated areas each time they intend to abduct us. Finally, the use of such telescopes was demonstrated to some people who were taken to planets populated by other civilisations. For example a Polish abductee, Andrzej Domala, was observing our planet via such a telescope - the description of his observation is contained in treatise [3B].

The fact that telepathic telescopes are already widely used by some cosmic civilisations that are more advanced from us, have various **implications**. Let us list here some most important of them.

I. We are always being observed by someone. Telepathic telescopes cause that it is only an illusion that we are secure in our privacy when we are hidden from curious eyes behind thick walls of hotels, or behind the coziness of our bedrooms. In fact we can, and most probably are, continually being observed, whatever we do and wherever we go. After all, with the use of such telescopes, when we think that we are surrounded with privacy, in fact large groups of curious eyes can observe every our move, and intercept every our thought, feeling, or sensation. What is more interesting, many of these curious eyes can be placed on distant planets which are not even visible from Earth, or can be suspended in spaceships the existence of which we even are not able to imagine. Therefore, independently of whether someone is being murdered, hurt, raped, or conceived, in spite that the doers think that they remain unseen, in fact they may be watched not by one pair, but by whole group of curious eyes, which are analysing not only every move, but also every thought and accompanying feeling.

II. The cosmic allies who sympathise with our fate and who were mentioned in subsection A3 as our helpers, exactly know what is happening to us. Because of the power of telepathic telescopes, and because of the capability to show us in every moment of our lives, and also because their ability to intercept each our secret thought, these our cosmic allies are capable to choose on our planet the most suitable people to whom they subsequently pass their "supplies of weapons" (via telepathic projectors which will be described in subsection K5.2 that follows). Also because of the observations they carry out with their telepathic telescopes, these our allies from stars are relatively well informed about the level of our technical advancement, about our orthodox science, about the state of our morality, about our social problems, about our laws, etc.

III. There is such thing as "universal public opinion", which our cosmic parasites must also take under account. Although this opinion probably has equally little to say about the fate of individual people on Earth, as during the World War II the world's public opinion had to say about the fate of individual prisoners of Hitler's concentration camps, however our cosmic occupants must take notice what this universal opinion says. Therefore UFO-nauts who occupy our planet cannot murder openly the inconvenient people, and must keep appearances that these people died in a "natural" manner, for example by falling victims of a cancer or any other deadly illness, being killed by an "accident" or by a natural disaster, or simply being killed by collaborators who are programmed to kill by cosmic parasites.

IV. For the advanced cosmic civilisations we do not have any secrets. With the aid of such telescopes they can examine, piece together, and find out every our technology, every our technical device, every our action, every our law, every our custom, every element of our



culture and morality, etc. There is nothing in our civilisation that they would not be able to learn about - if they wish so.

Amongst numerous applications of telepathic telescopes, the most important one is for our self-defence from the cosmic parasite. As this was already mentioned before, such telescopes will enable us to see these parasites, which presently are hidden from our eyes, and from our visual equipment, behind the barrier of invisibility. Apart of this, such telescopes will give us the strategic equality with our cosmic parasites, and in some situations even some advantage. As we know, at the moment our cosmic invaders have such devices, but we do not have them. In order to realise, how big advantage they have over us, simply because they have these telescopes, let us consider a hypothetical case of confrontation between two Earth's armies of non-equal quantity. Let us assume that one of these armies is a self-inflated army of a superpower, which is very well equipped in all types of weapons, but has no telepathic telescope. The other army is a small but well organised and equipped army of a small country, which additionally has the telepathic telescope. Therefore, whatever the army of the large superpower would decide to do, always at the end an unpleasant surprise would await, as the army of a small country would tune their telepathic telescopes at all commanding officers of their opponents, and learn exactly every tiny detail of every incoming move. So the small army would know about all moves of enemies immediately after these were conceived in heads of their commanding officers. As the result, a small army which would have such devices most probably would easily defeat the large army of a superpower. The above example is significant, because at the moment in the position of such well informed army are alien forces which occupy our planet. But when we build such devices ourselves, then we would make our chances more even.

#### K5.1.1. Revealing devices

From our defence point of view, the telepathic telescope described above is one of the most fundamental self-defence equipments. This is because such a telescope, when it is build, enables us to see our cosmic parasites which at the moment are still able to successfully hide from us behind the barrier of telekinetic invisibility. However, the telepathic telescope itself is rather a complicated device to be build at our present level of development. Fortunately, in order to see our cosmic parasites, a simplified "self-defence version" of such a telescope can be completed. This simplified version will be called here a telepathic "revealing device".

The **revealing device** is a name assigned to a whole group of instruments, the purpose of which is to show images of normally invisible UFO-nauts and their vehicles, which hide from us in the state of "telekinetic flickering" (which is described in subsection K2). Out of all such devices, the most effective will probably be simplified versions of telepathic telescopes described earlier. They will be used almost exclusively for self-defence purposes - namely to see UFO-nauts and UFO vehicles which are so close to us that we are within the range of the telekinetic field produced by their telekinetic propulsors. For example, we would use such devices to see parasites which under the protection of telekinetic invisibility entered our flats to abduct us, or to see their invisible vehicles which are hovering just near windows of our bedrooms. Therefore telepathic revealing devices which we could build in order to see our cosmic parasites, do not need to be as complicated the telepathic telescopes which are for intercepting telepathic waves, but can be simplified to intercept telekinetic fields instead (the principles involved in interception and visualisation of telekinetic fields are similar, although much simpler, to those involved in interception and visualisation of telepathic waves). This makes the design of such revealing devices much simpler - see **Figure K5**. This is because for example both their lenses (f) and (v) can produce a constant magnetic field (instead of a pulsating one), and still be able to intercept the telekinetic field of a nearby UFO-naut. Practically this means that in order to see our cosmic parasites, even permanent magnets could be used for both lenses (f) and (v), and also that the electrodes (e) which electrify the

electromagnetic screen (s) can be supplied with a constant electric potential. Furthermore, all the facilities which in the telepathic telescopes are needed to tune into the observed object, in revealing devices are not needed. Therefore, for such a self-defence application, these devices are much easier to make, and also their operation should be much more reliable, as there would be almost nothing in them to tune or to adjust.

One "supply of weapon" of our totaliztic allies from stars, that I investigated, actually contained the description of a very simple revealing device. It was so simple, that all details that were revealed to us was possible to present (and fit into) a single Figure K5. Therefore this Figure K5 actually incorporates the whole our knowledge about the revealing device that was supplied to us, and should suffice if someone attempts to build it. This "supply of weapon" was addressed to a Polish "contactee", which was contacted by a totaliztic civilisation from stars. The circumstances in which it took place are described in treatise [7B].

If someone would like to test his/her skills by attempting to build such a device, the method of completion to be used should be exactly the same as the one presented in subsection D2.6.1 of treatise [7/2] for the telepathic pyramid. Also our present knowledge of principles and phenomena involved in the operation of the revealing devices are approximately the same as our knowledge of the telepathic pyramid. So the level of difficulties in completing this self-defence device is similar to difficulties of completing the telepathic pyramid. Of course, this should not stop us from trying to turn the descriptions provided here into a working prototype.

Of course, the telepathic device shown in Figure K5 is not the only type of revealing devices possible construct. An example of other principle of operation of these devices, is contained in **stroboscopic device** that is described in subsection W5.1.

In the design and construction of telepathic revealing devices, stroboscopic devices, anti-telekinetic screens, etc., very important input data is the knowledge of frequency with which magnetic field of a UFO vehicle or a UFO-naut pulsates. As this was described in subsection U3.6, this frequency of the field of an invisible UFO, amounts to around 2500 Hz. One of the readers of my monograph accomplished a significant success and was able to determine this frequency. One day, while staying outside of house with another person just after a midnight, this reader heard that in the air a source of strange sound flies rather fast. The person that accompanied him also confirmed that hears this sound. The sound resembled, as the reader describes it, a "signal from a triggered car immobiliser". The object that produced this sound was approaching them with a constant velocity. A moment later it flown straight above their heads at relatively low altitude. Unfortunately, it was impossible to see it. So we do not know what type this UFO was (after all, each type of UFOs will generate its own frequency of pulsations, which is unique for dimensions and geometry of this type of UFOs). The reader believed that he could not see it because a dense snow was just falling down from sky. At the moment when it started to increase the distance, witnesses noted that it did NOT form the Doppler effect. The entire event lasted only around 15 to 20 seconds. When the reader described to me this event in his private correspondence, I suggested that he should try to simulate somehow the sound, that would be as close as possible to the one that he heard, and then measure what was the frequency of the source that generated this sound. By the so-called "fortunate coincident", this reader had at work an oscilloscope with the build-in generator of vibrations and a loud speaker. This was an Haemertmeter, Austria, type HM 470, analogue-digital oscilloscope, build around 1990. The frequency of the generator was regulated fluently in the range of from 100 Hz to 22 kHz, while its oscillations were sinusoidal. By simulating of sounds of different frequencies on this generator, the reader managed to determine, that the sound which was the most similar to that one that he remembered as it was emitted by a UFO, was generated for the pulsating frequency amounting to around 2500 Hz (with the accuracy amounting to around 100 Hz). On the base of that finding, in our developmental works on self-defence devices we can now assume, that the frequency of pulsations of the field of invisible UFO, most probably is at the range of around 2500 Hz.

The above should be complemented with the explanation, that my personal analyses suggest that this particular UFO was flying in the invisible for eyes state of the telekinetic flickering. Thus even if the snow does not fall, the reader or the accompanying person would not be able to see the vehicle. But the fall of snow was a very fortunate "coincident", because the particles of snow were excited by the pulsating field of this UFO into fast vibrations. Thus these were particles of snow, not a UFO, which formed the sound that was heard at that time. The emission of this sound by snow, not by the UFO (which flown completely silent), explains why it was impossible to notice the Doppler effect.

Much more luck had another reader, who analysed the unique kind of buzzing noise that was recorded by television cameras during the evaporation of WTC buildings in New York by a UFO. For WTC buildings it was established that the evaporation carried out a UFO vehicle type K6 – for more details see subsection O8.1 from volume 12 of this monograph. The simulation of this unique sound with generators of vibrations gave the frequency of the range around 3000 Hz to 3300 Hz. Therefore we can state now, that UFO vehicles of the K6 type generate magnetic field which has the frequency of pulsations at the level of 3000 to 3300 Hz. By the way, the mechanics of generation of this buzzing sound by the UFO during the evaporation of WTC buildings was identical to the described previously mechanics of generation of buzzing sounds by a UFO during snow fall. Namely the pulsating field of a UFO caused the vibrations of particles of dense dust which was formed from evaporated material of WTC buildings. In turn this vibrating dust generated the characteristic buzzing sound which later could be simulated and recreated with the use of generators of pulsating electric signals.

Very similar to revealing devices, are **UFO detecting devices**. The only difference between them depends on this that the revealing devices show images of UFO or UFO-nauts, while the detecting devices are informing us about the presence of UFOs or UFO-nauts. Until now numerous detecting devices were developed, some of which (so-called "UFO detectors") were already described in subsection U3.8. In 2000 an interesting device named "ghost detector" was described in Internet under the address <http://www.amasci.com/freenrg/ideas.html#ghost>. It was a special thermovisor based on thermosensors from liquid crystal technology. The author of this project described "ghosts" as local areas of temperature drop - this perfectly fits the present knowledge of invisible UFO-nauts hiding behind the state of telekinetic flickering. Other device named "UFO detector" was described under the Internet address <http://amasci.com/freenrg/ufoscope.html>. It consisted of a photoelement (photodiode, photoresistor, phototransistor, etc.) connected to amplifier and loudspeaker. The inventor of this device claims that depending on the origin of given light, the loudspeaker will emit different sounds, e.g. the bulb supplied from a DC source will give no sound, but supplied with AC current will emit the sound of characteristic buzzing, still a different sound will come from a fluorescent bulb, etc. He claims that the light originating from a UFO will produce unique and very characteristic sound (probably very similar to that described above for 2500 Hz of frequency).

The only problem which I can predict, concerns the testing of these revealing devices and detecting devices. Taking under account the intelligence of our cosmic parasites, and their knowledge of the future, it is almost certain that when the first prototype is ready to be tested, surely our cosmic parasites will avoid approaching the person who completed it, thus trying to make the testing impossible. But even this can be overcome, and on many different ways. One of these ways is described in subsection U3.8 of this monograph, on the occasion of discussion of ordinary remote controller for TVs being used as a UFO detector. When we have such a remote controller, and it indicates that an invisible UFO vehicle is just in our home, we can direct at this UFO our prototype of the revealing device. In this manner we are able to test the operation of this device. Of course, when we later publish an information about this device (if possible anonymously, so that UFO-nauts are unable to trace who constructed it and then prevent the accomplishing this construction through shifting time backward and piling obstacles impossible for overcoming on the path of this constructor), no details should be provided when and how it was tested, so that it is made for UFO-nauts impossible to shift time

backwards and to invalidate this test. Another manner of testing that can be used for revealing devices, depends on the fact, that presently we already know various occasions, which are always attended by our parasites from UFOs. Thus we know where we can meet them, so probably we are able to trick them and still test our devices. (These occasions include all main public events - e.g. all UFO conferences, openings of Olympiad, public masses of pope, religious festivals, important religious celebrations, markets, concerts of famous groups, important matches, important political events, street demonstrations, street fights, battles, areas of catastrophes, etc.) For example, as this is explained in subsection O8.1, at the time of evaporation of WTC skyscrapers in New York, near these skyscrapers numerous UFO vehicles were filmed. Thus, most probably we are able to outwit crews of these vehicles and still test our revealing devices (under condition, however, that we later do not disclose, when and where we tested these devices - because in such case UFO-nauts would shift time backward and make this testing impossible).

#### K5.1.2. How our cosmic parasites look like

When our first self-defence devices become operational, one of the developments which is going to emerge from this, is that finally we will be able to see our cosmic parasites (i.e. to see UFO-nauts which occupy our planet). Before we complete such a device, they are able to hide from us very effectively, but after we build one, the revealing device, or a telepathic telescope, will show them to us even if they try to keep hiding. So what type of creatures we should expect to see with our revealing devices or telepathic telescopes. Well, from the to-date research it appears that there are numerous races of UFO-nauts involved in our exploitation. The race which is benefiting the most from our biological resources, and therefore which probably is going to appear in the majority of cases, is that of our relatives - i.e. the "Adamic race" of humans, only that originating from planets different than Earth. They will look like the rest of us, and apart from the fact that they have all this advanced technology and normally are able to hide from us, there will be no visible difference between us and them. But apart from this main race of our parasites, there will be also several other races. In spite that there is a lot of encounters between humans and these other races of UFO-nauts, actually we almost do not know how they look like. The most of pictures which we see in UFO books, are actually pictures of costumes and facial masks that they are wearing, not pictures of their true images. Surprisingly, the best (although rather sparse) images of these UFO-nauts originate not from the present literature on UFOs, but from old sources. This is because in the folklore of old times they were very well known - except that they used to be called "devils" not UFO-nauts, and also because in old times they did not use facial masks to disguise themselves. So if we would like to know how these other races of UFO-nauts look like, we need to have a look at "official portraits of devils".

Although we used to believe that everyone who is famous must also be shown on numerous portraits, there are some exceptions from this rule. For example it is commonly known that present UFO-nauts, all supernatural beings from Islamic religion, and also "devils" from the European culture, are not presented on almost any pictures. Because of these exceptions, similarly as this is the case with present UFO-nauts, also in European folklore old "devils" almost do not have any "official portraits". The fact that these old "devils" did not like to appear on "portraits", in the same way as our present UFO-nauts do not like being photographed, is rather a strange phenomenon. After all "devils" occupy not only the large proportion of our religious thoughts, but they are also present in our everyday life. For example we swear using them, tell proverbs about them, compare people to them, and even name various objects and features after them (e.g. we have devil sausages, devil fire starters, and countless devil names in our geography). On top of all this, in medieval times millions of people were burned on stakes and subjected to tortures for conspiring, or for getting in touch, with "devils". But contrary to this enormous influence of "devils" on our lives, actually there is

rather sparse information how "devils" used to look like. I did some research on the matter, trying to find "official portraits of devils". By such "portraits" I understand pictures or sculptures of devils, made by these people who claimed to see devils, or by folk artists who based their work on descriptions of someone who supposedly saw a devil. I excluded from my considerations as "official portraits of devils" all pictures or sculptures by famous artists. This is because famous artists had well-paid orders to paint them, and therefore they employed their imagination to invent something enough ugly and enough evil to be convincing at a painting. After excluding all such "imaginary images", so far I come up with only following "official portraits of devils" still in existence on our planet:

1. **A sculpture of a "devil" located in the Malbork castle in Poland.** In medieval times Malbork was the capitol of Teutonic Knights (i.e. one of numerous branches of Crusader Monk-Knights). The sculpture of this "devil" is located in the Malbork's High Castle - namely in the oldest part of that castle which is dated at around XIV century. It is formed as an architectonic element named "corbel", and it is around 25 cm in height. The interesting detail of this sculpture is that it illustrates a "devil" during the flight. The creature flies with its legs being crossed, in exactly the same manner as the "magician" David Copperfield demonstrated it to us during his famous flight through the Great Canyon in the USA.

2. **A sculpture showing hands and head of a "devil", located above the ambon inside the (Catholic) church in Rabczyce in Slovakia.** This Slovakian devil is illustrated when it emerges from the underground. Its head is around 30 cm high, while hands are spread at around 120 cm. The appearance of this "devil" well corresponds with descriptions of "devilish UFO-nauts" (i.e. these ones which have horns on heads). Amongst other UFO cases, such UFO-nauts supposedly were captured alive in Brazil in 1996. The sculpture has "dogs" type of ears, slanted, large eyes, enlarged chick bones, horns, and a very long tang. The tang of this race is so long that after being extended from the mouth, without any difficulty it allows to lick the creatures' own nipples.

3. **A large painting of a "devil" located in the Catholic church in Orawce near Jablonka (along the road route Chyzne-Krakow) in Poland.** It is dated at around XVII-XVIII century.

4. **A sculpture of "devil" from the church in Witkowice, Poland** (2 km from Ropczyce). The sculpture shows a small being, in appearance similar to a human, but with dog's ears, large eyes, and high (sticking out) cheek bones. Probably it was carved when the church was built around 1760.

5. **A famous sculpture of "devil" located in Madrid, Spain.** It is erected on the square named "Glorieta de la Sardana" which is located in the park named "Parque del Retiro".

6. **Small figurines (sculptures) of "devils" from the cathedral of Notre Dame in Paris.**

If we think about this, actually "devils" managed to saturate our culture and religion so intensely that they are more prominent in our daily lives than leaders of our countries are. Only that true images and portraits of our leaders and monarchs are present everywhere: in TV news, newspapers, magazines, books, and even on walls of governmental buildings. But, shockingly, if one wishes to see how these omnipresent "devils" look like, there are almost no pictures available to see them. My personal opinion is that this strange absence of "official portraits of devils" represents one of the most unusual paradoxes of our civilisation, which can be explained only if we accept the fact that these creatures are manipulating our minds so that we do not made their portraits and thus also do not have opportunity to show to others how they look like.

K5.2. Telepathic projectors and two-directional visual communication at intergalactic distances

From our present optical telescopes we know well that the principle of operation that these devices are using can be utilised in both directions. Actually the possibility of building a reverse device to every technical device which we know how it operates, seems to be one of the most major laws of our universe (see DeBroglie's principle described in subsection H6.1). For example, to every electric motor a corresponding electric generator can be constructed, for every engine a corresponding pump can be made, for every TV camera appropriate TV receiver can also be build, for every sawing machine a suitable unpick machine can be constructed, etc. Therefore, after we learned how a telepathic telescopes are going to operate, it is also possible to predict the operation of telepathic projectors. In such projectors, the focusing magnetic lens (f), which in telescopes serves the reception of incoming telepathic waves, would additionally serve the emission of similar pictures into the space. All what is needed for such an operation, is to place on the electromagnetic screen (s) of the telescope, an additional component which would form a required emission of telepathic waves. In turn when such waves would be created along the electromagnetic screen (s), then the focusing lens (f) would broadcast these waves into space. The simplest possible manner of causing such emission, would be to place along the collision surface some kind of antenna which is emitting telepathic waves, for example the antenna which is used in the telepathyser described in subsection K2.3. Of course, as soon as our knowledge of the electromagnetic screens starts to increase, we will surely build a screen, which will convert into a telepathic picture any optical or electronic picture that we would project onto the collision surface. Such a screen will be able to project in space any picture that we may conceive. Therefore telepathic projectors which will be supplied in such additional capability of their electromagnetic screens, will be able not only to receive telepathic pictures, but also to send such pictures back. Because such more advanced telescopes will operate as a combination of today's telescopes and today's projectors, they will be called here the "**telepathic projectors**". Their main property is that they allow for two-directional telepathic communication involving pictures, namely they will receive pictures together with all accompanying information, and also they will be able to send such pictures and the accompanying information.

If a telepathic image which is projected from such a device has an analogue form, that is directly perceivable by the receiving brain, and also if the power of this image is sufficiently high, then (according to what was explained in subsection D3.2 of treatise [7/2] - when demonstration chambers and reproducers of sensations were discussed), such an image must induce a picture directly in the receiving brain. Furthermore, such a receiving brain will also perceive all thoughts, feelings, sensory experiences, and hypnotic commands that are to be broadcasted together with such an image. Therefore, because of the principle of operation utilised in telepathic projectors, they practically are a remote version of devices which in subsection D3.2 of treatise [7/2] were described under the name of "demonstration chambers". With the aid of these projectors, everything that was possible in such demonstration chambers, will also be possible at interstellar or intergalactic distances.

In order to tune into the mind of a selected recipient, every telepathic projector must simultaneously act as a telepathic telescope. Note that in case of optical devices, projectors usually are not simultaneously used as telescopes. However, in order to work properly, every optical projector must also be able to serve as a telescope - if someone would like to use it that way.

The use of these advanced communication devices which will be capable of intercepting and projecting telepathic pictures and all accompanying information, will enable us to carry out telepathic conversations at interstellar and intergalactic distances. During the conversations only one party needs to have such devices, while another party, will be able to send and receive all pictures solely with the "naked brain". The result will be that any civilisation which has such device, independently how far from Earth it lives, will be able to communicate with a selected person on our planet, not only sending to this person whatever information it wishes, but also receiving back all that this person thinks, feels, hears, experiences, etc.

All properties of such "conversation" that is carried out at interstellar distances, indicate that the telepathic pyramid presented in subsection K2.1 was sent to us just in such a manner. Also the telekinetic influenzmaschine mentioned here in subsection K2.3, and also in monograph [6/2], was passed to us in that manner. Similarly, the telepathic revealing device for our self-defence, described in subsection K5.1.1, and in treatise [7B], was given to us in that manner. Therefore at this point it should be emphasised, that the invention of the telepathic projectors described here, combined with the evidence that such devices were used to pass to us technical devices that our civilisation would not be able to invent at the present level of our development, is a hard evidence that interstellar contacts with other civilisations in fact do take place. Only that these contacts are carried out on much more advanced level of technology than the limited imagination of creators of CETI can comprehend. Pity that, because of the manipulations on minds of our orthodox scientists (which by the way, are carried out by our cosmic parasites also with the use of telepathic projectors), our scientists are not willing to accept the fact that such communication does exist and is quite common. Such unwillingness of orthodox scientists causes that the majority of precious knowledge, which is passed to us by our totaliztic allies from stars, is continually wasted.

The two-directional telepathic image devices, which are described here as "telepathic projectors", introduce enormous **capabilities** to the civilisation which masters their production and use. Here is a list of the most important of such capabilities.

I. Elimination of distance limits, which could affect the telepathic conversations. With the use of these devices two beings can communicate with each other even if they are located at opposite sides of the universe.

II. Elimination of limits resulting from differences of technological levels, or equipment available. One of the sides which is communicating via these projectors do not need to have any device. This means that a primitive civilisation, such as humanity is currently, which does not have as yet any telepathic projectors, can communicate with very advanced civilisations which already have these projectors. Furthermore, on the same principle the rescuers who have this device can communicate with buried miners who do not have such a device.

III. Elimination of limits on the means of communication. Telepathic projectors enable us not only to send and to receive pictures (including motion pictures like these in our cinemas), but also send and receive thoughts, feelings, smells, sensory experiences, hypnotic commands, and many more.

IV. Formation of two drastically different means of communication with aliens, namely physical communication and telepathic communication. So far we used to believe that we can effectively communicate with aliens only if they arrive to Earth, or when we arrive to their planet. However, it turned out that for various reasons, for example because a free access to Earth is cut off evil parasites that exploit humanity, some civilisations have chosen to communicate with us at intergalactic distances without arriving to Earth physically.

Of course, as this is always the case with physical devices, also the telepathic projectors have their drawbacks and limitations. I intend to explain here also these, as their knowledge allows us to understand better some implications of the use of such devices.

A. Possibility of eavesdropping. During the communication at interstellar or intergalactic distances, the telepathic beam projected by such devices in some circumstances will have the diameter which exceeds not only the size of Earth, but even the size of whole our solar system. Therefore whoever will be in the range of this beam, and will have in his/her disposal a telepathic telescope, will be able to hear the message. This has a special significance in our circumstances, when a distant civilisation tries to help us, while an oppressive occupant is here to intercept the help message and to counteract it. The result is that whenever such a message is sent to us, our cosmic parasite immediately reacts by taking appropriate action to make impossible our use of this message.

B. Many additional recipients. The process of tuning a telepathic projector into the mind of a receiving person is carried out by a precise selection of frequency of vibrations, and phase shift. However, because there are over 6 billion people on Earth, and thus the same

number of different frequencies, apart from the main addressee, always several additional people receives the message. In the effect each "supply of weapon" that is send to us by our totaliztic allies from stars, is intercepted not only by the person who is chosen to receive it, but also by numerous other people. This quite clearly took place in case of the telepathic pyramid described in subsection K2, as there was several people on Earth who actually claimed that they intercepted the same message (about one of them Mrs Daniela Giordano writes in subsection C11 of treatise [7/2]).

C. Good chances for imposters. Because telepathic projectors have such enormous range, practically everyone is able to pretend to be the opposite side. In this manner, for example UFOonauts who presently occupy our planet and exploit humanity, can pretend to be our cosmic allies, and to pass to selected people various false information which sounds highly scientific, but which actually is a complete rubbish. Practically, it is my experience, that a significant proportion of so-called "contactees" receive such false information that originates from evil parasites (although I know also many "contactees" who receive correct knowledge from our totaliztic allies from stars).

There is enormous range of various **applications** that telepathic projectors can fill up. It is impossible to list here all these applications. Therefore I will concentrate on indicating only the most important of them.

1. Communication at any distances, including interstellar and intergalactic ones. When we develop such devices, we will be able to communicate with any inhabitants of our universe, even with ones who do not have these devices yet.

2. Communication with beings who are physically cut out from us. As this was explained earlier, warships of our cosmic parasites who currently occupy Earth, cut us completely out from physical contacts with other cosmic civilisations. Therefore the only way these other civilisations could contact us, is via this type of devices.

3. Communication with people who are cut from the rest of us. For example future victims of collapses of mines, avalanches, sunken submarines, cave explorations and mountain climbing which went wrong, etc., can be easily contacted via these devices, independently what equipment they have with them.

4. Communication with people who are not able to communicate. For example unconscious divers, or people with very infectious diseases, can be contacted via these devices. Also free animals which roam wilderness can be contacted in the same way.

5. Forced one-way communication with beings who refuse to communicate. If someone refuses a verbal communication, these devices still enable us to communicate with them at a distance.

6. Issuing telepathic commands, suggestions, etc. For example UFOonauts who currently occupy our planet use these kinds of devices for ordering people to leave homes and to go towards unpopulated areas, where they can be abducted without anyone seeing it. Also our politicians and scientists can be ordered with such devices to not allow them get involved in UFO research, to support only wrong or disastrous ideas and projects, etc. Furthermore, the majority of these terrible things that collaborators are doing to those who act against UFO interests, are programmed in minds of the human traitors via this type of devices. In my opinion this device is also responsible for all difficulties which I am experiencing each time I try to investigate any of UFO-related mysteries of New Zealand. Because UFOs continually manipulate human minds via such devices, carrying out research aimed at investigating any of alien-related facts is like trying to retrieve gold coins by diving into a pond infested with crocodiles.

7. Manipulation of views of whole societies and civilisations. If such a projector is placed on a satellite, and beams toward Earth a continuous message of the type "Scoff and ridicule everything that concerns UFOs", all people who easily can be suggested, will fall victims of that telepathic command.

8. Healing and inducing illnesses. Many illnesses, for example cancer, depend on fact that the counter-material duplicates of sick organs have wrong frequencies and phase shifts of



vibrations. Because of this property of some illnesses, they can be both, induced and healed simply by subjecting counter-material duplicates of these organs to appropriate, correcting vibrations. Practically this means that devices such as telepathic projectors, which emit very powerful telepathic vibrations, are capable to heal people who are sick with these types of vibrations, or to induce selected sicknesses in healthy people. To make it worse, such devices can act at any distances, thus a healing or causing sickness can be induced by someone who physically is located on a distant star system. It should be noted that this manner of getting rid of inconvenient people is widely used by our cosmic parasites, as described in subsection W4. One of the methods of assassination that UFO-nauts use, is to induce sickness in people via such telepathic projectors. Of course there is a whole range of health problems that can be induced in that manner. Although cancer probably is the most deadly, and the most effective of them, other illnesses also can be induced. For example to this category belong allergies, irritations, and also all illnesses which are self-infective when the immune system of a given person is down (immune system can be put down very easily by the action of such projectors emitting a destructive telepathic noise). Also various illnesses which change physical properties of components of our bodies can be induced that way. These include eyes cataract, or osteoporosis, for the induction of which the properties of some components of human bodies can be changed in a manner similar as psychokinesis changes properties of metals in bend spoons (e.g. for causing eye cataracts, eye lenses can be made milky). In case of eye cataract I already encountered a situation when it was definitely inflicted by UFOs - see the case of Evan Hansen described in subsection W4. Also various health problems based on phenomena similar to osteoporosis, such as spine pains, disk dislocations, various forms of rheumatism, etc., about which we know that they can be inflicted in that manner by UFOs, seem to especially like attacking the constructive UFO investigators. Thus, if someone is very close to completion of the telepathic pyramid, or is threatening UFO interests on Earth in any other way, should bear in mind that he/she could also be close to getting very sick in a mysterious and rapid manner (I was myself neutralized in that manner during the completion of this monograph, when I had a very bad lungs infection, stomach problems, and also prolonged pains in my spine - these artificially imposed health problems are described in subsection E2 of monograph [8]).

It should be noted that our civilisation is continually confronted with effects of use of telepathic projectors. An excellent present-day example of such use is the telepathic pyramid described in subsection K2 of this monograph. Actually, although Mrs Daniela Giordano does not realise this, this pyramid was passed to her via such telepathic projector, from a very distant planetary system which is currently occupied by a totalistic civilisation which sympathises with the doomed fate of humanity. Also other "supplies of weapon" described in subsection K2.3.1, which we received from the same cosmic ally, were sent to us with the use of such telepathic projectors. Our enemies, the parasitic civilisations which currently occupy our planet, also use such projectors. Amongst many other applications, they utilise these devices for sending confusing and misleading messages to some people, usually from the group of "UFO contactees". Although numerous contactees communicate with our real cosmic allies (i.e. with ones who sent us the description of the telepathic pyramid), some of them are exploited by our cosmic parasites (UFO-nauts) to undermine credibility of real "supplies of weapon". Fortunately cases of such false contactees can be identified, as the messages which they receive only sound very scientific, but are lacking specific solutions, are very vague, and also are contradictive to natural laws. In historic times the use of such devices also took place. For example the majority of visions, which were experienced by various religious figures and political activists (e.g. by Joanne D'Arc), were actually formed by telepathic projectors. Thus, in spite that we did not know the operation of these projectors, continually throughout the ages we were experiencing effects of their use on us.

It cannot be hidden that similarly as it is the case with telepathic telescopes, also telepathic projectors will have enormous significance for our self-defence from the cosmic parasites. On one hand our mastery of such devices will enable us to communicate to our

oppressors various ideas which are also good for us. On other hand they will realize that not all ideas which various people have, are their own, and that some more destructive of them most probably are induced by our cosmic parasites. In order to give here some illustration, as to what strategic advantage the possession of such device may have, let us return to the hypothetical situation of a small army struggling with a huge army, which was described at the end of subsection K5.1. If in such a hypothetical situation, the small army also has telepathic projectors in its disposal, then these devices would allow to put directly into heads of commanding officers of the big army, various ideas which would turn disastrous to them. The effect would be that the commanding officers of the huge army would conceive thoughts, about which they would believe that these are their own, but which in fact would be send directly to their heads by the small army. These ideas would lead the large army from one disaster to another. Of course, the above example is not provided here only to suggest that small armies should equip themselves with telepathic projectors. It is here in order to realise that giving such disastrous ideas, is the way how our cosmic parasites from UFOs operate. These disastrous ideas not only are manipulating our orthodox science into such illogical claims as that UFOs do not exists, that the theory of relativity is the best thing after sliced bread, and that everything should be shaved with "Occam's razor", but also lead our governments, societies, religions, and morality from one disaster into other. Really, it is about a time we woke up!

#### K6. Devices which intercept nature's telepathic vibrations

As this is explained in subsection H7.1, all substances, objects, and phenomena, cause the formation and emission of natural telepathic vibrations. These vibrations subsequently propagate through the universe, carrying in them all information that may be needed by someone about a given substance, object, or phenomena. Various people have natural capabilities to intercept these telepathic waves, and to read information contained in them. In this manner such talented people are able to e.g. find locations of underground water and natural minerals, - as this is done by radiesthesia described in subsection H7.2. Other people also sensitive to these telepathic vibrations, are able to e.g. intercept from them information about illnesses that trouble someone, and to give correct diagnoses for these illnesses - as this is done by healers described in subsection I7. In turn animals are even capable of intercepting telepathic waves of incoming earthquakes. For example in Japan a special type of aquarium fish is kept, which with their behaviour always indicate an incoming earthquake.

Since natural telepathic waves emitted by all substances, objects, and phenomena, can be intercepted and read by people and by animals, they can also be intercepted and processed by technical devices. After all, everything that a man or an animal is able to accomplish, also an appropriate machine is able to do. Therefore it is completely normal to expect, that in future people are going to build machines that are going to intercept and process natural telepathic vibrations. One of such futuristic machines is the telepathic telescope described previously in subsection K5.1. So it is worth to remember, that it is also possible to build many further such technical devices.

In the large universe there is a totaliztic civilisation, which for centuries is helping humanity in our struggle for freedom from UFO-nauts that occupy us. This civilisation helps us through synthesizing and sending to us ideas of very simple technical devices, the operation of which significantly exceeds the current level of human science and technology (for example, which utilise telepathic vibrations - which still remain unknown to our orthodox science, or which utilise the phenomenon of technical telekinesis). By inspiring us with these advanced technical devices to find out their principle of operation, this civilisation in a totaliztic manner stimulates the progress of humanity. Such devices as: (1) the telepathic pyramid described in subsection K2, (2) the revealing device described in subsection K5.1.1, and also (3) the telekinetic influenzmaschine described in subsection K2.3.1, are given to our civilisation just

by these totaliztic allies from space. I personally was investigating several telepathic transmissions from this civilisation - e.g. see treatises [7/2], Polish [7B], and subsection K2.3.1 from this monograph. It can be deduced, although historic sources would never reveal it, that also the Chinese technical genius named Zhang Heng, whose device I am describing in next subsection K6.1, was inspired telepathically by this totaliztic civilisation from space. This civilisation most probably convinced him to construct his device on the basis of precise instructions that they send him telepathically. His instructions were probably very similar to these ones received telepathically by Daniela Giordano for the purpose of building the telepathic pyramid - as they are described by Mrs Giordano in treatise [7/2]. After all, when Zhang Heng's device appeared on Earth in 132 AD, it forerun the state of human science and technology by around 2000 years. This is because it utilised telepathic waves for detecting incoming earthquakes. (Telepathic waves remain unknown to human orthodox science even today.) Until today this device remains the only technical instrument on Earth, which is able to detect an incoming earthquake **before** this earthquake arrives and before it spreads a destruction. (Notice that all types of seismographs of present orthodox science, are able to detect and to measure an incoming earthquake only **after** it arrived and after it initiated a destruction.) So let us learn now how this wonder device of Zhang Heng really worked.

#### K6.1. An alarming device for detecting incoming earthquakes

**#1. Earthquakes detected in advance are less dangerous.** Seismic activities of our planet are on the increase lately. Every year thousands of people die or loose their most precious possessions only because an earthquake catches them in a dangerous place or during a defenceless sleep. Our present orthodox science is powerless towards earthquakes, because it does not know a principle on which earthquakes could be detected **before** they strike. The reason is that our only present earthquake detecting instruments, the so-called "seismographs" work on principles of inertia. Therefore, in order for them to indicate an earthquake, they actually need to be shaken by it. Only when they are shaken by an earthquake, their inertial component moves in relationship to the chase, thus indicating that an earthquake actually took place. But for people this is already too late for an escape. In order to save lives, earthquake detectors must be able to start an alarm a significant time in advance, before a given earthquake strikes. Only then people would be able to escape from a danger zone and salvage their most precious possessions. This subsection describes just such an earthquake detector, which warns in advance about an incoming disaster.

**#2. Ancient "chi" (i.e. "telepathic waves") provide a principle for an early detection of incoming earthquakes.** Ancient Chinese mastered an exceptional knowledge of phenomena they called "chi". (These phenomena are also known in other cultures. For example Japanese call it "reiki", Indians call it "vrii", Europeans call it "energy of pyramids", Australian and New Zealanders call it "vibes", etc.) The knowledge of "chi" was on such an advanced level in ancient China, that even today people constantly draw from it. To be worse, present orthodox science still has not established yet, and shows no slightest interest in establishing, what this "chi" actually is. Therefore at the moment our only knowledge of "chi" originates from ancient Chinese manuscripts. Fortunately, I did my own research on "chi". Some of my conclusions are described in subsections H2 and H7.1 of this monograph [1/4]. According to my findings, the term "chi" was used by ancient Chinese for describing an entire body of different phenomena that occur in the counter-world. They include, amongst others, phenomena which in this monograph [1/4] are described with such terms as: telepathic waves (see subsection H7.1), moral energy (see subsection I4.3), life energy (see subsection I5.6), and the thinking substance called counter-matter (see subsection I2). Out of these different components of "chi", the most interesting from the point of view of earthquakes are telepathic waves. The reason is that telepathic waves are actually equivalents of sounds, only that they propagate in the counter-world. As such, they are produced continually by every object and by

every process. But their tone, and thus also the message that they carry in themselves, depends on the process to which a given object is subjected. Therefore, when an earthquake begins, these telepathic "sounds" are spreading a very unique "noise" which actually is telling to everyone who listens, that an earthquake is just brewing up and that it strikes soon. So far only animals and very special people called "psychic" were able to intercept this telepathic message from an incoming earthquake. It is about a time we build a technical device which is also able to do so.

**#3. What actually telepathic waves are.** Behaviours and attributes of these telepathic waves were described by a discipline of knowledge of ancient Chinese, called "feng shui" (see subsection H7.1), or "**hou feng**". Actually "feng shui", or "hou feng", is simply a body of knowledge which summarises natural laws that govern the deflection, concentration, screening, and medical impact of telepathic waves. The most interesting attribute of "telepathic waves" is, that an extremely powerful burst of these waves is emitted by epicentre of every earthquake just when this earthquake is about to happen. Therefore this burst of telepathic waves can be utilised as a principle of early detection of earthquakes. It can provide an advanced warning about these earthquakes, a long time before they strike. This principle is actually used in the earthquake alarming device that I am describing in this subsection.

Because our orthodox science does not explain what these telepathic waves are (or "houfeng"), I better summarise here some basic information about them. For a complete understanding what they are, I would recommend to read chapter H from this monograph [1/4], which describes the so-called "Concept of Dipolar Gravity", and especially read subsection H7.1 - which for a better understanding should be proceeded with reading the introduction to chapter H, up to subsection H3 inclusively.) For the purpose of the device described in this subsection, it is sufficient to take my word, that telepathic waves can be explained as a kind of counter-material waves similar to sound from our world, which: (1) propagate infinitively fast, (2) every object is transparent for them, therefore they penetrate easily through even such huge objects as Earth or Sun, (3) are partially deflected by every surface, (4) are constantly emitted by every phenomena and every object, and carry in themselves a complete information about this phenomena or object, and (5) can be intercepted and decoded by plants, animals, people, and also technical devices.

**#4. A seismograph working on "chi".** Actually there was a seismograph already build and operated in ancient China, which utilised "chi" for the detecting of earthquakes long in advance before they strike. The principle of this seismograph was so designed, that it reacted on this burst of powerful telepathic waves ("chi") that is produced by epicentre of every earthquake just before this earthquake is to strike. This wonder ancient device which detects incoming earthquakes in advance and raises early warning alarms, is shown in **Figure K6**. It was build in 132 AD by a Chinese genius mathematician and astronomer, named Zhang Heng. Therefore presently it is known by a trivial English name of the **Zhang Heng seismograph**. But the original Chinese name for it, was much more meaningful. It read "houfeng didong yì" which usually is translated as "the instrument for inquiring into the wind and earth movement". Notice however, that the segment "hou feng" of this name specifically refers to the telepathic waves. This segment actually indicates that the movements of Chinese "chi" was detected by this device. Unfortunately, in present days the Chinese term "hou feng" is erroneously translated as "winds", while it should be translated as "chi" or even better as "telepathic waves". Thus this ancient Chinese name of the device directly highlights that it operated on telepathic waves (i.e. "houfeng"), not on forces of inertia. Descriptions of this wonder device can be found in internet if the key words "Zhang Heng seismograph" are being typed for key words of a search engine. A half-size replica of this device made of copper was given to New Zealand by the People's Government of Beijing Municipality. Probably the gift took into account that New Zealand is frequently plagued by earthquakes. This replica is around 1.5 metre tall, while the widest diameter of its barrel-shaped chamber is almost 1 metre. It weighs full 600 kg. In 2003 this replica was on the exhibition for public viewing in the museum named "Te Papa" (Our Place), which is located in Wellington - the capitol of New Zealand, only a few

kilometres from the flat that I occupied in 2003. This replica is shown on the photograph from Figure K6.

**#5. The life history of Zhang Heng is quite extraordinary.** Zhang Heng (sometimes also spelled "Chang Heng") lived from 72 AD to 139 AD, during reign of the Eastern Han dynasty. The most of his life he spend in the capitol city Luoyang (present Nanyang city) of Henan province of China. In the last stage of his life he used to be even the Minister in charge of historical records for the Emperor, although it is known that he turned down many important posts that were offered to him. To our present understanding, he was an extraordinary person. Although his official occupation was mathematics and astronomy, his real interests were in morality, philosophy, and mysteries. (Means, he was like an ancient version of me.) He wrote descriptions, which reveal that in our present terminology he could be called an "aware UFO abductee". For example, he described his own travel through cosmos, other planets, and cosmic landscapes, thus suggesting that he actually could have seen and remembered them. (E.g. he wrote "Heaven is like an umbrella, earth like an upturned dish", or "I looked back and saw the sun and the moon revolving".) In 132 AD he build a seismograph discussed here. This device was one of the technical wonders of our planet. Even today it foreruns the state of present orthodox science and technology by at least 100 years. But no technical documentation of his device survived until today. I personally believe that such design documentation existed, but was later purposely destroyed. Fortunately for us, those who destroyed this documentation, overlooked a single short section of laymen descriptions as to how his device looked like, and what were outcomes of the operation of it. This description is recorded in Zhang Heng's biography from the "Hou Han shu" - meaning the "History of the Later Han Dynasty". His seismograph was so sensitive, that it detected an earthquake which on 1 March 138 AD destroyed the city of Longxi from western Gansu Province. This city was distant by about 500 kilometres from the device. Physical shockwaves from this earthquake were undetectable for people living in Luoyang - this is why initially, just after the seismograph loudly alarmed everyone about this distant earthquake, Zhang Heng was accused of being a liar, while his device was suspected of being a fraud. Fortunately two days later horseback messengers with news of this earthquake arrived to Luoyang, thus confirming the correct and highly sensitive operation of the device.

After Zhang Heng died in 139 AD, there was no one who could maintain and "fine tune" this device. So it fell into misuse and soon stopped to work. Subsequently it was shifted to the graveyard of Zhang Heng in Luoyang, Henan Province. It remained in the Zhang Heng grave until it was destroyed several hundred years later by Mongols. It was firstly reconstructed by a Japanese scholar in 1875. In 1951 a Chinese researcher, Mr Wang Zhenduo reconstructed it again according to inertial model which in his opinion this device utilised in operation. His replica of the device was later exhibited for public view in "Beijing Observatory - Tien Ven Tai", in Beijing, China. Further replicas were also made. The half-size replica of this device given to Te Papa museum in New Zealand is said to be the first instance of a Chinese-made replica being exhibited overseas.

**#6. I research the Zhang Heng's seismograph since 1993.** I learned about the existence and operation of this wonder device in 1993, from my Chinese friends living in Malaysia. This happened soon after I took my professorial position at the University Malaya in Kuala Lumpur. Since that time I sporadically managed to collect various sparse information which were available on this device. This allowed me to study its principles of operation. However, I managed to photograph and to fully describe this device only in 2003, when I accidentally bumped onto it in Wellington. In order to see this unique device in action, to investigate it, and to photography it, at some stage I even intended to privately fly to China. Unfortunately I was prevented from undertaking such a trip by the lack of address of the location in which the original of this device could be seen. Now I know that the reason why it was so difficult to establish this address, is simply that the original device was destroyed a long time ago. So I delayed this trip because I had insufficient funds to seek this location only after I arrive to China. But as it can be seen, "since Mohammed could not come to the

mountain, the mountain come to Mohammed". (Or, should I say: "since Pajak could not come to the seismograph, the seismograph come to Pajak".) In March 2003 unexpectedly for myself, and just by a pure chance, I found this device in museum in Wellington, means in city in which I lived then. Of course, I immediately photographed it and subjected to detailed operational analysis. By the end of October 2003 I already had the real operation of this device worked out, and described in the content of this subsection. Highly useful for this working out turned out to be my previous knowledge that I accumulated about the operation of this device. This is because in the exhibition from Wellington only a misleading explanation for the operation of this device is provided. This explanation bases exclusively on the application of forces of inertia. For example, in order to support this inertial explanation, such a key information regarding this device was conveniently not mentioned, as that it actually is a fountain. On the other hand, the absolutely vital condition of the real operation of this device explained below, is that the telepathically modulated streams of water must flow through mouths of eight dragons. This means that the device could not work without water, and that this convenient "not mentioning" about water, distorts completely our understanding of the principles of operation that it applies.

**#7. Seismograph's shape and cooperation of components.** The earthquake alarming device discussed here takes a shape of a fountain. In this fountain water that flows out of it, is firstly gathered and calmed down in an axially-symmetrical resonance chamber cast of the finest bronze and shaped like a barrel, or a vast wine vat (jar), with a domed lid. The chamber's widest diameter is eight ancient Chinese feet, means around 1.9 meter. It is almost 3 meters tall. Water inside of the chamber is intercepted by inlets of eight outgoing pipes. These inlets surround the vertical axis of the device. Then water flows by these pipes into mouths of eight stylised dragons located around the largest peripheral of the barrel. In order to minimise friction and increase the reliability of this device, interior of the mouth of each dragon is gold-plated. In mouth of each dragon a loose metal "pearl" is placed. I repeat here the name "pearl", because the original Chinese mythology states, that dragons like to carry pearls in their mouths. Therefore metal balls that are placed in mouths of eight dragons from the device discussed here, by Chinese are called "pearls". But practically these are just ordinary spheres made of metal resistant to corrosion - according to my information originally made of gold-plated bronze. After washing these "pearls" around, water flows out of dragons' mouths and arches down to open mouths of bronze frogs located under each dragon. These frogs are so designed, that practically they act as bronze bells. So if onto any of them a "pearl" falls from dragon's mouth above, this frog produces a loud sound of bell ringing. This sound of bell is sufficiently loud and clear, that it attracts attention of all people around, and initiates an alarm. According to historic records, the sound of dropping pearl was loud enough to wake the Emperors' entire household, alerting them to the incoming earthquake. Because the alarm is always initiated in advance, it gave a time advantage to everyone to escape from the danger zone. However, in normal cases these "pearls" are staying in mouths of dragons and do not make any noise. In order to regulate precisely the force that is necessary for water to pull a given "pearl" from the dragon's mouth, the degree of closing and slanting of this mouth is subjected to the "fine tuning" via a system of leavers controlled with the vertical rod placed in the centre of the chamber. Therefore only when an actual earthquake approaches, this one "pearl" which is located on the side of the incoming earthquake, falls down from the dragon's mouth to mouth of a frog, and rings loudly for alarm. After starting the alarm, the stream of water pointing into the direction of an incoming earthquake keeps a turbulent flow and shoots at a distance larger than usual. By judging the distance at which it shoots, and the intensity of turbulency of the flow, the destructive power of an incoming earthquake can easily be estimated. Also the fine tuning of the dragons' mouths allows to regulate the device exactly, so that only earthquakes above a specific threshold power are able to trigger the required alarm.

**#8. Principle of operation of the seismograph.** The principle of operation of the earthquake alarming device discussed here is based on the capability of the barrel-shaped resonance chamber of this fountain to reflect and to focus telepathic waves. Each earthquake

induces a powerful burst of telepathic waves of a high amplitude. These waves with infinitive speed propagate concentrically along straight lines radiating from the epicentre of the earthquake. They arrive instantly to every point on earth, to which the slow waving of the ground that originates from this earthquake is going to arrive only after some time. Thus the telepathic waves arrive significantly in advance to the areas which later are going to be destroyed by a given earthquake. Amongst others, these telepathic waves also penetrate through the barrel-shaped resonance chamber of the fountain. A part of them is deflected from the inner surface of the barrel, similarly like waves of sound reflect from a concave shell. Because of the barrel-shaped cavity of the fountain, and also because of the appropriate location of holes in pipes through which water is pouring out to mouths of dragons, these deflected telepathic waves are focused just on the water that enters mouth of a selected dragon. After it is focused on this water that flows out, these waves change character of the flow. In normal case, water flows through mouths of dragons in a manner that the discipline of hydromechanics describes as a "laminar flow". This flow is only possible when water in a given dish is stationary, and when it flows out in a manner completely undisturbed. The **laminar flow** is characterised by a very low coefficient of friction, and thus also by a low drag of the flowing water. So this water is unable to drag with itself, and to throw out, these "pearls" that it washes in dragons' mouths. But if a powerful burst of telepathic waves is focused on a given outlet of water, these waves change the character of the flow of water. From a "laminar flow", this water transforms into a "turbulent flow". The discipline of hydromechanics states, that a **turbulent flow** is characterised by a very high coefficient of friction, and thus also by a high drag. So water which displays such a turbulent flow and flows around a given "pearl", drags this "pearl" with it, and throws this pearl into the mouth of a frog located below. Via such mechanism of changes in character of the water's flow, modulated by telepathic waves focused by the parabolic resonance chamber of this fountain, the fountain effectively performs functions of an anti-earthquake alarming device.

**#9. Erroneous inertial explanation of this seismograph.** The above explanation of the real principle of operation of this device, must also be complemented with the information, that only one such device was ever build by Zhang Heng. Soon after his death in 139 AD the device stopped to work. Some time later it was shifted to his tomb. Finally it was destroyed when Mongols override China. Also blueprints for the original design of this device have disappeared. The only information about it that survived until our times are descriptions and external drawings done by laymen who saw it in operation. So presently we are facing a challenge of reinventing this wonder device from a very beginning. Starting from 19th century, on the basis of these inept descriptions, various people tried to reconstruct this wonder device (or, more strictly, reinvent it from the scratch). One of them was an Englishman named Dr John Milne, who himself was an inventor and builder of an inertial seismograph. He suggested that the Zhang Heng's device works on inertia forces, means very similar to his own inertial seismograph. Most probably Dr Milne took control rods which are used for steering the degree of opening and slanting of dragons' mouths, for rods which mechanically release the drop of "pearls". Dr Milne's ideas were later followed by others, in this way reinforcing the inertial explanation for this device, and disseminating this explanation throughout the world. In 1951 Mr Wang Zhenduo reconstructed this device just on this assumption that it works on principles of inertia forces. Since then all replicas of this device, including the one that is exhibited in New Zealand, are reconstructed according to the wrong Wang Zhenduo's inertial model (or Dr John Milne's inertial principles). Unfortunately, this wrong inertial explanation of present orthodox scientists does not reveal the true capabilities of this wonder device. In addition it introduces a lot of confusion.

**#10. Why Zhang Heng's seismograph could not work on inertia.** Actually there is a wealth of evidence and logical premises, which clearly indicate that the telepathic earthquake detector discussed here operated on the principle of "chi" (means "telepathic waves"), not on principles of inertia, and thus that the current inertial explanation of this operation promoted by orthodox science is totally wrong. Let us list here the most important items of such evidence:

**#10a. The shape.** It is extremely difficult and very expensive to form the parabolic mirror shape that the resonance chamber of this earthquake detector displays. After all, the vertical cross section through this chamber follows a precise parabolic curve of cross sections through present TV satellite dishes. Much easier and cheaper would be to form this chamber just as a plain cylinder, or even as a square box. Of course, for inertial seismograph the cylinder shape with straight vertical walls, or even a square box shape, would suffice for a chase to protect mechanism inside. (Even easier would be to build this device completely without any chamber and water - means in a manner as this is done with our modern inertial seismographs.) But for a telepathic detector the shape must be just as it is shown in Figure K6. This is because it must work as concave mirrors which focus telepathic waves onto inlets to pipes that flow water to dragons' mouths.

**#10b. Work as a fountain.** If this device works just on principle of inertia, then water inside of it would only create problems. So for an inertial operation, it would not need to be build as a fountain. This is why present inertial explanations conveniently "forget" to even mention water and the work of this device as a fountain. But water and the operation as a fountain is absolutely necessary for the interception of telepathic waves.

**#10c. The out-flowing water intake at the central axis of this fountain.** As this is indicated by old Chinese illustrations, water which was flowing out from mouths of subsequent dragons, was supplied to these mouths with long pipes the inlets to which were placed just by the central vertical axis of the device. Of course, in the technical sense such design would make no sense unless it was dictated by the principle of operation of this device. After all, mouths of dragons were attached to side walls of the resonance chamber in which this water was accumulated. So in order to supply water to these mouths, it was enough to make holes in these walls and no long supply pipes were needed. But these pipes become absolutely necessary if the device works on telepathic waves ("chi"). Then these waves are focused on the central axis of the device. Means that in order to intercept water which was modulated by these telepathic waves, it is necessary to use such long pipes that run radially outwards from the central axis of the device towards mouths of subsequent dragons.

**#10d. The location of mouths of dragons approximately half-height of the resonance chamber.** Such height of their location makes no sense neither from the point of view of the operation of this device as an inertial seismograph, nor operation as a fountain. Namely in order to maximise the sensitivity of triggering the leavers in case this device works as an inertial seismograph with the "standing" positioning of the inertial pendulum, the mouths of dragons should be located near the top of the resonance chamber. Such their location would also make all control and maintenance activities on the triggering mechanism much easier, as this would enable a free access of the maintenance people to these mechanisms. In turn, if this device is a fountain with an inertial mechanism inside, then the outflow of water would be most powerful if the mouths of dragons are located by the basis of the device, while the pendulum is placed in the "hanging" position suspended at the top of the resonance chamber. After all, placing the mouths of dragons at half-height of the resonance chamber causes only, that for the fountain a lower half of this chamber remains a dead space completely unused for the increase of pressure of out-flowing water. In case, however, when this device works on "chi", then the placement of mouths of dragons at half-height of this chamber makes a perfect sense. After all, then the walls of the resonance chamber are performing the function of concave parabolic mirrors, which focus telepathic waves just around a half-height of this chamber. So it is there where inlets to pipes that intercept water modulated by these waves must be placed.

**#10e. "Chi".** The ancient Chinese name of this device includes the word "houfeng". This clearly indicates that "chi" (means "telepathic waves") were intentionally acknowledged as being utilised in the operation of this device. Also Zhang Heng himself was actually more familiar with properties of telepathic waves than with inertial forces and vibrations. After all, there is a wealth of written evidence that during his times telepathic waves were well known as components of "chi". For example, until today his native province Henan is



a leader in the tradition of practical utilisation of chi, and the famous school of "kung-fu" Buddhist monks from Shaolin is still operating in Henan (more about extraordinary capabilities of kung-fu masters from Shaolin is explained in subsection JB3.3). But there is almost no evidence that people of his times were familiar with inertia forces and with mechanical vibrations to the extent that is needed to build an inertial seismograph. Therefore, for him was much more feasible to utilise "chi" in the operation of his device, than to utilise forces of "inertia" and mechanical vibrations of the ground.

**#10f. The symmetry.** Mechanical vibrations are always symmetrical. So if one considers the operation of present inertial seismographs, their inertial component always makes symmetrical oscillations in relationship to their chase. This is excellently shown in present seismographs, in which the line being drawn always deflects symmetrically in both directions from the equilibrium position. This means that if the inertial component slants by value "x" in one direction, it also slants by almost the same value "x" in an opposite direction. In case if the earthquake detector discussed here works on the inertial principle, such symmetrical slanting would also need to appear. Practically this means, that after a shockwave arrived to the device, two balls from two opposite sides of the device should fall down, not just one. The first ball would fall down when the earthquake's shockwaves slant the inertial component into one direction, while the ball on the opposite side would fall when the inertial component would symmetrically swing into an opposite direction. In turn the operation of this device on principles of "chi" (means "telepathic waves") - as described before, would cause only a single ball to fall down from a single dragon mouth. And actually historic records clearly indicate, that always only one ball was falling down. This confirms that the device surely worked on principles of telepathic waves, and thus it always throw down only a single ball.

**#10g. Audio alarm.** The Zhang Heng seismograph was producing audio alarm - this is why it used the bronze frogs which emitted a loud sound of like bell ringing. But if this device works on inertia, it would produce an alarm only when a given earthquake shook it. Of course, in such a case the sonic alarm would make no sense, because it would be accompanied by well visible manifestations and sounds of an earthquake, such as collapsing of buildings, falling down and shifting of furniture, detaching and falling down of hanging objects, wobbling of floor and ceiling, etc. So the only justification for the use of audio alarm was, that this alarm was raised a significant time **before** a given earthquake strikes. This means that the device must operate on principles of "chi".

**#10h. Sensitivity.** As historic sources document this, original Zhang Heng seismograph was very sensitive. Actually it detected earthquakes, the epicentre of which was distant by around 500 kilometres, while the tremors of which were undetectable for people. In turn the principle of operation of present inertial replicas is so formulated, that in order for them to work, an earthquake would need to have an epicentre just under them, while tremors would need to be so powerful that heads of dragons would fall off from them. Actually until writing this paragraph near half of November 2003, I managed to establish the location and details for around 10 apparently "exact" inertial replicas of this device held in various museums and institutions of the world. But so far I have not discovered even a single one such an inertial device, which would actually work in practice and really indicate earthquakes, although about all of these replicas it is claimed that they are "accurate" copies of the original device. All the existing replicas of this device are only ornamental copies which try to imitate the external appearance of this device, and which claim, that have a working inertial mechanism inside of them. But none of these inertial replicas actually works. On the basis of my knowledge of the principle of operation of the inertial lever mechanism proposed for this device, I am personally convinced, that it is NOT possible for this mechanism to be enough sensitive to detect an earthquake which is not noticeable for people. We also must remember, that the sensitivity of such a lever mechanism would be additionally decreased due to the work in water, and thus due to a fast progress of corrosion in joints of levers.

To summarise the above, an inertial explanation of present orthodox scientists for the operation of this telepathic device is totally wrong. It was deduced in a theoretical manner, without any consideration for realities of the operation of this wonder device. Furthermore, this theoretical explanation was never tested in actual operation, and results that it would yield in practice were never compared with historic records. Thus, this inertial explanation is only good on paper, would never work, and the only aspect that it truly imitates is the shape of the original device. As such, it devaluates and puts down the real value of this extraordinary telepathic instrument. The true explanation for this device is hidden in the utilisation of telepathic waves stemming from the knowledge of "chi" ("houfeng") by ancient Chinese.

**#11. The Zhang Heng seismograph foreruns present orthodox science by at least 100 years.** Although present orthodox science is so proud of its accomplishments, actually the alarming device described above build in 132 AD, foreruns it in the technical advancement by at least 100 years. This number of 100 years results from my estimations, that the present orthodox science needs at least further 50 years in order to accept the existence of telepathic waves. Then it needs further at least 30 years to learn these waves sufficiently to develop methods of their technical utilisation. Finally it still needs at least around 20 further years to design, test, and fine tune a technical device similar to that described above.

But the good news is, that this lengthily process could be cut short to only around 5 to 10 years, if we right now accept the fact that the Zhang Heng seismograph actually worked on telepathic waves ("houfeng"), and simply start our learning of technical telepathy from constructing a modern equivalent for this wonder of ancient technology.

**#12. What we should do now, when the true operation of this wonder device is finally known.** The telepathic seismograph described above introduces a capability of saving countless lives and preventing countless losses of most precious possessions, because it raises alarm before an approaching earthquake gets them. Furthermore, it displays enormous commercial potentials. For example, if this device is available in shops, and the price of it is comparable to prices of present smoke alarms, it is sure that it would be purchased by almost every household. After all, every year our planet is becoming seismically active increasingly more. So everyone for sure would like to have in his/her house a device, which would raise alarm of an incoming earthquake sufficiently long in advance to allow for an effective escape. Therefore now, when the real principle of operation of this wonder device is revealed, there is about a time that appropriate institutions find financial means to design and to build modern equivalents of it. We need to roll up our sleeves, translate the principle of operation of this device into our present level of technology, and run an industrial production of thousands of such devices. In such a way this wonder device finally starts to serve for the benefit of each single human being and the entire humanity. After all, so far this ancient Chinese device remains the only one on our planet, which is able to alarm about an approaching earthquake much earlier **before** this earthquake arrives, and before it inflicts damages.

**#13. How to build a present version of this seismograph.** The original version of the seismograph discussed here, combined two different principles of operation in a single operational device. The first of these was the principle on which the warning about an incoming earthquake was intercepted. This principle boils down to decoding of information that are carried out in the powerful outburst of telepathic waves which are generated by an incoming earthquake. The second principle contained in the device discussed here, is the conversion of information brought by telepathic waves into some form of alarm that would be noticeable by people. In case of the discussed seismograph, this conversion depended on the modulation of flowing water with telepathic waves. But in case when this device is to be constructed presently, both above principles of operation can be significantly improved and modernised. Instead of using water, which in present circumstances would significantly decrease the usability and portability of this device, electronic signals and computerised data processing could be used. Therefore in present times this device could be build as a kind of **"computerised information system"**, in which telepathic signals would be intercepted electronically, in turn the conversion of these signals into warnings would be carried out by

appropriate software contained in the processor of a miniature computer. Such a design will introduce several additional benefits, which were impossible to be accomplished in the original device. Let us list here at least the most important of these benefits:

**#13a. Miniaturization and portability.** Such a computerised information system for early warnings about an incoming earthquake can be constructed as a completely portable device, similar to e.g. present "smoke alarms". After appropriate miniaturisation it probably will be possible to incorporate it into cellular telephones, so that every person will be able to carry it all the time. In this way, it will alarm every person separately, indicating from which direction a given earthquake comes, what the power of it is going to be, and how much time is left to escape.

**#13b. Precision of information.** The principle of operation of this device, combined with the present state of our knowledge and technology, allows for further improvements to be done on it. For example, present computer systems allow for a precise decoding of information that is contained in telepathic waves. This in turn allows the present equivalents of this device to estimate the precise distance to the epicentre of a given earthquake, and thus to estimate also the time we have for an escape. Furthermore, the computer analysis of characteristics of incoming telepathic waves allows to determine the precise force of an incoming earthquake, thus it warns what we should expect from a given earthquake.

**#13c. Any desired form of alarm.** The shaping of this device into a form of a computerised information system allows to give any character to the alarm that it raises. Thus, independently from a sound alarm that would wake up people at nights, present version of this device may raise a vibratory alarm - means they may start to vibrate in the pocket of a carrying person like present cellular phones. They also are able to send the alarm signal on miniature screens, informing visually about the direction of an incoming earthquake, about the destructive power of it, and also about time left to escape.

**#13d. Universal operation.** When such a telepathic detection system is working, it actually can be used not only for Earth. For example, if one directs a large parabolic antenna at any heavenly body nearby, it could also provide information about earthquakes occurring on that particular body. In this way, e.g. astronomers could use such a device for monitoring earthquakes on all planets of our solar system.

**#14. Design of present equivalent of Zhang Heng seismograph.** On the current level of our knowledge, we already are able to describe what the design and operation of the present equivalent of the discussed telepathic seismograph is going to be. And so, it must have some kind of surfaces which are to focus telepathic waves. These surfaces may either take the form of a parabolic resonance chamber - like the one in the original seismograph of Zhang Heng, or a system of dishes similar to that used in present satellite TV antennas - directed in several different sides. In focal points of these surfaces, sensors of telepathic waves must be placed. Most probably functions of these sensors may perform appropriate industrial quartz crystals, such as these discussed in subsection K2.3. But it is also possible to use optical resonance cavities described in subsection K2.5 of this monograph, or ampoules of solution of salt in distilled water described in subsection K1. From these telepathic sensors, the signal about an incoming earthquake is going to be send to a computer microprocessor via an analogue-digital convertor. In the microprocessor it is going to be processed by appropriate information system, which subjects it to identification, analysis, and which on the basis of it is going to generate an alarm signal send to a selected alarming device.

## K7. Final comment

All devices described in this chapter have a huge inspirational meaning. For example, the telepathic pyramid from subsection K2, the revealing device from subsection B5.1.1, and also the earthquake alarming device from subsection K6.1, they all indicate an entire array of

principles of operation, which human inventors may now utilise effectively for building their telepathic devices. Due to the inspiration and pointing out into the right direction, these devices indicate practical ways on which telepathic waves and technical telekinesis may be harvested for benefit of individual people and the entire humanity.

Knowing about the devices already identified and described in this chapter, it is worth to look now around for further devices given to humanity by the same totalistic civilisation. After all, learning the principles of these devices is to inspire a faster progress of humanity.

This chapter revealed also that only in the narrow area of technical utilisation of telepathic waves, our cosmic parasites from UFOs are blocking the development of several extremely important classes of devices. UFO-nauts make difficult the life of people who originally develop these devices, then they spread doubts in users about the correct work of these devices, they prevent building further copies of these devices, and finally - after the original builders die, UFO-nauts thoroughly destroy both, the design documentation and the devices themselves. Exactly the same scenario UFO-nauts repeat then for every other such advanced device. (For example, exactly the same fate that in the distant past experienced Zhang Heng's device, currently is also experienced by the famous Swiss "Thesta-Distatica" described in subsection K2.3.1.) In this way UFO-nauts try to hold back the mass production of these advanced devices on Earth. So it does not seem to matter that each of these devices can easily be build at our present level of development, each is operating on principles that are already described in this monograph, and each is immensely vital for the progress of our civilisation. UFO-nauts surrounds these devices with such powerful blockades, that practically there is no way to develop the serial production of these on Earth. Similar total blockades are also taking place in all other strategic areas of our technical development, including applications of telekinesis, free energy, magnetic field production (i.e. oscillatory chambers), magnetically propelled vehicles, and many others. This illustrates how tight our blockade is, and how evil are intentions of UFO-nauts that occupy Earth. In turn realizing all this should prompt us for initiating a self-defence which, amongst others, should concentrate on our breaking through blockades that separate us from this advanced knowledge.

From my to-date observations it appears that in our circumstances the gaining of knowledge can be compared to the tiresome effort of climbing a rope from a dark cellar into the light and happiness. At the beginning someone throws us this rope and makes sure that the end is within the reach of our hands. But then it is dependent exclusively upon our own decision if we begin this climbing, and if we find in ourselves the sufficient amount of motivation, will, perseverance, dedication, courage, and faith to get to the heights to which this rope can guide us.

Chapter KB:**UTILISATION OF PERMANENT TELEKINETISATION OF SUBSTANCES**

In subsection H8.1 a permanent telekinetisation of matter is defined in the following manner: "**telekinetisation** is a process of assuming by a given substance of attributes that characterise a telekinetic motion, then subsequent maintaining these attributes for long periods of time". According to this definition, telekinetisation is a relatively permanent state, into which any substance can be subjected, i.e. both the material and counter-material components of this substance. But it should be noted, that telekinetised substances, contrary to substances that are magnetised, do not show in themselves, or around themselves, the presence of any field of a magnetic or telekinetic type.

Substances that are permanently telekinetised introduce a huge potential for various practical applications. This chapter presents review of several most important such applications. Furthermore, it addresses some practical problems that are connected with such applications.

KB1. Methods of permanent telekinetisation

At this stage several techniques of practical telekinetisation are already identified. Three most simple of them include: (1) telekinetisation via the Telekinetic Effect - i.e. by subjecting a given substance to the action of this effect, (2) telekinetisation via resonance - i.e. by instigating the resonance of particles of the telekinetised substance with telepathic vibrations that propagate through the counter-matter, and (3) telekinetisation via induction - i.e. by mixing substances which are to be telekinetised, with substances which are already telekinetised (e.g. with substances called "oscillants" in subsection H8.1).

**#1. Telekinetisation with the Telekinetic Effect.** It forms a kind of telekinetisation, which biologically and healthwise is the most beneficial. Means it activates growth and health, increases the gaining of weight, heals, etc. Unfortunately, sometimes it also causes the appearance of gigantic mutations of living organisms. Most frequently this telekinetisation depends on placing a sample designated for telekinetisation in the range of magnetic field the force lines of which are somehow accelerated or/and decelerated. A simplest manner would be to e.g. place a substance to be telekinetised around a strong magnet, and subsequently rotate the magnet and the substance with a high rotational velocity. The axis of rotation must not coincide with the magnetic axis of the field though. Thus, the principle of telekinetisation in such manner is similar to the one utilized in N-Machine described in subsection K2.2. Other method, developed and utilized by the late Werner Kropp and widely utilised in his factory of unorthodox pharmaceuticals, depends on a rapid displacement of ampoules with the telekinetised substance along a curvilinear trajectory which crushes into a strong magnetic field. Of course, the secret in this method lies in the trajectory, which must be appropriately designed so as to induce the non-balanced vector of acceleration and form a correct type of telekinetic vibrations.

The most common examples of substances telekinetised in this manner are all substances lost or dropped from UFO vehicles, the description of which is contained in subsection O5.4. These include so-called "angel's hair", "onion charcoal", and liquid tin that drips from UFOs. Also all substances telekinetised by invisible UFO vehicles which raided our houses and which are described in subsection U3.6, are telekinetised in this manner. Finally substances that are left on Earth in the result of the telekinetic pollution of the environment by UFOs described in subsection KB4, also eventuate in such a manner.

**#2. Telekinetisation via resonance.** This method boils down to the placement of a telekinetised substance in a focus point of a shape which concentrates telepathic waves, e.g. in a pyramid. In this point telepathic waves propagating in counter-matter are enough concentrated to induce telekinetic vibrations. Pyramids represent one of several well-known geometrical shapes which are capable of focusing and concentrating such waves, although other shapes are not so effective. (E.g. another such a shape is the resonance chamber for the detector of earthquakes described in subsection K6.1.) The best for applications discussed here is a stepped American pyramid, because it cuts out from the spectrum of telepathic waves being focused, these ones which have destructive effects, and thus which telekinetise a given substance with undesirable type of oscillations.

**#3. Telekinetisation via induction.** This technique requires obtaining in advance another substance which is already telekinetised, e.g. a sample of telekinetised water, and then mixing both substances together. There is a special kind of substances which display a natural tendency to telekinetise themselves. These are just perfect for such applications, as they always are already telekinetised. I call them "**oscillants**". Apart from a natural tendency to self-telekinetisation, these substances have also a tendency to remain permanently telekinetised for any period of time. Thus in nature they always appear in a telekinetised state. As such, they display a number of unusual attributes, which our present science is not able to explain and justify on the basis of the old concept of monopolar gravity. As examples of substances which belong to this category of "oscillants", can be pointed out a "white powder" described in subsection H8.1, "mica" described in the further part of this chapter, or extremely dangerous "asbestos" which unfortunately is permanently telekinetised with vibrations that are exceptionally detrimental for human health. If such oscillants are mixed with any other substances, the other substances also become telekinetised via induction. For example if small doses of white powder described above are given to ill people for consumption, they may telekinetise their bodies. This in turn may cause the telekinetic healing occurring independently of what type of illness was diagnosed. The result of such telekinetic healing would be similar to the one obtained via application of human telekinesis generated by healers. (But it is worth to remember, that in case of inappropriate type of vibrations, this may also cause effects opposite to healing - means it can cause a telekinetic degeneration with consequences similar to subjecting ourselves to telepathic vibrations popularly known as "negative green". Therefore two kinds of oscillants do exist, namely (1) stimulative and (2) degenerative. For example "asbestos" is a degenerative oscillant. If "asbestos" is given to people, its destructive vibrations would kill them soon.)

## KB2. Telekinetic farming

From times of my first encounters with the shocking effects of biological activeness of the Telekinetic Effect, I was constantly thinking how the effects of life-giving telekinesis turn into the intensification of the production of food on Earth. In this manner an idea of the "telekinetic farming" was gradually clarifying in my mind. The first illustrations of the enormous potentials of this new method of food production, were giving me the measurements of the growth of grass and other vegetation, that I completed on former landings of telekinetic UFO vehicles (i.e. landings of UFOs of the second or third generation - see descriptions of these two generations of UFOs provided in subsection M6 of this monograph). Results of these measurements I presented in item 5.2 from subsection G2.2 of monograph [5/3]. According to these my first measurements, grass and other vegetation that grow in areas strongly telekinetised by UFOs, were showing up to 12 times faster and higher growth, than identical vegetation that grows in areas distant just by a few centimetres from these affected by the telekinetic field of UFO vehicles. But otherwise to the cases of using mineral fertilisers or growth hormones, such vegetation

that was telekinetically stimulated by propulsors of UFO vehicles, was growing proportionally, showing greater than in the surrounding vegetation strength, stiffness, and resistance to bending of their stems. It also demonstrated higher health, vitality and natural resistance to illnesses and insects than the surrounding vegetation. The 12 times higher speed and strength of growth displayed also measurements completed by Russian researchers on the former area of UFO explosion in Tunguska, Siberia - see item #D1 in subsection I1 of monograph [5/3]. In New Zealand, i.e. the country which was swept by a powerful telekinetic flash during the explosion of UFO vehicles in Tapanui in 1178 AD, even today - means over 800 years after the moment of telekinetisation of the environment in New Zealand, still oaks and pine trees grow around 5 times faster than in Europe (see item #D1 in chapter H of monograph [5/3]). (Descriptions of Tapanui explosion are presented in all monographs from series [5], and in subsection O5.2 of this monograph [1/4].) In turn people who were born and grown in New Zealand, according to my estimates are around 10% more heavy and more athletic than people of the same race born in Europe or in Asia. The above my observations suggest, that the implementation of the idea of telekinetic farming, in case of vegetation it can bring as much as 12 times higher yield, practically without any mineral fertilisers, chemicals, growth hormones, or genetic engineering, but only in return for planting this vegetation in a telekinetised environment.

The reason which so-far was holding back the practical implementation of the idea of telekinetic farming, depended on the initial lack of knowledge how to telekinetise effectively the environment in which the telekinetic farming of vegetation would take place. After all, presently we do not have such efficient sources of telekinetic field, as propulsors of telekinetic Magnocraft (described in subsection K1 of this monograph), or propulsors of telekinetic UFOs. The lacking hint as to how accomplish this telekinetising of the environment, I accidentally received during the analysis of mysteries of Tiwanaku empire that occupied the highland plateau, which currently lies on the area of present Bolivia in the South America (see subsection D2 of monograph [5/3]). The puzzling findings archaeological from this area revealed, that in spite of a harsh climate, and very poor soil, in years that proceeded the Tapanui explosion of 1178 AD, this empire developed an impressive culture and a high standard of living. The basis for the existence and wealth of this empire, was a very efficient farming, based on the irrigational watering of vegetation exclusively with water that flown through focal points of numerous stony pyramids that were erected by this empire. This water was then distributed into fields via the system of canals, which always began in such a stony pyramid. The irrigation channels of this empire were placed so densely, that vegetation planted in their vicinity was watered exclusively with water that flown through these stony pyramids. Unfortunately, soon after the explosion in Tapanui of 1178 AD, the Tiwanaku Empire fell down. Signs of the drought that unexpectedly prevailed in their previously fertile highland plateau, are visible even today. This drought scorched their plants, dried their fields, forced people that survived to give human sacrifices to bribe the hostile gods, etc. From the picture of situation that presently emerges, I deduced that the direct reason for the fall down of this empire was a rapid break in the watering of their plants with water that flown through focal points of their stone pyramids. This break was caused by changes in sources and directions of flow of streams, that cut through their high plateau.

The above historic conclusion about reasons for the raise and fell down of the Tiwanaku empire, had for me a huge inspiring significance. In connection with my knowledge about biological activity of telekinetic field, and telekinetic activeness of telepathic vibrations (see subsection H7.1), it allowed me to develop a practical way of implementing "telekinetic farming". This means, that the fate of Tiwanaku empire realised to me, that a practical implementation of telekinetic farming, in a simplest case requires only the watering of plants (or animals) with water which was permanently saturated with telekinetic field (means which is permanently telekinetised as described in subsection

H8.1). In turn this water, in living organisms that absorb it, activates telekinetically many biological processes that are unachievable in any other way, such as the synthesis of elements and compounds that are lacking in these organisms, as the intensification of the force and speed of growth, as self-elimination of imperfections, as the resistance to illnesses, increase of resistance to changes of temperature and to frost, etc.

Of course, according to what was explained in subsection JE9.3, the telekinetic intensification of growth can be accomplished only in these living organisms, the evolution of which took place in gravitation other than the gravitation of Earth. The border value of this increase is described by the equation (1JE9.3). The reason is that the telekinetic increase of size, involves a mechanism that triggers the program of growth which is formed in the counter-body of a given organism, and which depends on the gravitation of a planet on which this growth takes place. (E.g. in people this program makes possible to grow to the gigantic heights of around 5 meters.) But because, according to what is explained in subsections JE9.1, A3, and V3, almost all living organisms were brought to Earth from a planet of a higher gravity from ours, thus practically almost all living organisms on Earth are prone to the telekinetic stimulation of growth.

According to my research concerning landings of UFOs of the second generation (described in subsection K3), telekinetic farming, in case of growth of plants, should give at least several times higher yield of crops. During the most effective and complete implementation of this farming, such increase of yield may reach the level of 12 times higher than normal. Of course, practical level of this increase depends on: (1) the efficiency of telekinetisation of the environment in which given plants grow, or more strictly on the level of saturation with telekinetic field of all the ingredients that vegetation cultivated in this manner is going to absorb, (2) the percentage of telekinetised ingredients (e.g. water) to non-telekinetised ingredients absorbed by this vegetation (means ingredients that originate from non-telekinetised soil and air), (3) the manner of telekinetisation (i.e. axial, transverse, torsional, rotational, etc. - see subsection H8.1), and also on (4) the susceptibility of given plants on the telekinetic stimulation of growth. But the cultivation of plants with the use of telekinetic farming does not require fertile soil, full scale mineral base, fertilisers, nor chemicals, hormones, pesticides, or genetic engineering (thus, it meets the requirements of the so-called "organic farming" qualifying the products to increased prices). The vegetation that is grown in this manner should mature several times faster, thus allowing harvesting more times a year, give higher yields, be healthier, show the resistance to rapid changes of temperature and to frosts, etc. In turn for adult consumers, the food that grow in such telekinetised environment should stimulate the increase of health and good mood (see the final part of subsection KB2), stimulate faster healing of wounds, activate telekinetic powers of their pineal glands, wake up paranormal capabilities, improve the intuitive understanding of good and evil - thus causing more moral behaviour of people - and thus also the quality of life of the entire society, etc.

Theoretically speaking, telekinetic farming should also provide the intensification of yield in animal raising. Although the direct experiments in this area still await to be completed, there are various observations and premises which suggest, that giving to animals effectively telekinetised feed, their watering with telekinetised water, or just only washing with telekinetised water, should increase the speed of increase of their weight, decrease the volume of fat in comparison to the volume of muscles, cause the higher from normal and more athletic statue, increase resistance to illnesses and speed of healing of wounds, increase the length of life and length of reproductive activeness, etc. The level of increase in yield of telekinetic raising of animals at this stage is difficult to be estimated precisely. This is because, otherwise to vegetation, animals or people who are saturated with telekinetic field of UFOs are rather difficult to be identified. (Although a lot of cases of animals and people who reached non-typical height or weight is known, but it is not known whether this was caused by their exposure at youth to the action of telekinetic propulsors of a UFO, or by some other factors.) But for a rough estimation of this increase in yield, the



effects of telekinetic explosion in Tapanui, New Zealand, could be used. I estimate for this explosion, that after around 800 years, it still causes around 10% higher growth of animals, and around 5 times higher growth of some vegetation (e.g. pines or oaks). Through comparing this to the 12 times higher growth of organic mass in vegetation at most effectively telekinetised landings of UFOs, it can be deduced, that the top border of increase of weight of animals for telekinetic farming probably is at around 25% in comparison to their normal weight. Unfortunately, this value hides so many simplifying assumptions, that it should not be considered to be binding. The only thing that it is useful for, is to realise, that in case of telekinetic raising of animals, most probably effects are not going to be so spectacular, as in case of telekinetic growth of vegetation.

On basis of the above premises I would like to recommend to farmers, gardeners, fruit growers (especially from areas of low-fertile soils), to try this new manner of farming. The only activities that initially are required for practical implementation of telekinetic farming include: (a) construction a small pyramid, (b) flowing the water destined for watering through a stony tank located somewhere along the central axis (a specific focal point) of this pyramid, and (c) watering the plants (or animals) only with this water which was telekinetised through exposure to the action of telepathic vibrations that are concentrated on a specific focal point of this pyramid. Of course, during the realisation of such installation (pyramid) for telekinetising water, initially there will be a lot of questions that require answers. For example: (1) what should be the proportion of area of walls of pyramid to the output of water that flows through a given focal point of this pyramid, (2) what should be the time of telekinetisation of water (and thus also the capacity of a stony container located in a given focal point of the pyramid), (3) how to check whether the dimensions (or materials) of this pyramid are not selected so that it concentrates in a given focal point predominantly telepathic vibrations type "negative green" ("negative green" impedes the growth and health, instead of boosting it). (In case a given pyramid focuses mainly such "negative green" vibrations on a chosen focal point, the pyramid perhaps may need to be build again with different dimensions, or a different focal point, so that at the container mainly "positive green" vibrations are focused - see subsection KB2.)

People who are not connected with food production are also encouraged to experiment with telekinetic farming. After all, almost everyone has in his/her house some vegetation that requires watering. Thus almost everyone can cut a small pyramid from a carton or from wood, inside of which, a small container made of a natural material is placed, with water inside. Water in this container is subjected to telepathic vibrations that are focused by this pyramid, thus is telekinetised by these vibrations. There are numerous aspects of this new idea of farming, that could be experimentally determined, measured, or discovered in this manner. They include: practical manners of the most effective way of telekinetising water; the level of telekinetisation of water that can be accomplished with the use of pyramid, and the influence of telekinetisation of only water - in comparison to the telekinetisation of the entire environment (this influence could be estimated by the comparison of effects accomplished in such telekinetic farming, with 12-times of the normal growth effects observed on landings of telekinetic UFOs); minimal and the most optimal time of exposure to the action of telepathic vibrations for producing telekinetised water; materials for the water container and for the pyramid - i.e. these which are the best for concentration or for propagation of telepathic waves (e.g. it is known that metals, and plastics, are not good for such applications); shapes and ratio of dimensions that form telepathic vibrations that are the most beneficial for telekinetic farming (e.g. whether in this application, the stepped pyramid from Central America is better than the regular pyramid from Egypt); the relationship between the growth of vegetation and the frequency (colour) of the telepathic waves that resonate in a given focal point of the pyramid; the checks possibilities of appearing of negative effects, in case of telekinetising with so-called "negative green" vibrations; the simplest methods of determining frequency (colour) of telepathic vibrations that resonate in a given point of the pyramid; the influence of the

shape and dimensions of a pyramid at the frequency (colour) of telepathic vibrations that resonate in it; etc. Of course, hobbyists could also carry out experiments not connected with the growth of vegetation. An example of such experiment could be to compare the growth of the same number of identical aquarium fish in two identical aquariums, from which only one uses the telekinetised water (i.e. uses water that is circulated through the focal point of a pyramid). Experiments carried out by devoted hobbyists could allow to explain many of the above matters, thus preparing the right conditions for a wide introduction of telekinetic farming. In turn, final effects of such introduction will influence each one of us, as everyone must eat and everyone would prefer to eat healthy food that is deprived destructive fertilisers, chemicals, growth hormones, or genetic pollutants.

The growth of production of telekinetic farming depends on: (1) the level of telekinetisation of the environment, in which given vegetation is growing (i.e. on the average amount of telekinetic energy that is absorbed by each single atom of matter from this environment - see subsection H8.1), (2) the percentage of the ratio of telekinetised matter of this environment, to non-telekinetised matter, and also (3) the manner of telekinetisation of this environment (e.g. some manners of telekinetisation, especially with the use of telepathic noise that induces torsional or rotational vibrations - see subsection H7.1, may hinder the growth instead of boosting it). This in turn means, that if - for example, the highest possible level of telekinetisation of the environment may give the 12 times increase of the yield, the telekinetisation only to the half of accomplishable level is going cause the growth of only around 6 times. In turn if the ratio of completely telekinetised components absorbed by vegetation from the environment is 100%, and it causes the 12 times higher yield, than the absorption of water only may cause, let say, 4 times higher yield (notice that values provided here are illustrative, and they need to be experimentally verified). The above deductions suggest, that the simplest manner of telekinetisation of the environment, i.e. the flowing of water destined for watering, through a focal point of a pyramid, is not going to be the most effective. It does not allow the highest possible level of telekinetisation, nor 100% ratio of the components that vegetation absorbs from the environment. Theoretically, it also raises the possibility of negative consequences in case of telekinetisation of water with wrong telepathic vibrations, e.g. with the so-called "negative green" vibrations that are described in next paragraph. (This possibility also requires experimental verification.) Much better effects should be accomplished with other manners of telekinetisation, which directly utilise telekinetic field instead of telepathic vibrations. Their example could be the use of constant field from spinning magnets, as described in subsection K2.2, or to use deformed pulses of field generated in telekinetic batteries, also described in subsection K2.4. This type of practical problems, require urgent addressing in further stages of the development of telekinetic farming. Their full solving probably is going to be accomplished when people build their first telekinetic propulsor, similar to propulsors with which UFOs of the second generation telekinetise the environment so effectively in areas of their landings. Of course, in order to not be forced to wait with practical implementation of telekinetic farming until this future times, initially it would be desirable to implement this farming in the simplest version possible, namely in the "Tiwanaku empire version". It telekinetises water designated for watering of plants, in focal points of appropriately designed pyramids.

However, there is a problem which needs to be signalised here. It results from the utilisation of telepathic vibrations for telekinetisation of the environment, and the utilisation of sources of vibratory telekinetic field (means sources other than permanent magnets or stationary output from propulsors of telekinetic vehicles). This problem results from the so-called "telepathic noise" discussed in subsection H7.1. As this is shown by the existing evidence presented in subsection D4 of monograph [5/3], some versions of telepathic noise, for example vibrations that radiesthesia calls "negative green", have very destructive influence on human health. Thus theoretically speaking, the environment that is telekinetised with these destructive noise, probably instead of stimulating the growth, is

going to suppress this growth. This destructive telekinetic field would cause degeneration and dying of some animals and vegetation in the area on which it would act. Both, from theoretical analyses and from practical experiments, it is already known that pyramids concentrate along their central vertical axes the telepathic vibrations of varying frequencies and characteristics. Thus, after samples of telekinetised water are placed in them, the type of telepathic vibrations that are concentrated on these samples theoretically speaking is going to depend on such parameters as: dimensions of the entire pyramid and shape of this pyramid (e.g. whether it is American or Egyptian pyramid), the apex angle, the angle of orientation towards magnetic poles of Earth (or more strictly, towards so-called "Swiss grid" which resonates in this pyramid and which is described in subsection H5.3), material out of which the pyramid is made, and also from the height of placement of the container with water in the pyramid and from the shape, dimension, and material of this container. Thus, during the implementation of telekinetic farming based on water that is telekinetised in focal point of pyramids, all these parameters may play vital roles. In case of their wrong selection, instead of stimulation of growth of vegetation, a given pyramid may cause completely reversed effect. Therefore, before one implements the telekinetic farming, it is necessary to complete appropriate trials and experiments, in which pyramids of various shapes, dimensions, and various containers for water, are used.

Already at the present stage of research it can be predicted, that a regular Egyptian pyramid, probably turns out to be less useful for productive versions of telekinetic farming, than stepped American pyramid. (Although, because of being easier to build, Egyptian pyramid may be better suited for experimenting.) Regular pyramids concentrate along their central axis an entire spectrum of telepathic vibrations, including into this number also the destructive vibrations by radiesthesia called "negative green" (in Egyptian pyramids the presence of these "negative green" vibrations was detected with experimental means). In turn "negative green" almost for sure is going to exert harmful effect on living organisms. In turn stepped American pyramids, through utilising the breaks in their dimensions, cut out from the spectrum of vibrations being concentrated in their focal point, these ones which are carriers of "negative green". The action of their stepped walls boils down to concentrating in the focal point only selected fragments of telepathic spectrum (means not the entire spectrum as this is the case with the regular Egyptian pyramid). Thus, if their designer selected appropriately position and dimensions of their steps in side walls, then just these harmful vibrations from the area of "negative green" are subjected to being "cut out" and eliminated from the spectrum. My personal believe is that the main reason why American pyramids were build as stepped ones (i.e. were build in a manner that they "cut out" the "negative green" from their spectrum), is that they were constructed especially for needs of the telekinetic farming (see previous descriptions of pyramids of Tiwanaku empire). This in turn means, that their design was carried out by someone who exactly knew what is doing (i.e. they were NOT designed by primitive Indians - as the present orthodox science claims it). In turn Egyptian pyramids were build mainly for the purpose of telepathic communication (i.e. NOT for the telekinetic farming - see descriptions from chapter D of treatise [7/2]). Therefore, they do not required steps.

In case one decides to undertake attempts to build an American pyramid for experiments with the telekinetic farming, I would recommend the following procedure of actions. (1) Find in a book, or a journal, a photograph of such stepped American pyramid (the best one would be the "pyramid of water" from Tiwanaku empire, about which it is known for sure, that it was used for telekinetising agricultural water; but for the lack of this one, any other stepped American pyramid should do; for scientific reason it would be beneficial to notice all its dimensions and data). (2) Find out dimensions of this pyramid from the text that accompanies this photograph. (3) Exactly measure from the photograph the dimensional proportions of this pyramid. (4) Build a model of this pyramid in one of scales listed below, which (the model) is going to exactly reflect proportions of all its dimensions. The final success of this construction will depend from fulfilling at least two

conditions: (a) accuracy in which shape/steps of the model are going to copy the shape and proportions of the real Tiwanaku pyramid, and (b) harmonic ratio of the dimensions of the model to the dimensions of the original pyramid from Tiwanaku. The fulfilment of condition (b) may turn a bit tricky, as today it is not known exactly what ratio of dimensions turns out to be harmonic for telepathic waves. The knowledge to-date about waves and vibrations states that "harmonic" is the one that can be described by proportions of a binary sequence, i.e. when the decrease (or increase) amounts to e.g. 1:2, 1:4, 1:8, 1:16, etc. But from my latest observations it seems to stem, that this is not a complete truth, but only a rough approximation. For example in "Swiss grid" (described in subsection H5.3) the double thickness have each second ripple, but then the thicker is every seventh (not every eight) ripple - this is probably the reason for beliefs of sailors, that each seventh wave is much more powerful from all others. However, for the initial experiments, the construction of the model of American pyramid in a binary proportion should initially be a sufficiently exact approximation. If later it is established experimentally, that vegetation watered with water from such a pyramid are dying instead of growing faster, this will be an indication, that probably the ratio of dimensions is not right and that instead of cutting out the "negative green", a given pyramid actually cuts off the vibrations that are beneficial for the growth. In such a case, of course, it is recommended to build another pyramid - this time with a slightly different ratio of dimensions.

In experimenting on pyramid of large dimensions, one of the vital aspects is to position them correctly. I would recommend to try to position them exactly in the centre of a cell of "Swiss grid" described in subsection H5.3. According to my research to-date, pyramids reflect (resonate) with their side walls the stationary telepathic waves, the picks of which are forming this Swiss grid. Furthermore, two side walls of such a pyramid should coincide with the direction of geographic North-South, because in such a case they are going to be perpendicular to the latitudinal components of the vibration of this Swiss grid.

During experimenting with American pyramid, it would be a good idea to use at least three sets of identical vegetation and soil. One of them would serve for comparisons - for judging the effects of telekinetic farming. Therefore it would be watered with an ordinary water (means with water which is NOT telekinetised). The second would be watered with the telekinetised water that originates from the Egyptian pyramid. Only the third set of identical vegetation that grows on identical soil, would be watered with telekinetised water that originates from the investigated American pyramid.

Unfortunately, our physical world is somehow so designed, that everything that in given conditions is desirable and represents an advantage, simultaneously in different conditions it is undesirable and represents a drawbacks. This special operation of physical world is agreeable with the fundamental moral law, which I called the "law of double-sided sword" - see subsection I4.1.1 of this monograph. The best illustration of this law is an ancient legend about the king Midas, who was changing into gold everything that he touched, including into this also the food that he tried to eat. According to this law, in the universe does not exist anything that would have only positive or only negative action. The sum of positive and negative consequences of every event is always zero. Thus also the ability of telekinetic farming to induce the accelerated growth, bring health, or induce an accelerated fertility, according to this law in some circumstances must of course become highly undesirable, or even dangerous. In order to save us unnecessary problems and worries, already at this stage of the development of telekinetic farming we should bear in mind the action of this "law of double-sided sword", and should try to identify/emphasize the most obvious sources of potential problems that may stem from the biological activeness of the telekinetic field. Of course, at the present stage it is possible to indicate only where sources of such potential problems are hiding, although without the completion of appropriate quantitative research, it is impossible to determine how big the total influence of these problems is going to be. Such quantitative research are rather difficult, and thus they were not entirely completed for even the most known methods of increase

of efficiency of farming, such as the use of pesticides, mineral fertilisers, growth hormones, or recently the genetic engineering objected so strongly. For example, even in relation to the chemicals and mineral fertilisers longest used on Earth, still no-one actually fully identified and quantified all the negative consequences that they have for consumers. Therefore, in spite that the explanations provided below, at the first glance may look rather serious, the sum of undesirable consequences of the action of telekinetic field, in the quantitative sense almost for certain will turn out to be significantly lower than the negative consequences of e.g. the use of pesticides, growth hormones, or genetic modifications.

Probably the most vital one, out of all potential problems of the telekinetic farming, is that the food products that are yield from this farming, are going to be saturated with the biologically active telekinetic field for certain period of time since the harvest is done. Therefore such food products should NOT be given for consumption e.g. to children and young people that currently are still growing, as well as to pregnant women. They can be given to people who are still growing only after the period of time, when the telekinetic field that is frozen in them, reached the required level of extinguishing, according to the curve of half-life. Because without carrying out appropriate research, presently it is not known after what time the required level of diminishing of this field is reached, during the first trials and experiments with this farming we should completely reify from giving the telekinetised products to children and to youngsters for consumption. There is several reasons for which it is desirable to avoid giving the telekinetically saturated food to children. Let us discuss here these out of them, which at the present level of knowledge could already be identified.

**#A. Uncontrolled growth.** This is a most important reason for avoiding exposure of children and pregnant woman to food saturated with a telekinetic field. Although such a field probably would not be able to cause, that children would grow to the height of 5-meter tall human giants described in subsections JG9.3 and W4 of this monograph, or in subsection C7.1 of monograph [5/3], almost every over-average increase of height could turn into a source of problems and life inconveniences. Especially that in case when telekinetised food was consumed for a longer period of time, their changes of height could be written into the genetic code (i.e. their children could also later reach a similar height, even if they would not eat a telekinetised food).

**#B. Folk beliefs.** A next field of possible negative influence of telekinetised food on children results from a popular folk belief, that the accelerated growth of body is occurring at the cost of development of mind. (An expression of this belief are popular sayings of a type of English "all brawn and no brain" or Polish "zdrowe ciele w zdrowym ciele" - meaning "a big body hosts a big cow"; the Polish folklore tries to state with this saying that the "bodies that are as big as these of cows are inhabited by small minds like these in cows"). If one day it turns out that this folk belief is supported by facts, then giving telekinetised food to children could cause their faster physical growth at the cost of intellectual attributes.

**#C. Reverse of tendencies.** A next undesirable effect of long-term exposure to the action of telekinetic field, is the ability of this field to reverse the normal direction of changes of "along the line of least resistance" into the direction "opposite to the line of least resistance". It is especially undesirable, if this ability is related to various sexual attributes. Independently from many desirable effects of such a reversal, such as return of health, vigour, or vitality, some its aspects may not be desired. For example this field may cause in both sexes the reversal of their instinctive behaviours, i.e. women who are subjected to it, may start to behave like males, while men - like females. (These reversed behaviours, written permanently into genetic system of legendary New Zealand giants described in subsections C7.1 of monographs [5/3] and [5/4], most probably were responsible for their gradual extinction. Perhaps the action of these behaviours hides behind very low birth ratio in countries with high level of saturation of the environment with telekinetic field, e.g. caused by the intensive use of electric appliances in households.)

Other example of undesirable consequences of this reversed action of telekinetic field on sexual attributes, can be the ability to increase fertility. In case of sexually active women, who do not want to have too much children, probably it is desirable for them to keep far from the exposure to this field - including refraining from eating the telekinetised food.

The above list of potential problems with telekinetised food should also serve as a warning against exposing ourselves, or our children, to processes similar to those that are occurring in the telekinetic farming. Unfortunately, some literature recommends meditations, or even sleeping, inside of pyramids, while on the West many people build small pyramids in their gardens, some of them even designing their houses into this shape. But this does not mean, that subjecting ourselves to doses of concentrated telepathic vibrations is always desirable. After all, the Chinese concept of "feng schui" warns that sometimes the influence of such vibrations is highly damaging - see the end of subsection H7.1. Perhaps the growth of physical force and athletic build up, that are going to be stimulated by the telekinetic field, combined with the present lack of detection of telekinetised food in a manner similar to the detection of e.g. steroids in this food, could also incline some people to experiment with this field on themselves. However, as this is revealed by the content of this monograph, especially content of subsections H6.1 and KB3, in the telekinetic field much more secrets hides than we are able to imagine today. Therefore, much safer is to wait with subjecting people to it, until appropriate experiments and tests are completed.

At the end of this subsection it should be added, that various experiments with pyramids were carried out by numerous people. Also many researchers analysed secrets of Tiwanaku empire. A lot of people sees landings of UFO vehicles (usually without noticing them). Unfortunately, the lack of the knowledge about mechanism and consequences of telekinetic phenomena in these people, and their lack of knowledge about the telekinetic field induced with telepathic waves, makes impossible for them to notice the most important aspect, to correctly interpret the results that they receive, and to derive the useful conclusions for the future. Thus, actually I am the first person who noticed, realised, understood, developed, and now is disseminating the idea of telekinetic farming described here. As such I reserve the intellectual property of this idea, and all consequences that result from it (e.g. see the moral obligation described in subsection AB3 of this monograph).

The idea of telekinetic farming that is presented in this subsection, has also many applications outside of farming. Let us list here some representative examples of these applications.

**#1. Mass mutations of living organisms.** Telekinetic farming explains exactly why in the history of Earth to-date, on specific areas rapidly mass mutations of living organisms appeared, the height and weight of which many times exceeded the height and weight of relatives of these organisms. Present orthodox science is unable to explain satisfactorily the reasons for such rapid mass mutations, because these are contradictive to our knowledge about the genetic system. In turn telekinetic farming explains them as an effect of temporary telekinetisation of the natural environment in which these organisms lived, and the break in their genetic code caused by this telekinetisation - see subsection JE9.3. This telekinetisation in turn could be caused by a rapid acceleration of Earth's magnetic field, triggered - let us say, due to the dislocation of magnetic poles. An example of mutations of huge living organisms that were caused in such a manner, is the appearance of a super-bird "Moa" in New Zealand, explained in subsection C7 of monographs [5/3] and [5/4].

**#2. Differences in national characteristics.** Another example of non-agricultural significance of telekinetic farming, is the ability of it to explain differences in national characteristics in countries that have very similar cultural roots (e.g. in New Zealand and in Australia). These differences, amongst others, could be caused by a different level of background saturation of the environment of these countries with the telekinetic field. This

would explain for example why the national attribute of New Zealanders is much higher than in any other place caution about natural environment, the elimination of cruelty towards animals, exceptional care assigned to criminals (frequently exceeding many times the care for victims of these criminals, and the care for law obeying citizens), the lack of approval for corporal punishment for even the most spoiled brats, etc.

**#3. Similarities of attributes of non-related countrymen.** A next example would be the explanation for the fact that similar national characteristics appear in non-related people that inhabit the same territory, in spite that their genetic system originates from different sources (i.e. from different races or countries). For example, all people who for a longer time live on the territory of Poland, are showing a higher than usual level of heroism, while all people who live for a longer time in Switzerland, show higher than usual feeling for precision and for technical capabilities. Some national attributes can originate not from a genetical system of people, but from a type and characteristics of the background telekinetic field that dominates in a given country. In turn this telekinetic field can be caused by the natural telepathic vibrations that are characteristic for the geographic location of a given country, for its topography, distance from magnetic poles, vegetation, mineral composition, level of watering, etc. - see descriptions of telepathic vibrations provided in subsection H7.1, descriptions of "Swiss grid" from subsection H5.3, and explanation for the mechanism of telekinetisation from subsection H8.1.

The readers who are especially interested in the topic of telekinetic farming, are recommended to additionally study publications that are concerning the telekinetic effect and telepathic waves, especially monographs [5/3], [6], and [1/3], treatises [7/2] and [7]. They reveal further aspects of biological consequences of the telekinetic field action, that were not elaborated here.

### KB3. Stimulation of synthesis of new elements by telekinetised substances

Phenomena that stand at the physical foundation of permanent telekinetisation, are already utilised in many areas, in spite that people have no idea what the principle of this utilisation exactly is. In present applications of these phenomena, various side effects are utilised that accompany permanent telekinetisation of given substances, e.g. change of their shape, consistency, composition, energy level, state, nuclear structure, attributes, etc. In such applications, telekinetised substances can both absorb of the environmental heat (as this happens e.g. during telekinetic acceleration of flying vehicles), or yield heat into the environment (as this happens during e.g. telekinetic braking). But the lower the exchange of thermal energy with the environment is, the easier these alterations are for completion. Thus the easiest to complete are the telekinetic transformations which are self-balanced thermally, i.e. which do not absorb nor release any thermal energy. One of the most unusual transformations triggered by the Telekinetic Effect, which seems to occur only if the selection of intake components and the final products allows for such energetic self-balancing, is the ability to transform one group of elements into another group of elements.

The actual occurrence of telekinetic transformation of one group of elements into other such group, seems to be confirmed by a significant number of facts, empirical observations, and experiments. Let us list here and comment several examples of these:

**#1. A biological synthesis of vital elements in plants stimulated with permanently telekinetised water.** In several places of this chapter, e.g. in the final paragraph of subsection KB4, and in subsection KB1, it is explained that high-amplitude telepathic waves induce phenomena similar to these caused by the Telekinetic Effect. For example they permanently telekinetise these substances - see item #2 in subsection KB1. In turn subsection H7.1 explains that the geometrical configuration of a pyramid concentrates telepathic waves - means, amongst others it increases their amplitude. A

simplest experiment which reveals a potential of telekinetised substances for stimulation of biological transformation of one group of elements into other such group, depends on placing telekinetised samples of water in the focal point of a pyramid. Then plants are watered with this telekinetised water.

Mr Axel I. M. Skyba (Am Stutenanger 10, D-85764 Oberschleissheim, Germany) carries out such experiments for a long time. He places an ordinary water into focal point of a miniature copy of Cheops' pyramid for 24 hours. Then he waters various plants with just this water, means without adding to it any soil or minerals. For this purpose he uses a well-known technique usually called a "hydroponic growth of plants". His plants grow normally, without showing any deficiency of elements, in spite that elements required for their live were not supplied to them. Simultaneously the same plants treated in exactly the same way, but watered with just an ordinary water, die out very fast. This confirms again that under the impact of high-amplitude telepathic waves concentrated in a pyramid, water is telekinetised. In turn after telekinetisation it acquires capability to stimulate some plants for synthesizing chemical elements that are vital for their survival, from elements that were available for them.

Pyramids used in experiments of Skyba are produced from cardboard. But he claims that they can be produced from any non-metallic materials, e.g. wood, glass, acrylic, and even silk or linen spread over a wooden skeleton. Usually they have only small dimensions, i.e. only such that inside of them an ordinary kitchen cup fits easily. Shapes of his pyramids exactly imitate shapes of the Great Pyramid, sometimes called Cheops pyramid. As a container for water usually an ordinary ceramic cup is used, e.g. from porcelain or faience. This cup is placed directly on the basis of his pyramid, so that its upper edge reaches around 2/3 of the height of pyramid, and sometimes is distant by only around 5 cm from the apex. So the focusing axis of the pyramid is within the volume of the cup. After subjecting water to the action of telepathic vibrations focused by this pyramid for the duration of 24 hours, water is then used as a medium for hydroponic growth of plants selected for experiment. No any chemical elements or minerals are added to it. Plants which so far were grown in this manner by Mr. Skyba were: papyrus ssp., sansevieria, philodendron colocasia, tradescantia. It means that these are plants which normally prefer extremely dry or extremely wet environment - as only the growth in such hostile circumstances caused that the natural evolution developed in them ability for telekinetic synthesis of missing chemical elements from elements that are available to them.

**#2. Biological synthesis of calcium by hens stimulated telekinetically with mica.** One of the commonly known substances, which is a natural "oscillant" described in subsection H8.1, is so-called "mica". So if mica is given for consumption by e.g. hens, in their organisms permanent telekinetisation takes place with the method which in subsection KB1 is called "telekinetisation through induction".

In a region of French Bretonnia, where is a lot of mica but simultaneously there is a significant deficiency of calcium in the soil, hens still lay eggs with normal, hard shells. French chemist named Louis Nicolas Vauquelin was so inspired by this empirical observation, that he completed a very meaningful experiment. His experiments proves conclusively, that organism of hens is able to accomplish telekinetic stimulation of biological synthesis of calcium. In this experiment he fed hens with a significant deficiency of calcium, but gave them for picking as much mica as they wanted. His hens still laid eggs with hard shells, exactly as they do when they have a sufficient amount of calcium. But when he fed the same hens with the same deficiency of calcium, and simultaneously he did not give them mica, they laid eggs with completely soft shells.

Mica is a complex hydrous aluminium silicate mineral usually composed of potassium, aluminium, silicon, oxygen and hydrogen. For example composition of the principal type of mica, called "muscovite", is described by the formula:  $K_2Al_4(Al_2Si_6O_{20})(OH)_4$ . But according to my deductions mica is one of the natural "oscillants", means natural substances which just on their own keep themselves in the



state of permanent telekinetising. This is because of this permanent telekinetisation, one of the chemical elements present in mica from Bretonnia, but absent in the environment there, e.g. potassium, is naturally synthesised into calcium. Thus Vauquelin's hens self-satisfied their need for calcium by producing calcium from this element which is readily available in mica but simultaneously is absent in the environment, e.g. from potassium. Although present science seems to ignore his experiments, as just on the basis of current nuclear physics there is no known means of transforming one element into another, the action of the Telekinetic Effect explains his findings as a result of biological telekinesis which transforms some elements into others, e.g. potassium and some other, yet unidentified element, into calcium and some other, yet unknown element. Experiments conducted by Vauquelin are described in two books, i.e. **[1KB3]** by Peter Tompkins & Cristopher Bird, "The secret life of plants" (Penguin Book Australia Ltd., ISBN 0 14 00,3930 9, 1973, page 243), and **[2KB3]** by Layall Watson, "Supernature: the natural history of the supernatural", (Hodder and Stoughton, London 1973, ISBN 0340173688).

The above should be complemented by an information, that the hypothesis contained in the above descriptions, that the natural telekinetisation of mica is the source of biological synthesis of calcium in organisms of chicken, could easily be verified. This is because if this hypothesis is true, then given to hens also any other telekinetised but non-poisonous substance, e.g. the "white powder" described in subsection H8.1, should also stimulate a similar synthesis of calcium in these hens. So in order to prove this hypothesis, it is enough to carry out an experiment similar to that completed by Vauquelin, but instead of mica just give to hens some other natural "oscillant" with life-supporting vibrations. If such a different experiment also gives similar outcomes, then the hypothesis discussed here is true.

**#3. Biological transformation of one chemical elements into others by some insects and snails.** In the article **[3KB3]** Ross'a Clark, "Lost world in the cave of wonders", published in "The Sun" (Malaysia), Sunday, 10 March 1996, page 43, a system of underground tunnels called "Movile" is described. This system was discovered near Mangalia in Rumania, at the coast of Black Sea. With appearance and with their smell they closely resemble tunnels evaporated by UFOs, and described in subsection O5.3.1. (Most probably they actually are such UFO tunnels.) As it is indicated by research of American scientist from the University of Cincinnati, Serban Sardu, these Movile tunnels during last 5 millions of years were completely cut off from the connection with the surface of Earth. However, in spite of this, several living organisms still survived in them, such as snails, spiders, beetles, scorpions, and bacteria. Because of multi-generational development in extreme conditions, 31 out of 47 organisms discovered there are unique for these tunnels, evolving huge antennas and losing eyes. The extraordinary aspect of these tunnels is, that they do NOT have light, while their atmosphere is strongly saturated with sulphurated hydrogen, means a gas that smells like rotten eggs. Therefore these underground tunnels cannot sustain any vegetation. In the result all organisms that inhabit it are carnivorous, eating each other. In turn theoretically speaking, sustaining life for 5 millions years exclusively due to eating each other in a closed ecosystem is completely impossible, unless some of organisms inhabiting such closed space are capable to telekinetically synthesise elements and chemicals that they need to live, from elements and chemicals available in their environment. Thus an obvious conclusion is emerging, that at least some insects or snails that live in Romanian Movile tunnels, are capable of telekinetic transformation of selected elements into others. Of course, because present orthodox science does not consider that such a transformation is possible, scientists have a serious problem at hand. It is because they have no way to explain on the present level of knowledge the principles on which life is sustained in these caves for such long period of time. Therefore, according to what I wrote in subsection VB5.1.1, most probably officially we never again hear anything more about these extraordinary caves.

While commenting the above information it is worth to realise, that the smell that prevails in these tunnels, which given them the atmosphere of sulphurated hydrogen, indicates also that these tunnels are evaporated by UFOs. Telekinetic field of UFOs frozen in walls of these tunnels caused the occurrence of unique biological processes - for more details see item 9 in subsection F10.1.1, and item 3 in subsection O5.3.1.

**#4. Synthesis of calcium by propulsion of telekinetic UFOs.** Calcium seems to also be synthesised in former landing sites of UFOs of the second and third generation. It is produced by a technical version of the Telekinetic Effect formed by propelling devices of UFO vehicles. For example, research of American UFOlogists reported in the book **[4KB3]** by Allan Hendry (Foreword by Professor Allen Hynek): "The UFO Handbook" (Sphere Books Limited, London, England, 1980), page 131, reveals quite shocking facts. The calcium content in some UFO landing sites was around seven times higher than this content in the soil from the area which surrounds given UFO landing sites. As the shifting of calcium in the soil would involve extremely unlikely mechanisms, almost the only rational explanation for this increased calcium content in some UFO landing sites is that it was synthesised there by the Telekinetic Effect released by the propulsors of these vehicles.

**#5. Synthesis of gold by telekinetic flash of exploding UFOs.** The transformation of potassium into calcium is not the only change of elements which can be triggered by the Telekinetic Effect. Another change which seems to be also confirmed by numerous empirical findings, is the transformation of silicone (found, for example, in ordinary sand) and some other unknown yet element, into gold and some other unknown yet element. Such a synthesis of gold occurred on a very large scale in explosion sites of space vehicles propelled by the means of telekinesis. Their example is the formation of "golden fleece" in ancient Kolchida; and more recently near the township of Tapanui in New Zealand; in Tunguska, Central Siberia; and in vicinity of river Ren in Europe. More details about this "golden fleece" is provided in monographs [5/4] or [5/3].

**#6. Synthesis of tin by propulsors of telekinetic UFOs.** There is a wealth of observations, when witnesses noticed small droplets of melted tin which keep dropping from UFOs. These observations are so frequent, that there are even speculations, which suggest that "tin" is a product of "combustion" occurring in UFO engines. Simultaneously neither laboratory research of fragments of UFO shells (see subsection G2.4 in monograph [5/3]), nor statements of UFOonauts themselves, nor analysis of propelling devices and equipment of UFO vehicles, have ever indicated the existence of tin that could leak, or devices that could produce it. The above leads to an obvious conclusion, that most probably a Telekinetic Effect formed by the propulsion system of UFOs of the second generation, initiates a telekinetic synthesis of tin. This synthesis could take for example a form of an element contained in the air (e.g. the noble gas "xenon") telekinetically merging with the "onion charcoal" that is accumulating on the UFO shell. Because of an unique mechanism of the accumulating of this onion charcoal on shell of UFOs, it must be strongly telekinetised. (For more information about this onion charcoal - see item #2H5.2 from subsection H5.2, and subsection O5.4.) In the effect of this process nuclear synthesis, the element tin is produced together with some other gas that escapes into air (e.g. neon). This tin falls down to Earth in the form of small droplets.

Of course, many present orthodox scientists is blinded by the current state of nuclear physics. They close their eyes to the empirically established facts. Therefore they try to correct nature by stereotype declarations that transformation of one elements into others is supposedly impossible. So when a next time you are confronted with such close-minded people, it is worth to remind them that even commonly recognised geniuses were at wrong when they declared that something is "impossible" - for numerous examples of such erroneous claims of famous people see subsection JB7.3. This is because our universe is so designed that "every goal is achievable - we only need to find out how to

accomplish it". (This canon of the intelligent organisation of our universe is discussed in subsections JB7.4, JB7.3, and I5.4.)

At this point it asks for quoting words (in my own translation from Polish): "The biggest effort of the mind is to acknowledge that there is infinite number of things that exceed it." (B. Pascal, "Thoughts")

#### KB4. Consequences of telekinetic pollution of our natural environment

By the term "**telekinetic pollution**" of our natural environment, we should understand the introduction to this environment of significant amounts of permanently telekinetised substances. Unfortunately, the invisible occupation of our planet by UFO-nauts, who continually hide from people in the state of telekinetic flickering, pollutes our planet in a significant manner. Even larger telekinetic pollution is introduced by these repetitive UFO explosions that are carried out intentionally on our planet - for more details see subsections A3, V3, and O5.2.

Let us now consider consequences of such permanent telekinetisation of various substances from our natural environment, means such "telekinetic pollution". In areas where UFO vehicles propelled by telekinetic propulsors have landed, and also in possible areas where such UFOs explode, everything is swept by a powerful flash of telekinetic field. In turn such flash of this field, or longer exposure to it, must cause a permanent telekinetisation of various substances contained in this environment. Means UFO vehicles constantly pollute telekinetically the environment on Earth. In the final result of this telekinetic pollution, permanently telekinetised substances, due to their long-term action, must cause various changes in living organisms. Furthermore, they influence various other substances that are present in the telekinetised area. After all, it is already known that telekinetic influence exerted by telekinetised substances represent only a technical version of the same influence that healers use for healing of illnesses sometimes considered to be incurable. In turn by people with paranormal abilities the same influence is used for bending spoons, changes in structure of various substances, bending divining rods, etc. So let us now learn several non-typical changes and phenomena, which can be caused in the natural environment, if this environment is polluted telekinetically. Although in this subsection I mainly concentrate on the beneficial consequences, we must remember that there are also similarly numerous undesirable ones. But the discussion of these undesirable consequences I decided to live out until I accumulate more evidence on their topic. However, the damage that can be caused e.g. by "asbestos", already gives to us some idea as to what type of danger such a telekinetic pollution brings about. Because complete explanation of mechanisms behind these changes requires rather a wide theoretical explanations, here we only list these changes, while their explanations readers should seek in the Concept of Dipolar Gravity outlined in chapters H and I.

Appearance of the majority of these non-typical phenomena in the telekinetically polluted environment results from the general principle, that the Telekinetic Effect seems to furnish telekinetised substances with the attribute of "super-slipperiness". It is described in subsection H8.1. This attribute represents a reversal of friction force. Therefore all substances which display it are capable of executing almost all physio-chemical processes along the "line of the greatest resistance". Thus this effect seems to cause the reversal of "normal" processes occurring in untamed nature, which follow the "line of the least resistance". In case of various chemical substances, this direction could be defined as "transformation from energetically lower states into energetically higher states", or occurring "from chaos to order". In the sense of thermodynamics this could be expressed by the statement, that "changes induced telekinetically decrease the entropy of the universe". (As it is known, all changes initiated with physical work tend to increase this entropy.) Because for the majority of living organisms and substances the above direction

of changes means transformation from degeneration and dependency into a state of growth and durability, the Telekinetic Effect displays the capability for enormous biological, chemical, and structural stimulation. The action of telekinetised substances on the environment manifests itself in the following manners:

**#1. Stimulation of growth.** All living organisms (i.e. vegetation, animals, and people) subjected to action of substances telekinetised with the stimulating field, display accelerated and enlarged growth. Thus in areas of landings or explosions of UFO vehicles with telekinetic propulsion (e.g. see monograph [5/3]) in extreme cases the vegetation may grow as many as up to 12 times faster and higher than the same vegetation from surrounding areas. (For example near Tapanui in New Zealand - see [5/3], where a residual telekinetic field still prevails after the telekinetic explosion that occurred there in 1178 AD, pine trees can be harvested after 20 years, during such short time growing to sizes which in Europe would take at least 100 years.) In turn animals and people affected with the field of such landing or exploding UFO vehicles may reach size and strength significantly higher than others. Thus the above reveals the possibility of building "**telekinetic stimulators of growth**", i.e. devices which would cause the acceleration of growth but in an intended and controlled manner. It also allows for the implementation of "telekinetic farming" described in subsection KB2.

**#2. Changes in how one feels.** Permanent telekinetisation of organism caused by the exposure of this organism to a specific type of telekinetic field, seem to cause a very noticeable changes of feeling and mood both in people and in animals. But depending on the character of the field, these changes can be either desirable, or undesirable. Although so far no many empirical observations were accumulated on this topic, it appears that a constant telekinetic field causes telekinetisation that induces optimistic moods and good humour, increases the influx of energy, vitality, eagerness to action, clarity of thoughts, etc. (Constant telekinetic field is e.g. field generated by oscillatory chamber of telekinetic vehicles, or through spinning of permanent magnets.) In turn various pulsating telekinetic fields may cause permanent telekinetisation which induces the arrival of states of depression, irritability, marasmus, negative thoughts, etc. The capability of telekinetic fields described here suggests that we should look very carefully at various sources of this field that are present in our workplace and in our flat. Furthermore it explains mechanism in which various natural sources of telekinetic field (e.g. explosions on the Sun) may cause changes of social moods on Earth. It also reveals why some animals, e.g. sheep and deer in New Zealand, and deer in Borneo (see subsection O5.3.1), are irresistibly attracted to areas permanently telekinetised which radiate with telekinetic field. Finally it also indicates a technical manner on which an intended control over moods and attitudes of ourselves and other people can be accomplished.

**#3. Changes in selected sexual functions.** Although this was not supported yet by a sufficient verification, it seems that long-term exposures to various permanently telekinetised substances change various sexual functions. Effects observed so-far in this area seem to suggest that:

- Both sexes may reverse their instinct behaviours. For example women may start to behave like men, while men start to behave like women.

- Women subjected to the action of Telekinetic Effect, or to the action of telekinetised substances, may improve their fertility. These observations originate from areas on Earth recognised for their capability to increase fertility, and visited by infertile women to get pregnant. I personally saw and examined one of such areas. It is the lake called "Lake of the Pregnant Maiden" (in the Malaysian language "Tasik Dayang Bunting"), which is located on the small isle named "Pulau Dayang Bunting" near Langkawi Island in north-west side of Malaysia. The lake is around 60 metres deep and occupies the bottom of a steep crater in a rocky mountain, which to me looked like an inactive volcano. Walls of this crater are regular, flat, and slanted at angles of a reversed pyramid. The volume of water which fills up this lake has the natural shape of a pyramid reversed upside down.

Thus with its shape, angles, and dimensions, it facilitates the selected waves of telepathic vibrations of counter-matter to be focused just on the surface of the lake. Water in the lake displays the lack of transparency, which according to subsection H7.2 is one of the properties characteristic for normally transparent substances after they are highly telekinetised. Also this water is literally packed with plankton, the presence of which additionally highlights its life-giving properties. Local legends state that infertile women who drink water from this lake or bathe in it, are getting rid of difficulties with becoming pregnant. Many of these legends are published in tourist pamphlets about the lake (these are distributed by the Malaysia Tourism Promotion Board, Ministry of Culture, Arts and Tourism, Langkawi MTPB Tourism Information Centre, Jalan Persiaran Putra, 07000 Kuah, Langkawi, Malaysia). According to [1KB4] one of them, marked as the pamphlet LF(BM/E/C)-4/95 "Places of Attraction in Langkawi", a childless for 19 years couple was blessed with a baby immediately after the woman drank the water from this particular lake. In order to facilitate bathing and taking water, local authorities build special platform on the lake, which supports a number of swimming pools with safety nets on the bottom. During my visit to the lake, these pools were filled up with crowd of bathing women, many of which were accompanied with their partners and whole families. I placed my magnetic compass on this platform, and after around half an hour I noticed that the needle indicated the deviation from the initial direction by around five degrees. Unfortunately my boat was just leaving so I had no time to complete any further investigations. The possibility of fluctuation of the local magnetic field would mean that, according to the principles of releasing the Telekinetic Effect, this fluctuation could be the second source of the telekinetic field in the lake (in addition to the pyramidal shape of the lake itself, which allows to focus telepathic waves on the surface of water). This could explain many of the fertility properties of this water.

**#4. Fast healing.** Damaged, degenerating, or ill parts of bodies/organs placed in the range of the telekinetised substances seem to heal and regenerate very rapidly. The regeneration and healing achieved in such a "technical" manner is very similar to that manifested during the influence of the biological telekinetic field released by healers.

Some of these healing results were already observed by a number of inventors working on telekinetic devices for the extraction of environmental energy (also called "free energy devices") - see subsection K2.3.1 and monograph [6]. It seems that the observation of healing properties of the technological version of the Telekinetic Effect represents a major discovery which in future may allow for the development of "**telekinetic healing devices**". The operation of such devices will objectively and repetitively imitate the subjective action of contemporary healers. As such, the medical applications of the Telekinetic Effect can even overshadow the currently pursued application for energy production. If this is reinforced by further research, we may be on the brink of a major discovery which may completely revolutionize our medicine. It is worth mentioning that a Swiss inventor, the late Werner KROPP (WEKROMA Laboratory, Via Storta 78, CH-6645 Brione s/M, SWITZERLAND) already accomplished significant successes in the development of such healing devices.

One of many examples of practical implementations of telekinetic healing was already indicated earlier - it was the consumption of small doses of stimulative oscillants. Other interesting method of such healing, which even gained a formal approval from the Pharmaceutical Licensing Authority in Switzerland and was utilized on an industrial scale, is to give to ill people ampoules of appropriately telekinetised water. The inventor of this method and its industrial implementer, was the late Werner Kropp of WEKROMA Laboratory (Via Storta 78, CH-6645 Brione s/M, Switzerland). He telekinetised ampoules of 0.9% solution of kitchen salt in distilled water, then administered it to patients. I had the honour to be a personal friend of Mr Kropp and I had the opportunity to talk to some of Kropp's former patients. Results were amazing, as this telekinetised solution cured many

patients with illnesses which could not be cured by other drugs that were available then. Unfortunately Mr Kropp passed away on Sunday, 5 February 1995.

Of course, there are still unsolved problems related to telekinetic healing which require further research. These include: randomness and low repetitiveness (i.e. identical substances telekinetised in exactly the same manner and administered to cases of exactly the same illness in some situations do heal, while in other do not make any difference); the lack of reliable techniques of telekinetisation which would guarantee the required manners of telekinetic oscillating (as it was indicated earlier there are several manners of telekinetic oscillating and some of them cause damage instead of healing); the existence of two opposite kinds of permanent telekinetisation, namely stimulative and degenerative; and also our insufficient knowledge of mechanisms involved in the telekinetic healing process itself. For example in the area of low repetitiveness there are two hypotheses which explain it and which require further experimental verification. One hypothesis states that the telekinetised substances only regenerate the body and help it to restore the disease fighting capabilities, whereas it is the body - or more specifically its immune system, not the substance, which fights the disease. Thus in many situations at the time of starting the telekinetic treatment the body deterioration is already beyond the threshold level, so it (the body) cannot be regenerated and consequently is unable to succeed in defending itself. The other hypothesis states that a disease changes the body's own vibratory resonance, thus in order to heal, the telekinetised substance must oscillate in a manner and with the frequency which would assist the body to regain its original resonance. As different groups of people seem to be characterised by several types of vibratory resonances (similarly as they have different groups of blood), in order to help them, the manner and frequency of oscillating of a telekinetised substance must be compatible with their individual vibratory characteristics.

One of the most interesting achievements of Kropp's research was that he experimentally proved that telekinetic healing in fact do utilize the action of the Telekinetic Effect. In order to prove this, he filmed with the thermovision camera the course of a telekinetic healing. He tried to establish if in the area of healing any temperature drop can be observed as postulated by the Concept of Dipolar Gravity (to which Werner Kropp was a devoted adherer). His camera in fact detected, and recorded it on a series of photographs, the rapid decrease of bodily temperature which in the period of three minutes amounted to around 3° C. Photographs which show this temperature drop are presented in Figure H4. Besides the action of the Telekinetic Effect there is no other phenomenon which could cause or explain such significant and rapid drop of bodily temperature.

**#5. Mutations.** Powerful, or long acting, doses of telekinetic vibrations may cause the evolution of new genetic structures. Thus, new and better adapted mutations of living organisms may come to life. For reasons explained in subsection JE9.3, usually these telekinetic mutations are 5 to 12 times larger than the original organisms. Telekinetic pollution may also cause the appearance of human giants on Earth, as these are described in subsections W4 and JG9.3, as well as in a separate monograph [5/3].

**#6. Stimulation of paranormal abilities.** Amongst people subjected to the action of the telekinetic field, a number of paranormal phenomena can be induced at random. Examples of these include:

- Enhancing paranormal capabilities of a given person. People who remain under the influence of this effect for a longer time, can display paranormal abilities they have not noticed before (e.g. their ability to heal, clairvoyance, telepathy, telekinesis, etc., rapidly may become enhanced). It looks almost as if the Telekinetic Effect clears or revives internal organs in our body (e.g. the pineal gland mentioned previously) which are capable of inducing paranormal phenomena, but which are dormant due to chronic disuse.

- Triggering phenomena which may have religious interpretations, e.g. visions, rapid and unexplained changes in the state or capabilities of human body or surrounding objects (like small "miracles"), etc.

**#7. Changes of fate.** As incredible it may sound, there are empirical observations which seem to indicate, that exposure to some types of telekinetic field which additionally freezes in itself modifications of time continuum, may cause a change of fate of people subjected to this field. (An example of such fields is a residual telekinetisation caused by operation or explosion of time vehicles.) This change usually boils down to achieving by such people an extraordinary "luck" in gradual accomplishing their life goals, in finishing their endeavours with a success, in coming unharmed from dangerous accidents, etc. For example, the so-called "china stones", which were exposed to the telekinetic flash of UFO explosion near Tapanui in New Zealand (see subsection O5.2), are widely known from their ability to bring good luck to these people who have them and carry them. Further cases of empirical observations which seem to document this extraordinary phenomenon are discussed in item E2 from chapter H of monograph [5/3].

**#8. Catalysing difficult chemical substances.** Various chemical substances normally difficult to associate or separate are spontaneously produced in the sphere of action of this effect. (E.g. ozone is formed from oxygen in the air, water is dissociated into oxygen and hydrogen, etc.) The energy balance during telekinetic production of such substances apparently does not fulfil the Energy Conservation Principle. (E.g. the release of telekinetic dissociation of water consumes less energy than it is obtained during subsequent burning the oxygen and hydrogen produced in this manner.) This is because the spontaneous absorption of energy from the environment cannot yet be quantified with instruments. Such manifestations of the Telekinetic Effect can be utilised for the development of new energy efficient methods of ozone production, water dissociation, etc.

The practical applications of this ability of telekinetised substances should probably be called "**telekinetic chemistry**". Such chemistry can be based either on the direct utilization of the Telekinetic Effect, as well as on the utilization of the reversal of friction attribute of telekinetised substances. It can be used for the production of various substances normally difficult to obtain. (E.g. for: high efficiency dissociation of water into hydrogen and oxygen, production of ozone, production of organic substances or organic fuels, etc.) It could also be used for carrying out chemical reactions which normally are very difficult to complete. Many chemists actually use this type of chemistry without even realizing it. For example all reactions completed with the use of catalysts are in fact based on the principles of telekinetic chemistry. Principles of this chemistry originate from the capability of the Telekinetic Effect and telekinetised substances for carrying out chemical reactions "along the line of the highest resistance". Their practical realization depends on the completion of chemical reactions in space in which a strong telekinetic field prevails (this field, as a kind of universal catalyst, activates telekinetic reactions), or on realization of chemical reactions near the surface of oscillants (catalysts) which transfer some of their properties onto the substances involved. Therefore the conditions and methods of completion of reactions in this new type of chemistry are similar to the conditions and methods of telekinetisation the environment in which vegetation is growing in the so-called "telekinetic farming" described in subsection KB2. At present a large number of investigators and inventors seems to be already involved in the telekinetic chemistry, although usually they are not aware of phenomenon they are trying to employ. The most of them is concentrating their efforts on the telekinetic dissociation of water. This is because the utilization of the Telekinetic Effect for such a dissociation allows for production of the amount of hydrogen and oxygen, the burning of which provides a much higher energy than the energy consumed for triggering and maintaining the process itself. Therefore, from the energy point of view, the telekinetic dissociation of water, similarly to all other applications involving the Telekinetic Effect, displays the efficiency exceeding 100%. In order to name some investigators working on this process, in 1990s the topic of

telekinetic dissociation of water was pursued, amongst others, by Mr Cliff Pound, Lot 7 Old Broken Hd Rd, Newrybar, NSW 2479, Australia; by Stanley A. Meyer, 3792 Broadway, Grove City, Ohio 43123, USA; and by Mr Stephen Horwath, P.O. Box 3880, Sydney, NSW 2001, Australia.

**#9. Reversal of the direction of heat transfer.** Under the action of the telekinetic effect heat flows from the areas or objects with a lower temperature into the areas or objects having a higher temperature. The most drastic example of such a flow realised via biological telekinesis is the so-called Spontaneous Human Combustion. The same effect, but released technologically, was utilised in 1980s in the invention by Peter Daysh Davey, Senior (257 Locksley Avenue, Christchurch, New Zealand). He developed an electric jug that boils water but consumes almost no electricity - see New Zealand patent no 92.428 dated 12 December 1944. I actually had the pleasure of seeing his device.

**#10. Formation and sustaining of volatile states.** Telekinetic field causes that the energy bound in substances, phases, or forms more permanent, is withdrawn and transferred into substances, phases, or forms less permanent. For example some permanent crystalline phases which bound quantities of energy, can be transformed into other phases which release a lot of heat - see the telekinetic bending of spoons. (The world-known person capable of such bending is Uri Geller from Israel.)

**#11. Perfecting of structures.** The crystalline structures and organic compositions can become "perfected" by eliminating from them various atomic vacancies, planes of slips, breaking lines, changes of density, etc. In this way for example car tyres exposed to the field of a telekinetic UFO vehicle hovering above them may become completely wear and tear resistant, steel may refuse to corrode, etc.

**#12. Synthesis of chemical elements.** The Telekinetic Effect may activate the "cold fission" of atomic structures in elements. This in advanced applications allows for the **transformation of some elements** into other elements, as this is described in subsection KB3.

**#13. Changes in the operation of laws of nature.** Natural laws that are recognised by current orthodox science for the physical world, e.g. laws of physics, mechanics, astronomy, biology, etc., in the presence of telekinetised substances may not obey, or may work in a manner that differs from that established so-far. This is because for telekinesis laws of the counter-world apply, which so-far are not learned by our science. See also subsections H10 and H1.3 of this monograph. Examples of such laws working differently for telekinetised substances include:

- Solid objects moved telekinetically can penetrate, or be penetrated by other solid objects without affecting or damaging the consistency of either of them. Thus, when utilized in propelling devices, this may lead to the development of **wall crossing vehicles** which can penetrate through solid matter (e.g. pass through walls to our homes) without leaving any damage or mark.

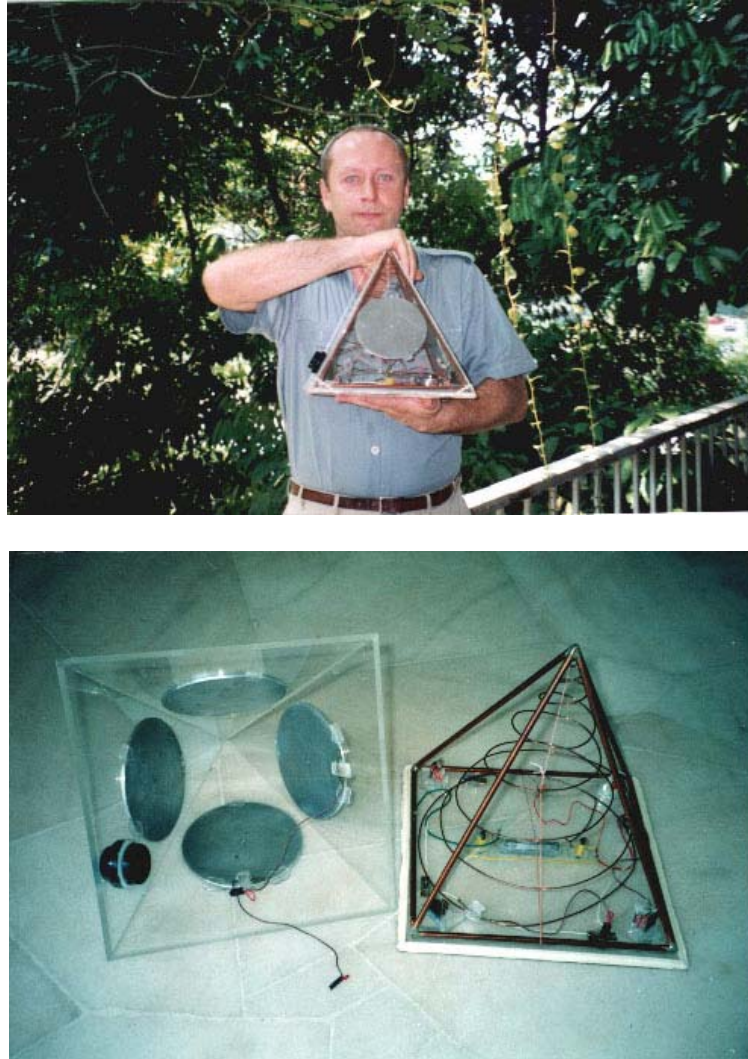
- Parts of solid objects subjected to the action of the Telekinetic Effect can become transparent as if made of energy not matter. The appearance of such transparency can already be observed on photographs capturing telekinetic motion (e.g. it is quite obvious on photographs documenting the telekinetic motion induced by the famous English medium from the beginning of this century named Eusapia Palladino - see Figure H2). This may lead to the development of **invisibility devices** allowing people and objects/vehicles to remain unseen by others.

**#14. Showing an intelligence.** Telekinetic field, as well as telekinetised substances (and even individual atoms), in some cases may manifest intelligence through their behaviour. This intelligence originates from counter-matter which is the carrier of this field and which has the capability to think in a natural state - see subsection I3.

It is worth to add here, that various empirical facts which document the occurrence of almost all of the phenomena listed above has already been observed. They happen most frequently in areas where telekinetic vehicles landed or exploded.



In addition to the above I should explain, that the mechanism which releases the action of telekinetic field shows a large similarity to a mechanism of vibrations of the counter-matter, which in subsection H7.1 are described under the name of "telepathic waves". In the counter-world telekinetic effect corresponds to telepathic waves in the same way as in our world a linear force, or a constant stress, corresponds to an oscillating force or to mechanical vibrations. Because of this, many phenomena which reveal themselves under the influence of the Telekinetic Effect, must also appear in the presence of powerful telepathic waves. An example of such phenomena is the process of permanent telekinetisation. This process can be caused both by a telekinetic field, and by telepathic waves. Also many other attributes described in this subsection can be induced by powerful telepathic waves. Similarities of consequences of telekinetic field and telepathic wave increase even more, when telekinetic field is alternating.

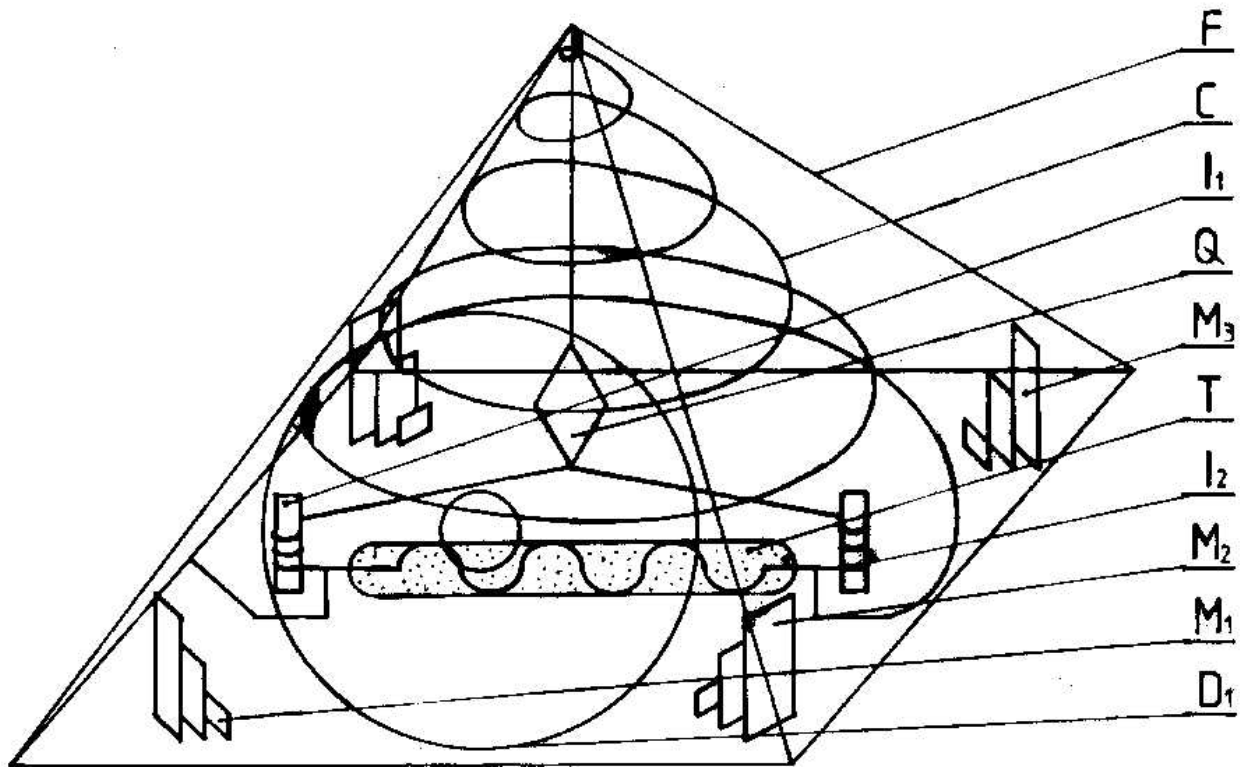


**Fig. K1. A photograph of the pyramid.** Shown is a prototype of this device built in Poland, but not made operational. More details about the purpose, operation, and theory behind this device is provided in treatise [7], in chapter G of monographs [3] & [3/2], as well as in chapter L of this monograph.

Research on the prototype completed by Mrs Daniela Giordano indicated that after an alternating current of high frequency is supplied to the device from an external source (e.g. from a radio) the pyramid produces some kind of telepathic signal. However, her prototype still hides some construction errors which make it impossible to operate according to the original specification of the giver. To eliminate these errors, further theoretical research and physical development needs to be carried out.

**(Top)** The side view of the whole pyramid. The device is held by myself (Dr Jan Pajak) in a manner similar as the little being with blue eyes held it in his hands. During such holding the biofield of the user infiltrates through the active space of the device. Because this biofield carries the thoughts of the user, it modifies with these thoughts the state of the optical interference cavity. In turn the modifications of this optical interference cavity are imposed onto the electrical oscillations from the pyramid's resonator, thus modulating these oscillations. After the modulation into magnetic vibrations these thoughts are emitted into space from which they can be intercepted by another similar device. After being intercepted these thoughts are demodulated and superimposed on the biofield of another user, thus appearing in his/her mind as another set of thoughts imposed on his/her own.

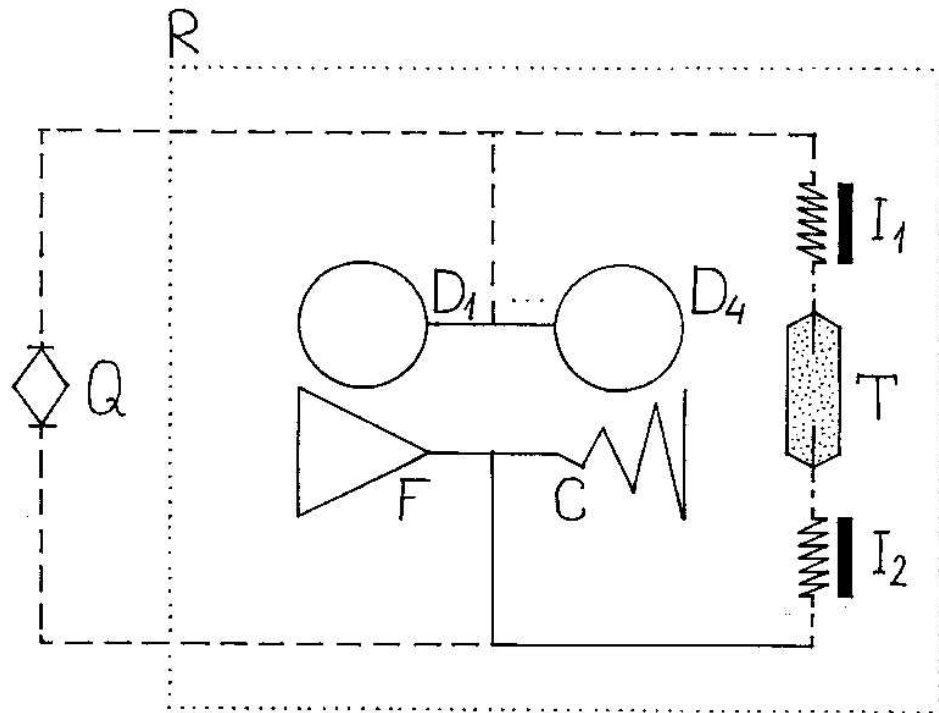
**(Bottom)** The inner components of the pyramid. The casing (hat) is visible from underneath after being put aside on the right.



**Fig. K2. The general shape, design, and main components of the pyramid.** This illustration is prepared as if all the elements were transparent, i.e. through subsequent components the elements, shapes, and connections placed behind them are visible. It represents a repetition of Figure N2 from monographs [1/3] and [1/2], Figure D2 from treatise [7/2], and Figure 1 from treatise [7].

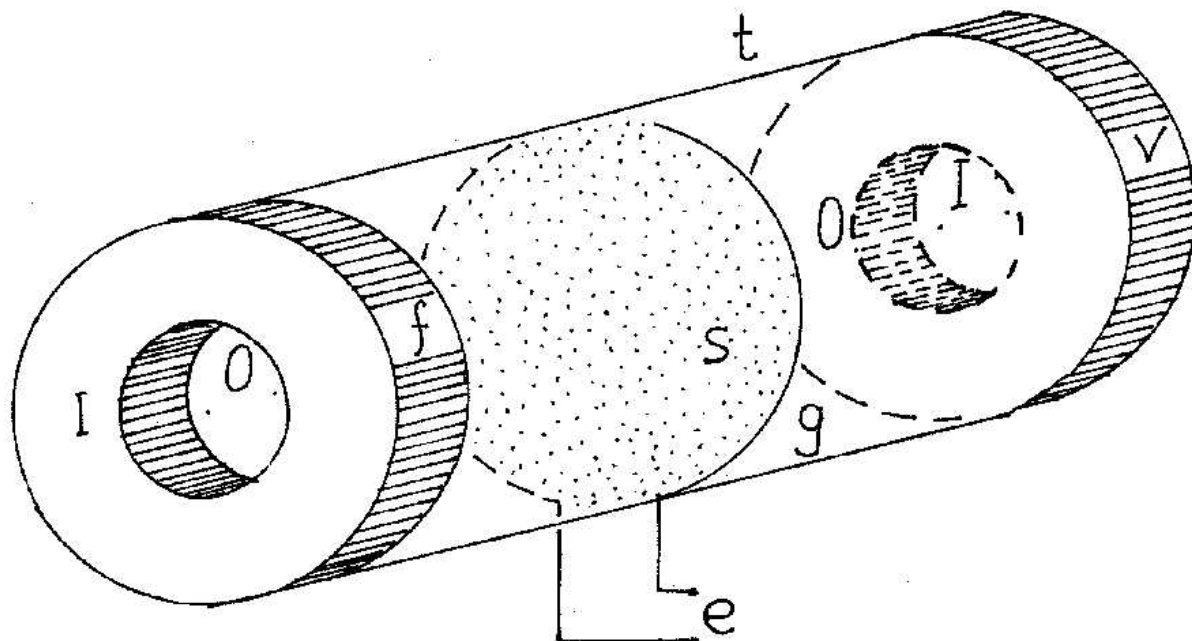
This device is shaped as a pyramid of around 27.5 [cm] high. Its wiring and main components are hermetically enclosed inside a pyramidal casing made of perspex or glass. The casing hosts: a copper frame (F) shaped like a pyramid and aligning each corner of the casing, a conical coil (C) also made of a copper wire, four aluminium disks ( $D_1$ ), ( $D_2$ ), ( $D_3$ ), ( $D_4$ ) attached to the side walls of the pyramidal casing - one of them ( $D_1$ ) should have a small hole in the centre, quartz crystal (Q) placed at one-quarter of the height, phial (T) placed in the centre of the base, two inductors ( $I_1$ ) and ( $I_2$ ), and four cascades of mirrors ( $M_1$ ), ( $M_2$ ), ( $M_3$ ), ( $M_4$ ) placed in four corners of the base. All these components should not touch each other, although they should be electrically connected together according to the original instruction. Their electrical properties should fulfil the condition of "harmonic" proportions.

The phial (T) should be half filled with ordinary kitchen salt, half with mercury. It is recommended that it should work under a vacuum. Both inductors ( $I_1$ ) and ( $I_2$ ) are made of small bar magnets with copper wiring tightly wined around them. Each cascade of mirrors (M) is made of three small mirrors of descending heights. The copper frame (F) is simply eight pieces of copper wire joined together so that they form the shape of a pyramid. It is recommended that the whole pyramid should be under a vacuum.



**Fig. K3. The electrical diagram which illustrates the basic circuits and connections existing in the pyramid.** It is reproduced from Figure N3 of monograph [1/4]. The continuous lines indicate the connections that were described to Mrs Daniela Giordano in the original disclosure. The broken lines indicate electrical connections which were not included in the original disclosure, but the existence of which is explained by theories described in chapter L of this monograph (chapter L explains the phenomena, principles, and basic circuits involved in the pyramid's operation). The above diagram illustrates my knowledge about the operation of this device at the time of writing this monograph (the further theoretical research which I continually carry out, combined with experiments which hopefully will be inspired by this monograph and may be completed by readers, in future may introduce some improvements to this diagram).

Names of subsequent components of this pyramid are reflecting the use of this device as a telepathyser. The corresponding names of the same components for the operation of the pyramid as a telekinetic battery are explained in subsection K2.4. The pyramid is composed of the following main circuits and individual components: (1) receiving antenna for telepathic waves. It is composed of the quartz crystal (Q) placed in the focal point of the telepathic resonance cavity that is formed from four aluminium disks ( $D_1, D_2, \dots D_4$ ). (2) The modulating and demodulating circuit (resonator - R). It is composed of such components as inductors ( $I_1$ ) and ( $I_2$ ), a glowing tube (T), and a vacuum capacitor. The capacitor is formed out of two types of "plates" (which differ in shapes), separated from each other with a layer of vacuum (or air). The first of these "plates" is formed from four aluminium disks ( $D_1, D_2, \dots D_4$ ) connected together. The second "plate" of the capacitor is formed from a conical coil (C) and a frame (F) connected to it. In order to increase the communicativeness of this diagram, the resonator circuit is marked with a dotted line (R). (3) The optical interference chamber/cavity which functions as an "inouter" for thoughts. It is composed of: a glowing tube (T) and not shown here four cascades of mirrors (M) which cooperate with this tube. (4) Emitting antenna which forms the telepathic waves and sends them throughout counter-world. It has a shape of a conical coil (C).



**Fig. K4. A revealing device.** It represents a simplified, self-defence version of telepathic telescopes. Such devices, if completed, would enable us to see our cosmic parasites which so-far successfully were hiding from our sight by entering a state of telekinetic flickering. More thoroughly the design of this device is described in treatise [7B].

A state of telekinetic flickering is accomplished by switching on a sequence of fast pulses of the telekinetic field. Each such a pulse is turning the object that is wrapped into this field into a transparent energy pattern or cloud. But between these pulses the object remains material and visible. Therefore, if such a flickering is fast enough, the object becomes unnoticeable for our eyes, similarly as in our motion pictures the flickering of individual frames becomes invisible for us. But each pulse of the telekinetic field can be intercepted by the device showed here, and revealed as a glowing shape. Therefore the revealing device illustrated here allows us to see normally invisible UFO-nauts and their vehicles. They appear as glowing figures at the device's electromagnetic screen (s).

As this is the case with optical telescopes, also the revealing devices are composed of a main **tube** (t), on which all other components are to be assembled. At the frontal part of this tube a **focusing magnetic lens** (f) is assembled. At the rear part of the same tube the **viewing magnetic lens** (v) is assembled. In a simplified, self-defence version of the telepathic telescopes called here "revealing devices", such lenses (f) and (v) are simply permanent magnets (or permanent electromagnets which use DC). In centre of the tube an **electromagnetic screen** (s) is formed - see the dotted plane extending across the tube (t). This screen is composed of a **collision surface** and the **athwart electrostatic field**. The collision surface (s) is formed by the two magnetic fields bumping into each other with their magnetic poles (O) which represent an "outlet" for flow of counter-matter (for the notation of magnetic polarity used by present physicists: O=N). The **athwart** electrostatic field which is spreading from two thin **electrodes** (e) extending along the peripherals of the collision surface and placed at the opposite side of the tube (t). The whole interior of the tube must be filled up with an **extraction glow** generating substance (g).





**Fig. K5. Appearances of devils** captured on official portraits of these creatures, that so far I managed to locate and to photograph.

**(Upper)** A photograph of a sculpture of devil from the entrance to toilets on the High Castle in Malbork, Poland.

**(Middle)** A photograph of devil from church in Rabczyce (Slovakia), not far from Babia Gora in Poland.

**(Lower)** A photograph of devil the figurine of which is present in an unidentified church (probably somewhere in France). This photograph of a devil, but deprived of any description, was published in the English Journal "The Unexplained".



**Fig. K6. A device for remote detection of impending earthquakes.** It is known under the misleading name of the “Zhang Heng Seismograph”. The above photograph shows a half-size bronze replica of this wonder device originally build in 132 AD in China. This copy was given to New Zealand by the Municipality of Beijing. In 2003 it was on exhibition for everyone's viewing in the museum called Te Papa in Wellington, New Zealand. It is claimed to be the first such a replica exhibited outside of China.

The device shown here has a form of a barrel-shaped fountain. Around peripherals of the barrel eight stylised dragons are mounted. From mouths of each dragon a stream of water is flowing, which falls into mouths of a frog located below. Dimensions, and technical parameters of the barrel-shaped chamber of this fountain are so selected, that the outflow of the stream of water from dragons' mouths has the character which by hydromechanics is described as a "laminar flow". This flow is forming a minimal value of friction. Therefore round "pearls" placed in mouth of each dragon are staying on their places. But if an earthquake is to strike, then a rapid burst of telepathic waves formed by this earthquake reflects from the inner concave surface of the barrel-shaped chamber of this fountain, similarly like light reflects from a concave mirror. Depending on the direction from which these waves come, they focus only at the outlet of water to one of dragon's mouth. The effect of these focused telepathic waves is that they change the previous so-called "laminar flow" of water through the dragon's mouth, into the so-called "turbulent flow". In turn the turbulent flow causes a much higher friction between water and the surface of metal "pearl". Such a high friction is now able to drag the "pearl" with water out of the dragon's mouth. The "pearl" falls down to mouth of a bronze frog below, making a loud sound of alarm. By finding out from the mouth of which dragon this "pearl" falls out, the direction of the incoming earthquake is revealed. In turn this direction indicates whether a given earthquake is to cause tsunami waves, landslides, etc.