

IBF-Akustik

Dipl.Ing.(FH) Wolfgang Frank * Alexanderstr. 66 * 68519 Viernheim,
Germany

☎ +49 (0) 6204 911 24 91 📠 +49 (0) 6204 911 24 90

✉ sales@ibf-akustik.de 📧 support@ibf-akustik.de 🌐 www.ibf-akustik.de



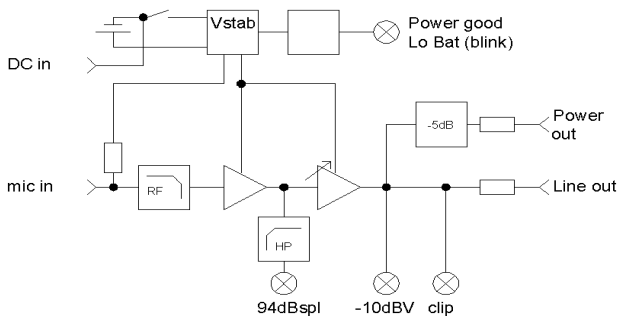
Acoustic Measurement Preamplifier MP-1r



Today's high-quality soundcards have made audio and acoustic measurements very popular. There are a lot of computer programs available using those soundcards as an analog to digital frontend but the problem is, that these systems usually don't come with a suitable and of course payable microphone and preamp. You can't measure the acoustic behaviour of your listening room or your speakers with a voice grade microphone. You have to use a mic and amp with a flat frequency and phase response. Our MP-1r will be the right choice.

The ibf-akustik MP-1r is a very compact, portable 1-channel microphone preamplifier. While the cheaper MP-1 comes as a stand alone product (mic has to be ordered separately), our MP-1r includes our calibrated EMM-8cal measurement microphone, is trimmed for accurate mic sensitivity and has all r-options built in.

The MP-1r provides all to make accurate acoustic measurements.



Key features

- Max. 52dB gain (12dB fixed + 40 dB variable)
- output level through -10dBV consumer level up to +4dBu for professional soundcards
- bias supply for calibrated EMM-8cal
- input RF filter
- clipping indicator (bipolar detection) +3dBV
- power good / low battery status LED
- single 9V battery operation
- mic and amp matching
- 94dB acoustic reference LED (adjusted for 1kHz, unipolar detection)
- gold plated RCA (Cinch) input and output
- -10dBV reference LED
- connector for plug in power supply
- additional long cable/headphone output

Specification:

Number of preamplifier channels - 1 Mic

Connectors - RF phono jacks for both inputs and outputs

Input - unbalanced, capacitor coupled, input impedance >2kOhm

Output - unbalanced, capacitor coupled, min load

2kOhm, short circuit protected, guaranteed output level without clipping +3dBV (full battery) Note: 0dBV=1Vrms

Power output - 3.5mm connector, low impedance drive capability (ideal for driving long cables and head/earphone), reduced output level -5dB

Gain Range - up to 52 dB input to output

Frequency Response - 20 Hz - 20 kHz, +/-0.2 dB (relative to 1 kHz)

Output Clipping Level - 4Vpp (2 k \cdot load)

Clipping indicator LED - Red indicates clipping short attack time, long release time. Bipolar detection

THD < 0,02% , THD & Noise < 0.04% , SNR > 70 dB

Bias Supply - typ. 2.5V coupled via 2.7kOhm resistor

Power - 1x 9V batterie, plug-in power supply connector

Power LED - Green indicates power ON, blinking LED indicates low batt. (Vbatt < 7V)

Acoustic REF LED - 94dB acoustic reference LED (off / bright / weak indicates < = > 94+-1 dBspl)

-10 dBV LED - Consumer Level reference LED (off / bright / weak indicates < = > 10+-2 dBV)

Polarity - Mic input to line output is non-inverting.

Operating Temperature Range

0 to 40 degrees Celsius (32 to 104 degrees F)

Power up delay - approx. 10 sec

Dimensions

34 mm x 68 mm x 120 mm (h x w x d) (1 11/32" x 2 11/16" x 4 23/32")

Weight (unit only)

120 grams (4 1/8 oz.) *battery removed*

Certification

CE Conformity statement