



New York State Testing Program

Mathematics Test Book 2

Grade **6**

March 12–16, 2007

Name _____



Developed and published by CTB/McGraw-Hill LLC, a subsidiary of The McGraw-Hill Companies, Inc., 20 Ryan Ranch Road, Monterey, California 93940-5703. Copyright © 2007 by New York State Education Department. All rights reserved. No part of this publication may be reproduced or distributed in any form or by any means, or stored in a database or retrieval system, without the prior written permission of New York State Education Department.

TIPS FOR TAKING THE TEST

Here are some suggestions to help you do your best:

- Be sure to read carefully all the directions in the test book.
- You may use your tools to help you solve any problem on the test.
- Read each question carefully and think about the answer before writing your response.
- Be sure to show your work when asked. You may receive partial credit if you have shown your work.



This picture means that you will use your ruler.



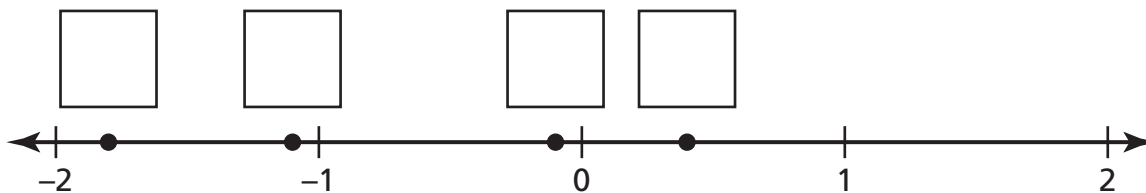
This picture means that you will use your protractor.

26

Komiko wants to plot the numbers below on a number line.

 -1.8 0.4 -0.1 -1.1

In the boxes above the points on the number line, write the correct number for each point.

***Go On***

27

On Tuesday, Grace’s Flower Shop sold 124 flowers. At the end of the day, there were 237 flowers left in the shop. Grace used the equation below to find the total number of flowers, f , that were in the shop at the beginning of the day.

$$f - 124 = 237$$

Part A

What was the total number of flowers in the shop at the beginning of the day?

Show your work.

Answer _____ flowers

Part B

On the lines below, explain how you determined the value of f .

28

Carlos burns 75 calories for every 15 minutes he walks.

Part A

How many calories will Carlos burn if he walks for 45 minutes?

Show your work.

Answer _____ calories

Part B

Carlos wants to burn 300 calories. How many minutes must Carlos walk in order to burn 300 calories?

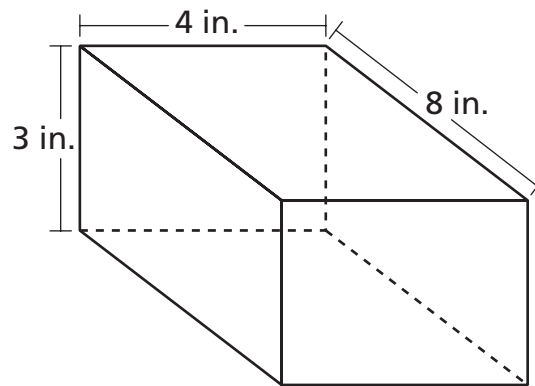
Show your work.

Answer _____ minutes

Go On

29

Ava has a jewelry box in the shape of the rectangular prism shown below.



[not drawn to scale]

$$V = lwh$$

What is the volume, in cubic inches, of Ava's jewelry box?

Show your work.

Answer _____ cubic inches

30

A bag of dog biscuits contains 7 flavored biscuits. There are 2 cheese biscuits, 3 bacon biscuits, and 2 beef biscuits. Melissa randomly picks one biscuit out of the bag. What is the probability that Melissa picks either a cheese biscuit or a beef biscuit?

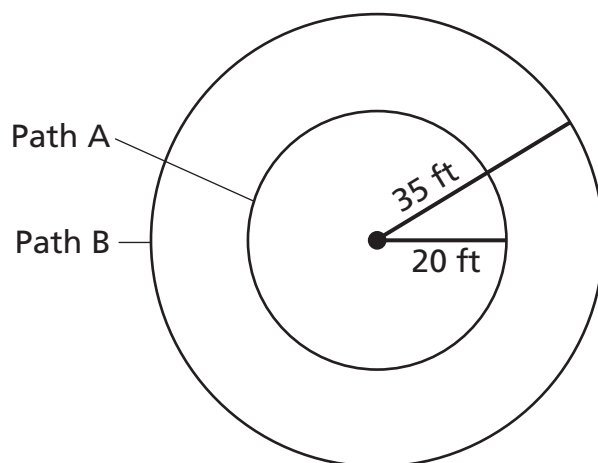
Show your work.

Answer _____

Go On

31

The diagram below shows the paths of two riders on a merry-go-round.



[not drawn to scale]

$$C = 2\pi r$$

How much **greater**, in feet, is the circumference of Path B than Path A?

Leave your answer in terms of π .

Show your work.

Answer _____ feet

32

Ms. Chen asked Tanya to find the value of the expression below.

$$5 \times 4^2$$

Part A

What value should Tanya write for the expression?

Answer _____

Part B

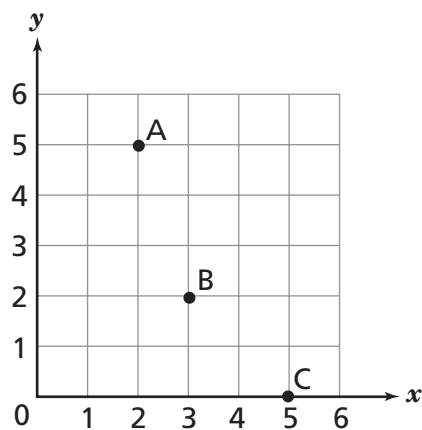
What is the value of the expression if the exponent is changed from the digit 2 to the digit 3?

Answer _____

Go On

33

Ellen plotted three points on the grid below.



What are the coordinates of point C?

Answer (_____ , _____)

On the lines below, explain how you determined the coordinates of point C.

34

Tyrone saved \$24 of the \$60 he earned mowing lawns. What percent of his earnings did Tyrone save?

Show your work.

Answer _____ %

Go On

35

Adrian correctly solved two equations in math class.

Part AWhat value did Adrian find for n in her first equation?

$$38 + n = 57$$

Show your work.**Answer** _____**Part B**What value did she find for y in her second equation?

$$\frac{y}{5} = 103$$

Show your work.**Answer** _____**STOP**

Place Student Label Here



Grade 6
Mathematics Test
Book 2
March 12–16, 2007

The McGraw-Hill Companies
