

Twisted Pair Ethernet (100baseTX/100baseT4)



When it comes to the Cabling rules, the High-Speed 100 MHz 100baseT is very similar to Twisted Pair Ethernet (10baseT/UTP), except: it does not make sense to connect 100baseT-hubs with a 10base2 (10Mhz) Backbone.

When it comes to the cabling:

100baseT requires UTP cat 5cable !

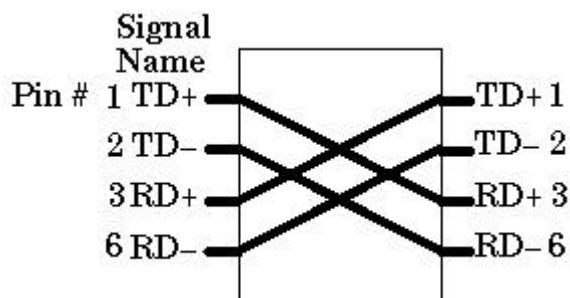
Don't try to save on the cable (100 Mhz is a very high frequency) !

And there are different kinds of cables:

- 100baseTX for 4-wire (same as 10baseT)
- 100baseT4 for 8-wire cable

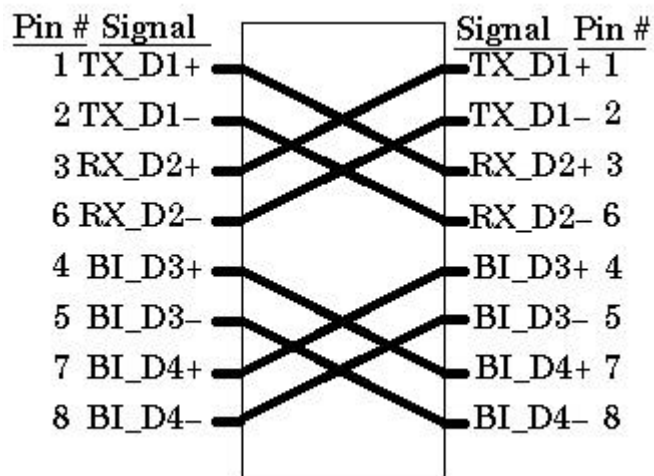
In case you need a patch/cross-cable to make a direct connection between 2 PCs or hubs, here is the wiring rules:

100baseTX



You can use for 100baseTX the same rules as for Twisted Pair Ethernet (10baseT/UTP)

100 baseT4



However: due to the high frequencies: get a hub (price for 100baseT hubs are coming down fast)