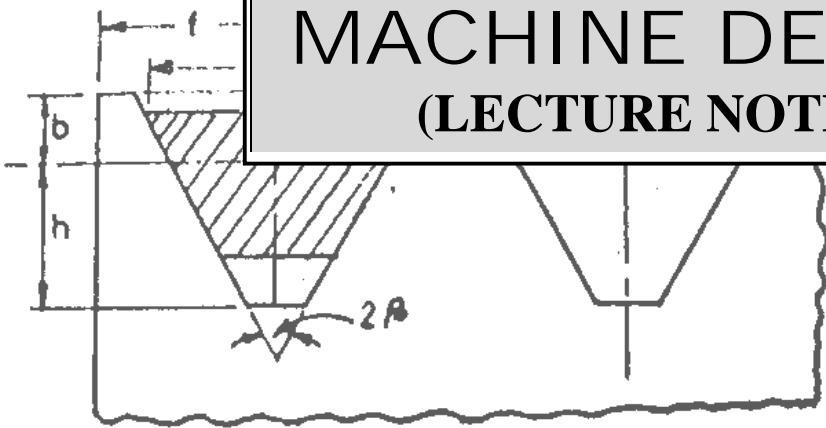
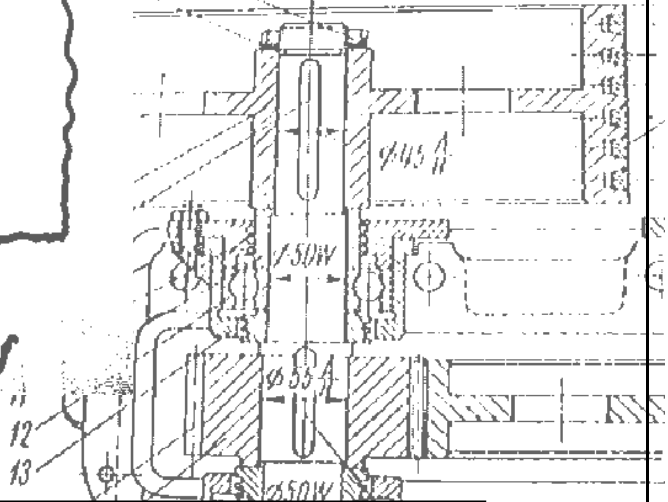


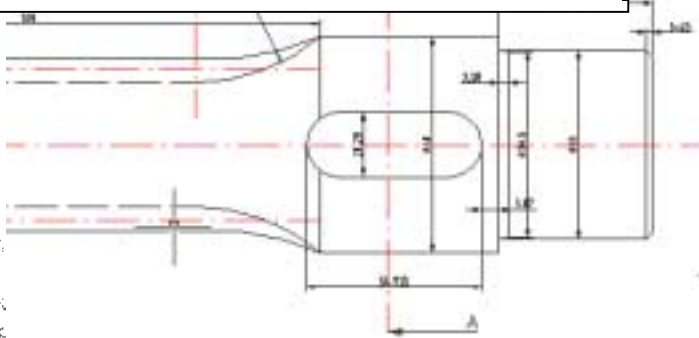
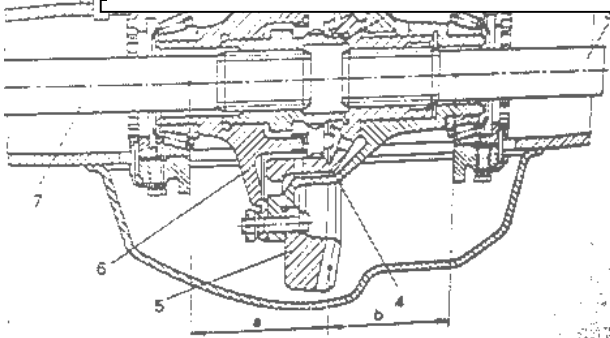
**MACHINE DESIGN
(LECTURE NOTES)**



Width of pulley = (No. of belts - 1)e + 2f



Dr. HESHAM A. HEGAZI
 Assistant Professor of Machine Design
 Mechanical Design and Production Department
 Faculty of Engineering, Cairo University



Chapter 1: Spur Gears	3
1.1 Introduction	3
1.2 Types of Gears	4
1.3 Spur Gears Terminology	5
1.4 Fundamental Relations	8
1.5 Methods of Manufacturing	10
1.6 Failure of Gears	12
1.7 Design Steps of Spur Gears	13
1.8 Gear Shapes	24
1.9 Design Example	26
Chapter 2: Belts	30
2.1 Introduction	30
2.2 Fundamental Relations	31
2.3 Calculation of Belt Length and Contact Angles	33
2.4 V-Belt Sizes	34
2.5 V-Belt Materials	34
2.6 V-Belt Design Steps	35
2.7 Numerical Example	43
Chapter 3: Shaft Design	47
3.1 Introduction	47
3.2 Design Considerations	47
3.3 Standard Size of Shaftings	47
3.4 Shaft Materials	47
3.5 Loading Conditions	48
3.6 Design for Strength (combined loads)	49
3.7 Design for Rigidity	50
3.8 Shaft Design Procedure	51
3.9 Shaft Constructions	52
3.10 Numerical Example (1)	53
3.11 Numerical Example (2)	54
3.12 Numerical Example (3)	55
Chapter 4: Rolling Bearings	58
4.1 Introduction	58
4.2 Types of Ball Bearings	59
4.3 Types of Roller Bearings	60

4.4 Bearing Dimensions	60
4.5 Bearing Life and Load	61
4.6 Bearing Selection Process	63
4.7 Numerical Example	67
References	70
Appendix A: Material Selection	71
Appendix B: Beam Diagrams and Formulas	79
Appendix C: SKF Deep-Groove Ball Bearings	83
Appendix D: Some Constructional Drawings	92
Appendix E: Miscellaneous	97