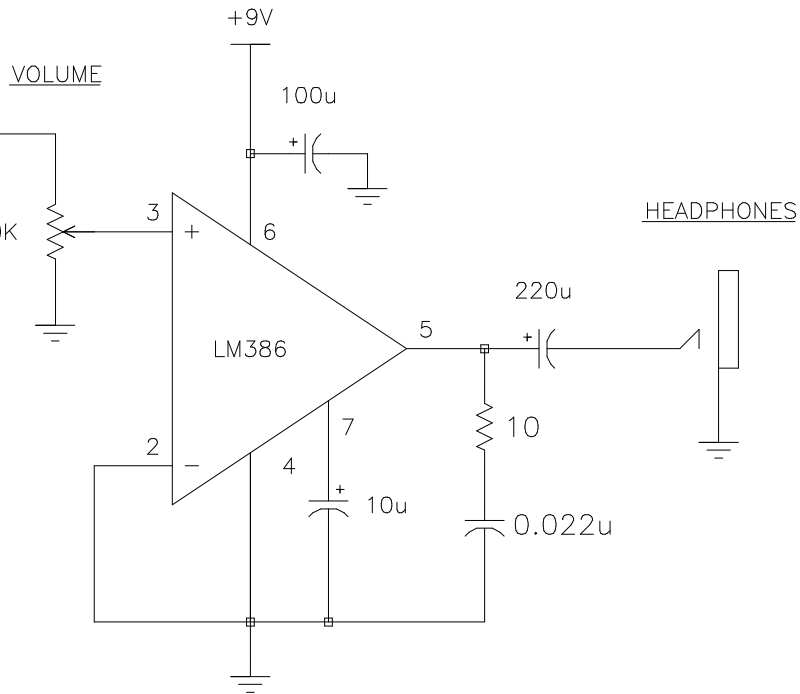
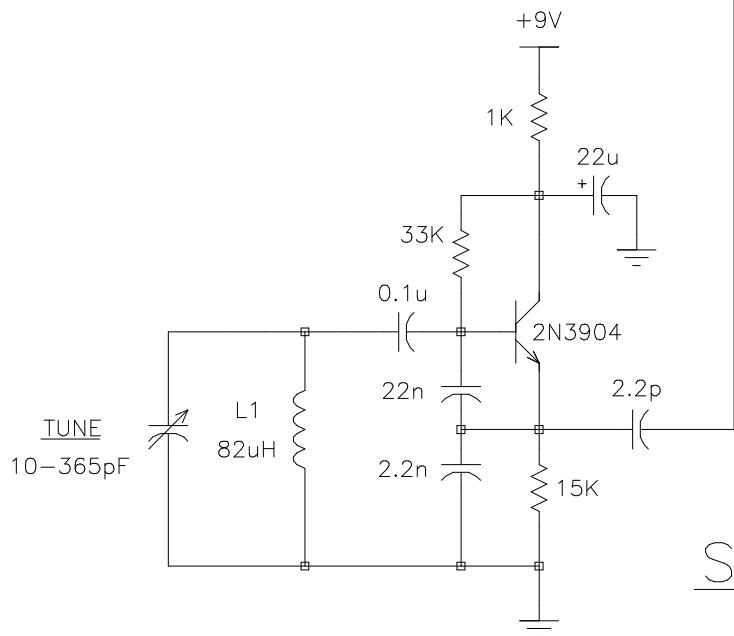
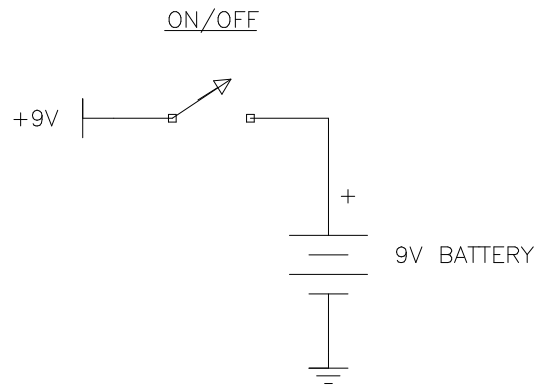
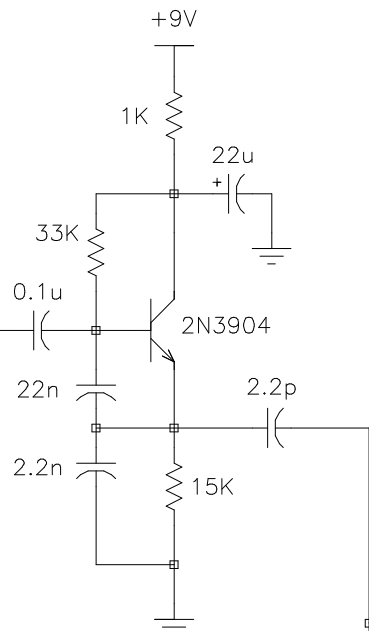
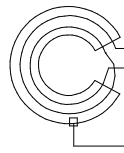


SEARCH LOOP  
 20 TURNS, AWG 22, 4" DIA  
 WRAP OUTSIDE OF LOOP  
 WITH COPPER SHIELD TAPE



# SIMPLE METAL DETECTOR

STEVE HAGEMAN 14SEP97  
[www.sonic.net/~shageman](http://www.sonic.net/~shageman)