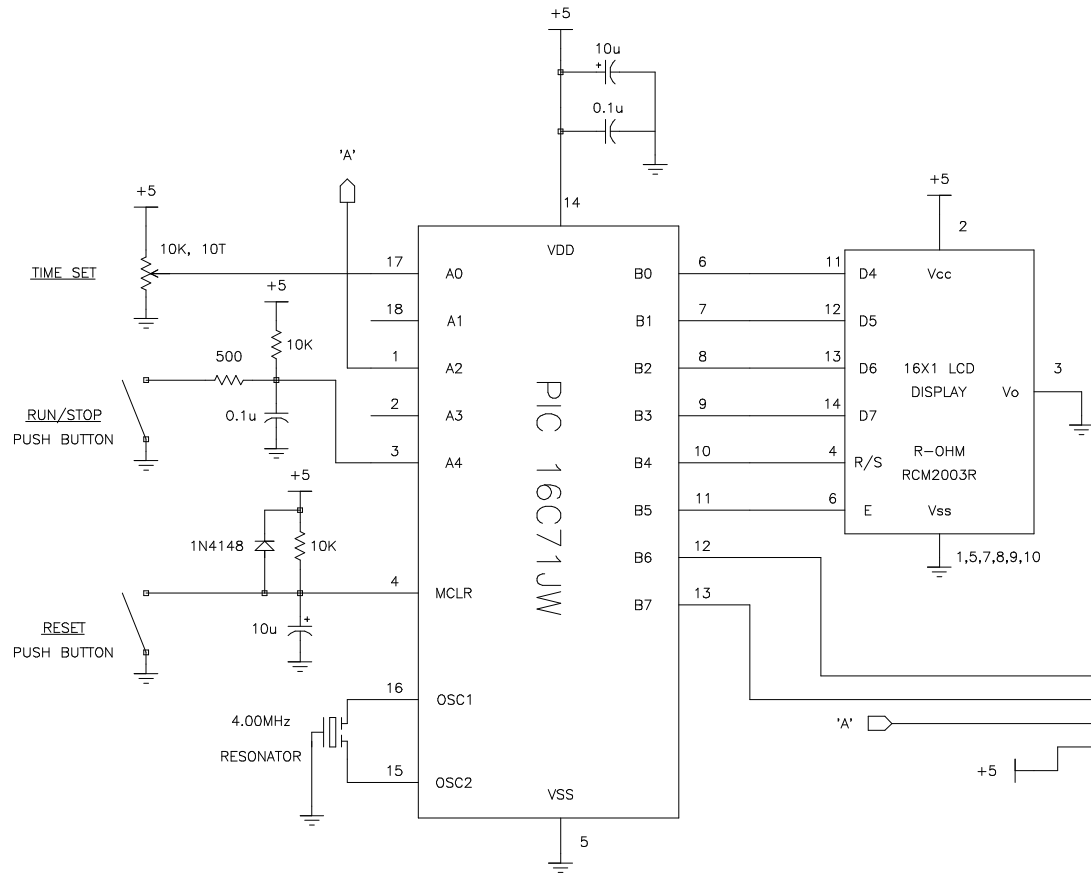
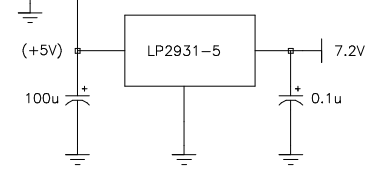
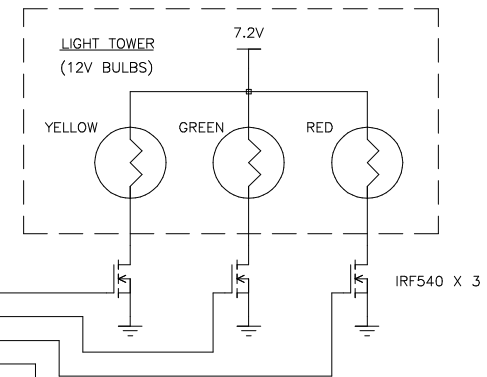
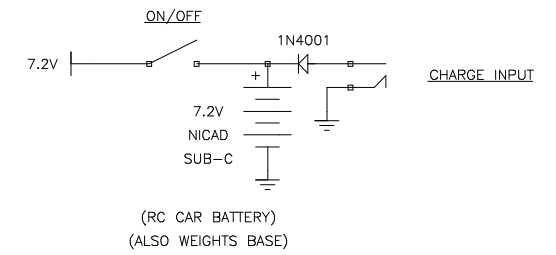


REMOTE UNIT



BASE UNIT



MEETING MINDER

STEVE HAGEMAN 9SEP96

WWW.SONIC.NET/~SHAGEMAN

- NOTES:
- 1) ALL CERAMIC CAPS 50V
 - 2) ALL RESISTORS IN OHMS, 1/4W
 - 3) ALL 10UF ARE 25V TANTALUM
 - 4) ALL UNUSED PINS ARE LEFT FLOATING