

# Rectifier

BULLETIN: 02.703/a  
MARCH 2001

## -48 VDC @ 100 AMP CONTROLLED FERRORESONANT



Model No.  
CF 100 B48N

Spec. No.  
PEC 1011N  
PEC 1011P

- UL SAFETY AGENCY LISTED UL1459
- COMPACT DESIGN
- MOUNT FOUR UNITS IN 7' X 23" RACK
- CONTROLLED FERRO DESIGN
- BUILT-IN TEST FEATURES
- PROPORTIONAL LOAD SHARING
- FULL 2 YEAR WARRANTY

**DESCRIPTION:** The PEC 1011 -48 VDC @ 100 Amp Controlled Ferro Rectifier is designed to Float and Equalize wet or sealed lead acid batteries or other similar loads. The Controlled Ferroresonant design packaged into a low profile unit provides a reliable, efficient, and cost effective design for applications that can benefit from these features.

### TECHNICAL SPECIFICATIONS

#### INPUT

Voltage:	<u>Nominal</u>	<u>Minimum</u>	<u>Maximum</u>
	220 VAC	187 VAC	254 VAC
Current:	28.50 AAC		34.00 AAC

Supply Fuse:	50 Amp Slow Blow
Frequency:	57 to 63 Hz
Power:	5990 Watts, Phases: 1
TIF:	300
Power Factor:	95%
Efficiency:	90% (Full Load)
Heat Loss:	2755 BTU/Hr
Input Cable Range:	2 Gauge - 1/0

#### OUTPUT

Voltage:	<u>Factory</u>	<u>Minimum</u>	<u>Maximum</u>
	-52.08 VDC	-48.00 VDC	-56.00 VDC
Regulation:	+/-0.5% (static)		
Current:	100 Amp DC (Nominal)		
	105 Amp DC (Limit)		

Designed for parallel operation.  
Output termination for 3/8" on 1" Center Lugs.

#### Noise: (Typical)

"Measured on a battery with an 800 AH rating"

Voice Band:	27 dBnC
Wide Band:	150 mv (Peak - Peak)
	15 mv RMS
Acoustic:	Less than 55 dBa

#### METERING (Analog)

Voltage:	0 to 75 VDC, +/-2%
Current:	0 to 150 Amp, +/-2%

#### METERING (Digital)

Voltage:	0 to 199.99 VDC, +/-1%
Current:	0 to 150 Amp, +/-1%

#### VISUAL INDICATORS

Input Power On:	Green
Output Capacitor Charged:	Red (until charged)
Equalize:	Yellow
Output Fuse Alarm:	Red
Rectifier Fail Alarm:	Red

#### SWITCHES/FEATURES

Output Capacitor Precharge
Float/Equalize
AC Input Circuit Breaker
Test Mode (Short Shunt Activated)

#### ALARMS

Low Current Alarm (Factory Set 0.5 Amp)
Rectifier Fail Alarm (Form C Contact)
Low Current
Fuse Fail
Over-Temperature

#### CONTROLS

Float Voltage Adjust:	-48 to -56 VDC
Equalize Voltage Adjust:	-48 to -60 VDC
High Voltage Shutdown Adjust:	-52 to -60 VDC
High Voltage Setting:	-59.5 VDC (Factory)
Proportional Load Sharing:	Positive, Negative, or 0.5% slope

CLICK TO EXIT

 PECO II, Inc.

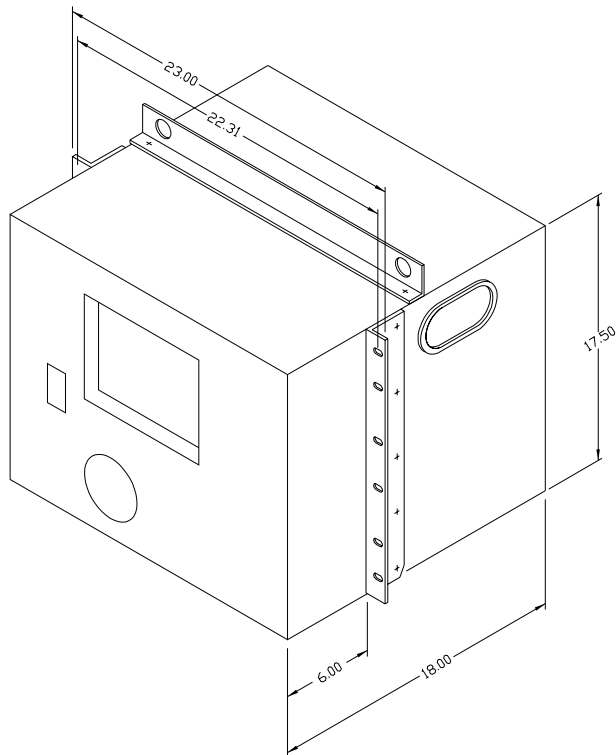
**MECHANICAL**

**Width:** 23.00 In. (584 mm)  
**Depth:** 18.00 In. (457 mm)  
**Height:** 17.50 In. (444 mm)  
**Vertical Positions:** 10  
**Front Projection:** 6.00 In. (152 mm)  
**Hole Pattern:** 1.75 In. (44.5 mm)  
**Front Access (wiring)**  
**Air Flow:** Front to Rear and Sides  
**Cable Entrance:**  
**AC Input:** Left Side  
**DC Output:** Right Side  
**Weight:** 330 Lbs (150 Kg.)

**ENVIRONMENTAL TEMPERATURE**

	<b>MINIMUM</b>	<b>MAXIMUM</b>
<b>Storage Ambient:</b>	-40°F (-40°C)	185°F (85°C)
<b>Operating Ambient :</b>		
Sea Level to 4800 ft.	32°F (0°C)	122°F (50°C)
4800 ft. to 7000 ft.	32°F (0°C)	113°F (45°C)
7000 ft. to 10,000 ft.	32°F (0°C)	104°F (40°C)
<b>Humidity:</b>	<95% non-condensing	
<b>Cooling Positions:</b>	1 (Above) 1 (Below)	

**OUTLINE DRAWING**



**DOCUMENTATION**

**Instruction Manual:** 6421011N  
6421011D  
**Mechanical Drawing:** 6061011N  
6061011D

**ORDERING INFORMATION**

<b>Part Number</b>	<b>Spec. Number</b>
6061011N	PEC1011N -48 VDC @ 100 Amp with analog metering
6061011D	PEC1011D -48 VDC @ 100 Amp with digital metering

**SPARE PARTS**

<b>Part Number</b>	<b>Description</b>
6061011NK	PEC1011N Spare Parts Kit

Specifications are subject to change without notice.  
Please contact our website for the latest version.

CLICK TO EXIT

