

EXPERIMENT NO. 2 DIODES

I. Objective

1. To be able to determine the operation of a diode when suggested to DC voltages.
2. To determine the two nodes of operation used by a diode.
3. To determine the equivalent circuit of a diode when in forward or reverse.

II. Equipment & Materials

Power Supply
12VDE lamp
VOM (600D)
Diode (In4001)
Connecting wires with alligator clips

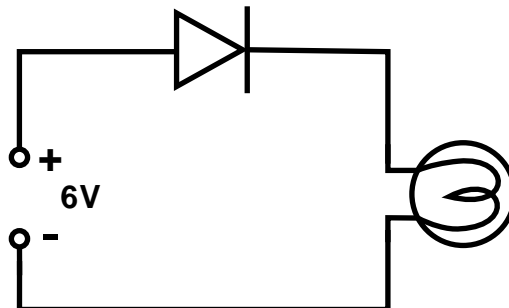
III. Procedure

1. Set your VOM to Resistance Range Scale.
2. Determine the forward and reverse bias of the diodes.

Forward Bias resistance: _____

Reverse Bias resistance: _____

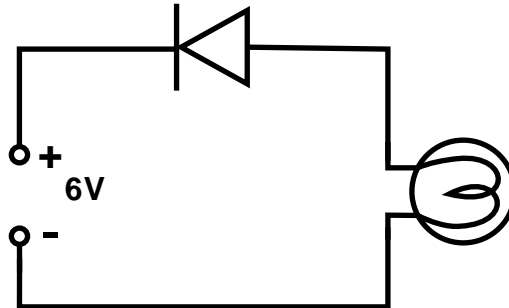
3. Assemble the circuit diagram below. Measure the voltage across the diode and across the lamp.



Voltage across the diode: _____

Voltage across the lamp: _____

4. Assemble the circuit diagram below. Measure the voltage across the diode and across the lamp.



Voltage across the diode: _____
Voltage across the lamp: _____

IV. Observation

V. Conclusion