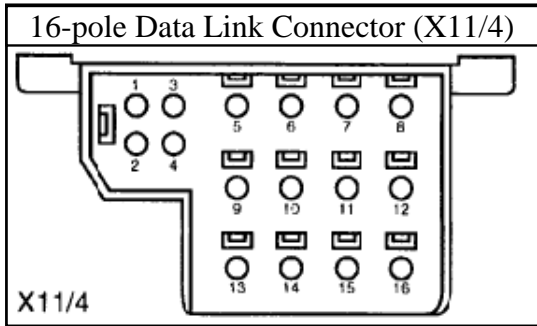


1993 Mercedes Benz 300CE (124 Chassis) L6-3199cc 3.2L DOHC (104)

16-Pole DLC (X11/4)



~~DESIGNED~~ FOR PRINT

Models 124 (except .034/036), 129 (except .060/066)

1		Ground, circuit 31
2		Not used
3	CFI	Continuous fuel injection (CIS-E)
4	EDS	Electronic diesel system
5	ASD	Automatic locking differential
5		4MATIC
6	AB	Airbag/ETR (SRS)
7	A/C	Air conditioning, Model 124
7	RB	Roll bar, Model 129
8	DI	Distributor ignition
8	HFM-SFI	HFM sequential multiport fuel injection/ignition
8	PEC	Pressurized engine control
9	ADS	Adaptive damping system
9	RB	Roll bar, Model 124
10		TN-signal (Gasoline)
11	ATA	Anti-theft alarm
12	RCL	Remote central locking
13	ETC	Electronic transmission control

14	EA	Electronic accelerator, Model 124
14	CC/ISC	Cruise control/idle speed control, Model 124
14	ESCM	Engine systems control module (MAS), Model 129
15		Not used
16		Circuit 15