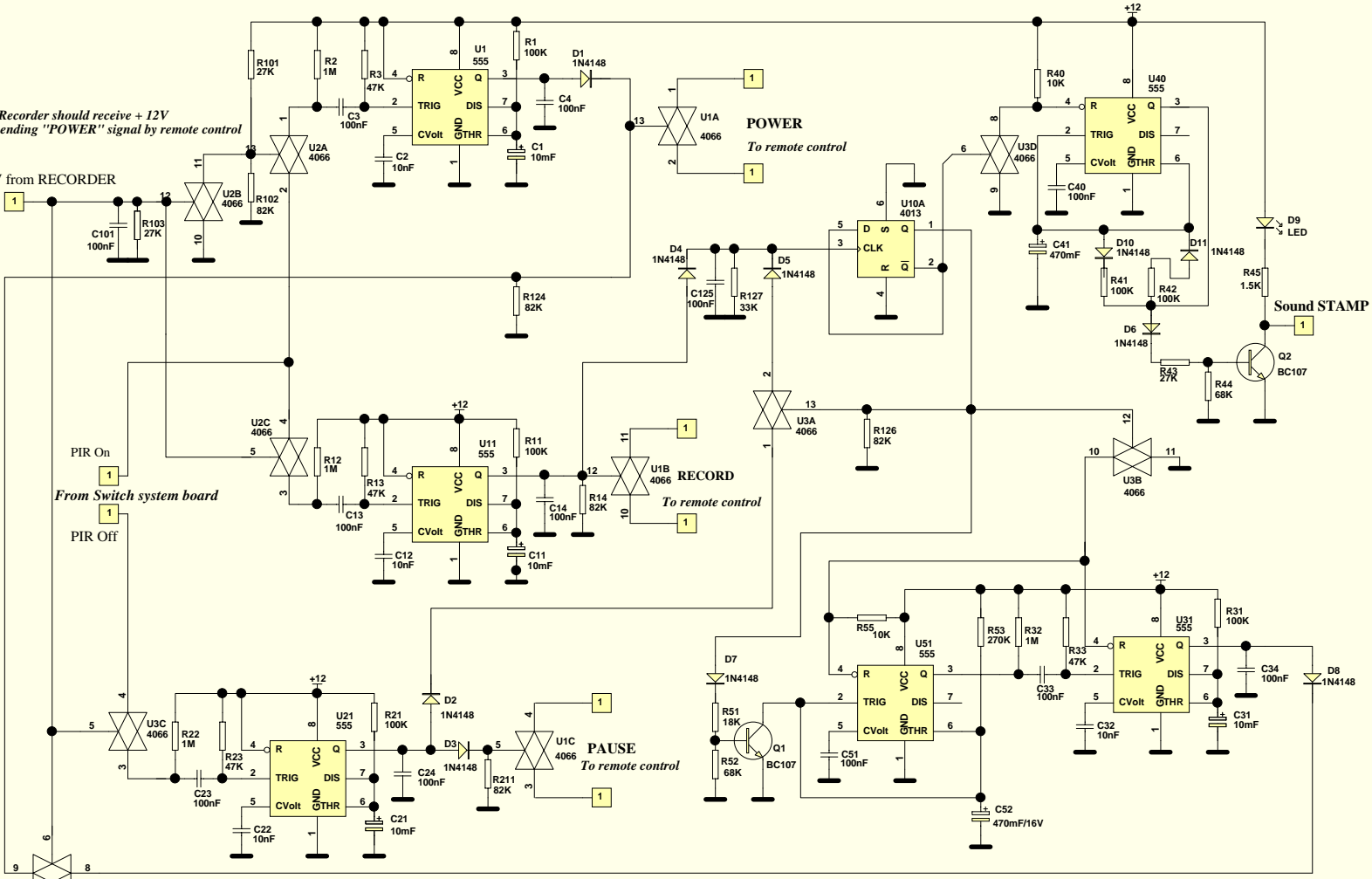


From Recorder should receive +12V after sending "POWER" signal by remote control

+12V from RECORDER

From Switch system board
PIR On
PIR Off



Recording controller