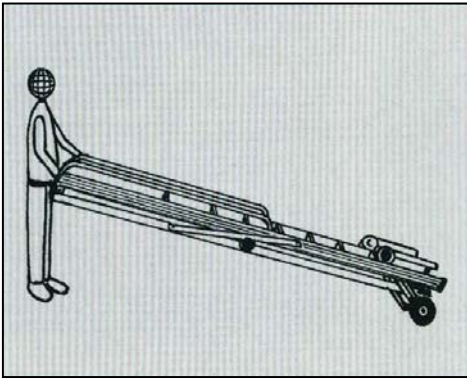


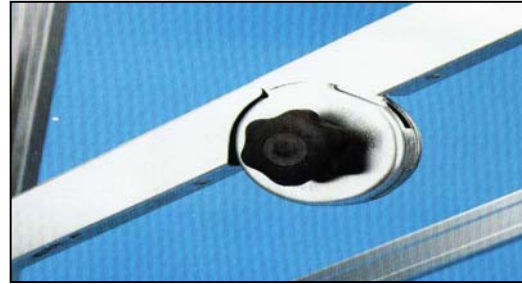


## CASTELLANA

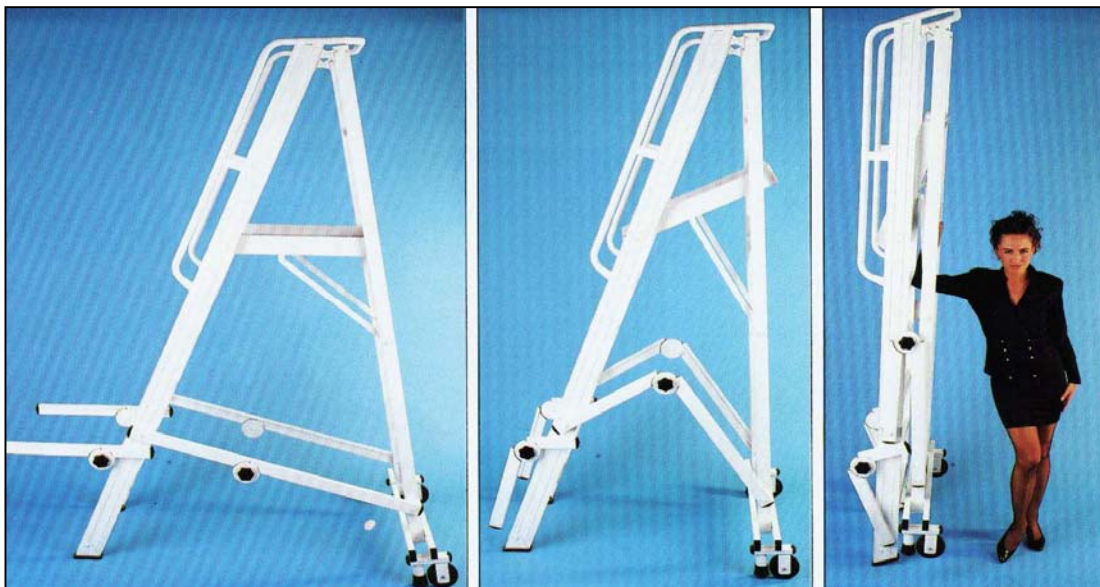
Once closed it can be easily moved by the two wheels



Patented hinge



Aluminium hinges(4) allow the closure of the ladder ,notably reducing the overhall size. Available in natural aluminium or painted with thermosetting shock-proof powders. It is packed in a plastic bag.



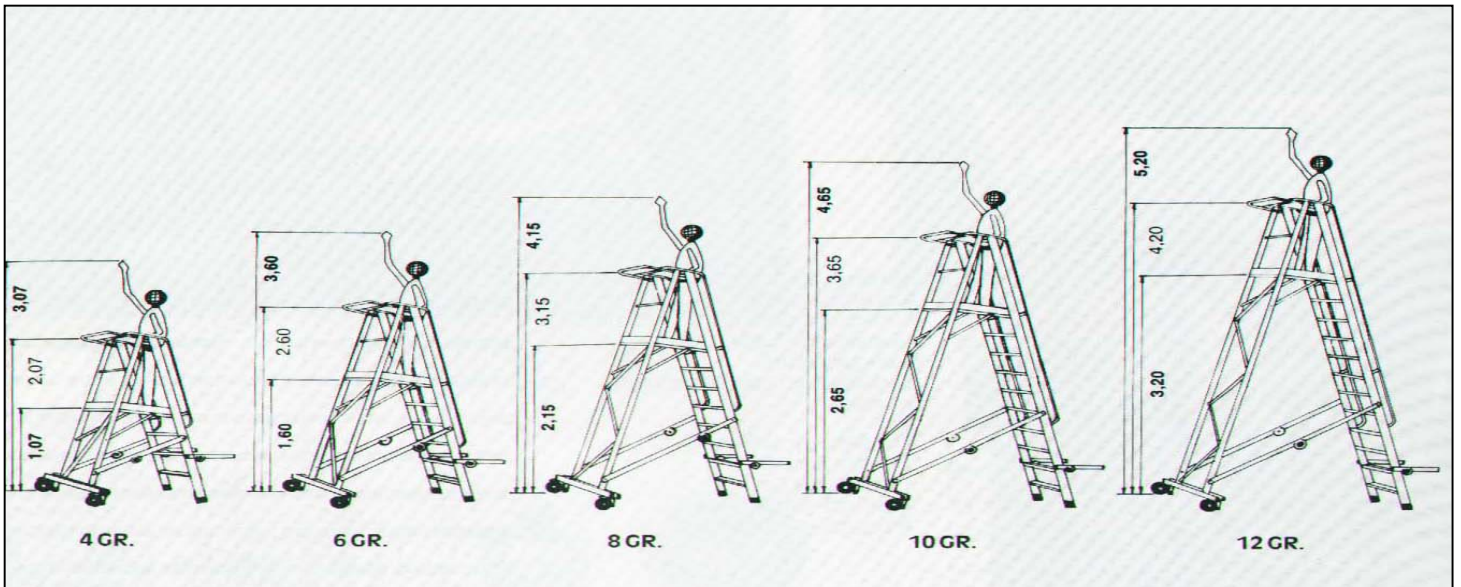
Equipped with demontable tool-holder little table



**TECHNICAL DATA.**

RUNGS N	PLATFORM HEIGHT M	TOTAL HEIGHT M	WORKING HEIGHT M	WHEIGHT KG	OVERALL SIZE	VOLUME MC
4	1,07	2,07	3,07	26	1,03x1,32	0,681
6	1,60	2,60	3,60	30	1,03x1,60	0,813
8	2,15	3,15	4,15	33	1,19x1,92	0,975
10	2,65	3,65	4,65	37	1,19x2,22	1,139
12	3,20	4,20	5,20	41	1,35x2,50	1,193
14	3,75	4,75	5,75	45	1,35x2,75	1,250
15	4,00	5,00	6,00	47	1,45x3,00	1,280

**Platform capacity Kg 150.  
Rung capacity Kg 120.**



Tel : 05/456270/1

fax:05/459353

Web Page : [www.geocities.com/florid\\_group](http://www.geocities.com/florid_group)

E-mail: [floridgroup@hotmail.com](mailto:floridgroup@hotmail.com)

P.O.Box : 11 Hazmieh-Lebanon