



VIVERGY CO.,LTD

The High-Tech Filter and Mixer

Vivergy Static Mixers ASX- Series



Standard features

Static mixers are compact in line mixing devices with no moving parts. These mixers can produce a homogeneous blend of dispersion in laminar, transitional or turbulent flow within a very short pipe length. **VIVERGY** has specially designed mixing elements to ensure the mixers do not have excessive pressure drop in the pipe line. This is achieved through research and development and the use of very accurate manufacturing machinery. The advantages of using static mixers include low capital cost, easy installation, lower maintenance, long service life and low power requirement

Applications

- Liquid Mixing
- Gas Liquid Mixing
- Flash Mixing
- Polymer Dilution
- Sulfuric Acid Dilution
- Coagulant Addition
- Phosphorous De-gumming
- Soap Splitting
- Flocculation
- pH Adjustment
- De-ionization Plants
- Chlorination
- Hydrochloric Acid Dilution
- Ceramic Conditioners Water
- FeCl₃ Addition
- Neutralization of Oils De-gumming

Contact : Vivergy Co.,Ltd.

22/1, Soi Punna Vithi 29, Sukhumvit 101 Rd., Bangchak, Phrakhanong, Bangkok 10260 Thailand
Tel: (+662) 730 5702 , Fax: (+662) 730 5701 , E-mail : floculation@yahoo.com , www.vivergy.net





VIVERGY CO.,LTD

The High-Tech Filter and Mixer

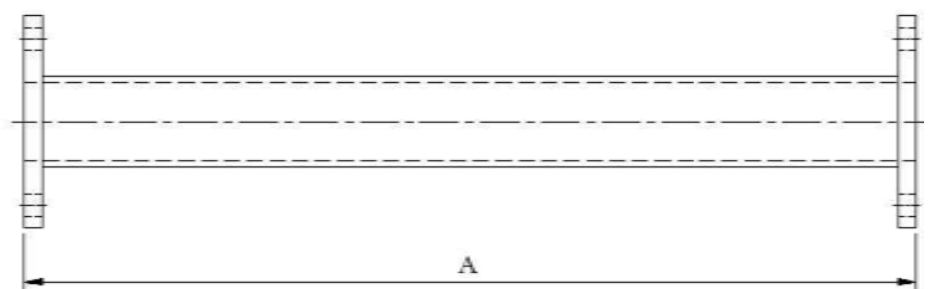
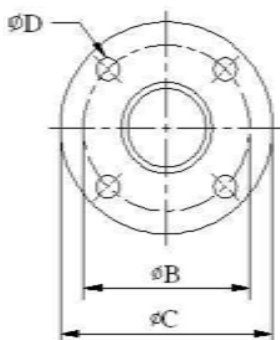
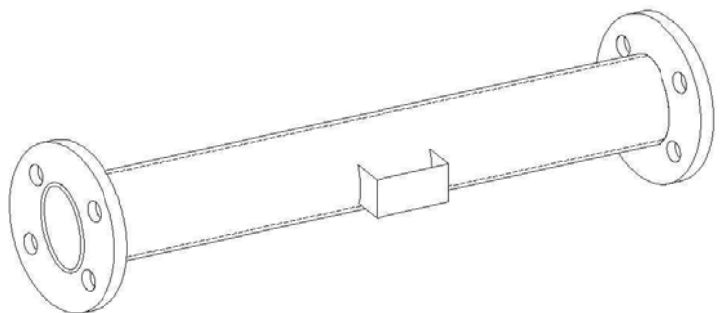
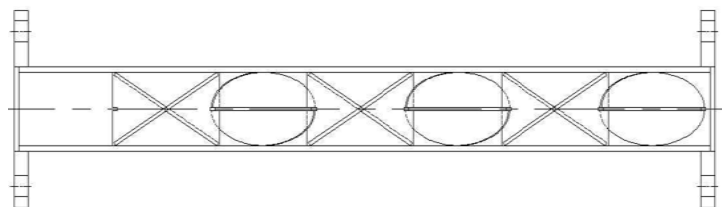
Type of Elements

Fixed Elements are carefully welded to the body of the mixer. For critical conditions welded joints are X-Rayed

Removable Elements are mechanically fixed by a series of bolts into the body of the mixer and can be easily remove by the use of a spanner. This system is more suited to systems susceptible to fouling

Materials of Construction

- Carbon Steel
- PVC
- Polypropylene
- Teflon
- Halar Coated Steel
- Stainless Steel AISI 316S
- Ceraflake Coated Steel
- Stainless Steel AISI 304
- Stainless Steel AISI 316L



Contact : Vivergy Co.,Ltd.

22/1, Soi Punna Vithi 29, Sukhumvit 101 Rd., Bangchak, Phrakhanong, Bangkok 10260 Thailand
Tel: (+662) 730 5702 , Fax: (+662) 730 5701 , E-mail : floculation@yahoo.com , www.vivergy.net

