



VIVERGY CO.,LTD

The High-Tech Filter and Mixer people

Vivergy Pressure Leaf Filters V-PLF- Series



Standard Feature

V-PLF filters are a vertical Tank type filter with vertical leaves mounted on a central outlet manifold. Vertical type filters are economical and ideally suited to location of limit floor area. The **VIVERGY** V-PLF Filters are mesh screen filters that can be used in application that are high in temperature and abrasion.

Applications

Food	Bleaching of Edible Oil, Sugar Starch Filtration Activate Carbon
Chemicals / Plastics	Resin Filtration, Activated Silica Filtration, Catalyst Filtration
Building Material	Pigments, Industrial Fibers, Abrasives, Gypsum

Special Options

Vibrator for quick cake release.	The PACT Vibration unit is equipped with variable high frequency oscillator. The stroke of oscillation is also variable.
Control Systems	For pump feeding and valve control PACT can offer a comprehensive control system to suit most applications.
Vessel Construction Standard	Vessel Construction Standard
Mesh Materials	SUS304, SUS316L and SUS316S
Vessel Materials	Carbon Steel, SUS 304 or SUS 316

Contact : Vivergy Co.,Ltd.

22/1, Soi Punna Vithi 29, Sukhumvit 101 Rd., Bangchak, Phrakhanong, Bangkok 10260 Thailand
Tel: (+662) 730 5702 , Fax: (+662) 730 5701 , E-mail : floculation@yahoo.com , www.vivergy.net



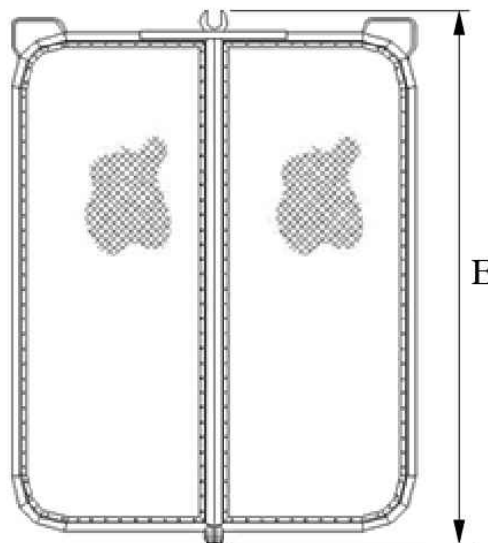


VIVERGY CO.,LTD

The High-Tech Filter and Mixer people

Table of Dimensions

Model	Filtration Area	Number of leaves	Cake volume
V-PLF-05-C05	5	5	0.125
V-PLF-10-C09	10	9	0.250
V-PLF-15-C09	15	9	0.375
V-PLF-20-C11	20	11	0.500
V-PLF-30-C15	30	15	0.750
V-PLF-38-C15	38	15	0.950
V-PLF-50-C17	50	17	1.250
V-PLF-60-C17	60	17	1.500
V-PLF-70-C19	70	19	1.750
V-PLF-80-C19	80	19	2.125
V-PLF-90-C19	90	19	2.250



Contact : Vivergy Co.,Ltd.

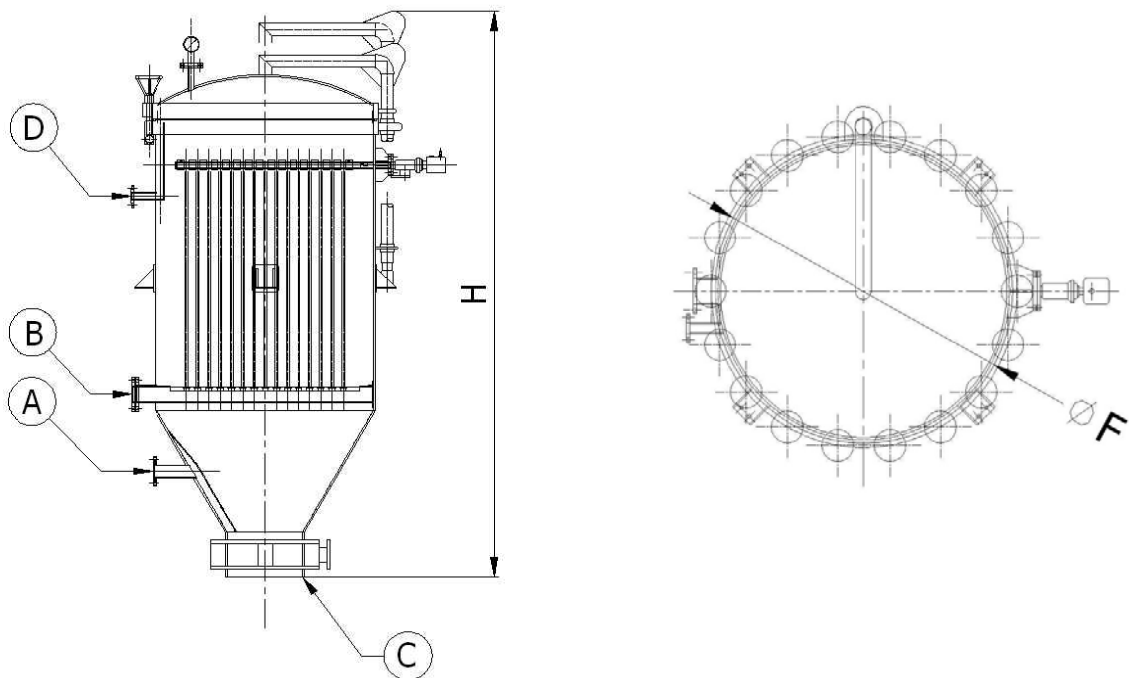
22/1, Soi Punna Vithi 29, Sukhumvit 101 Rd., Bangchak, Phrakhanong, Bangkok 10260 Thailand
Tel: (+662) 730 5702 , Fax: (+662) 730 5701 , E-mail : floculation@yahoo.com , www.vivergy.net





Detailed dimensions

Model	Vessel Diameter (mm.)	Expanded Height (mm)	A (JIS)	B (JIS)	C (JIS)	D (JIS)	E Leaf Height	Vessel Volume	Filter Weight Empty (kg)
V-PLF-05-C5	780	2,200	50	80	350	25	920	0.4	650
V-PLF-10-C9	900	1,000	50	80	350	25	920	1.0	900
V-PLF-15-C9	1000	1,400	80	100	500	25	920	1.7	1,200
V-PLF-20-C11	1225	1,400	80	100	500	25	920	2.3	1,700
V-PLF-25-C11	1380	1,500	100	125	600	40	920	3.1	1,900
V-PLF-30-C15	1500	1,700	100	125	600	50	920	4.2	2,100
V-PLF-38-C15	1500	1,850	100	125	600	50	1350	4.5	2,150
V-PLF-50-C17	1650	1,700	125	125	600	50	1350	5.9	2,450
V-PLF-60-C17	1650	1,850	125	125	600	50	1350	6.2	2,500
V-PLF-70-C19	1750	1,850	150	(2x)100	700	80	1350	6.8	2,700
V-PLF-80-C19	1750	1,850	150	(2x)100	800	80	1350	7.8	2,950
V-PLF-90-C19	1850	1,850	150	(2x)100	800	80	1350	7.8	3,910



Contact : Vivergy Co.,Ltd.

22/1, Soi Punna Vithi 29, Sukhumvit 101 Rd., Bangchak, Phrakhanong, Bangkok 10260 Thailand
 Tel: (+662) 730 5702 , Fax: (+662) 730 5701 , E-mail : floculation@yahoo.com , www.vivergy.net

