



VIVERGY CO.,LTD

The High-Tech Filter and Mixer

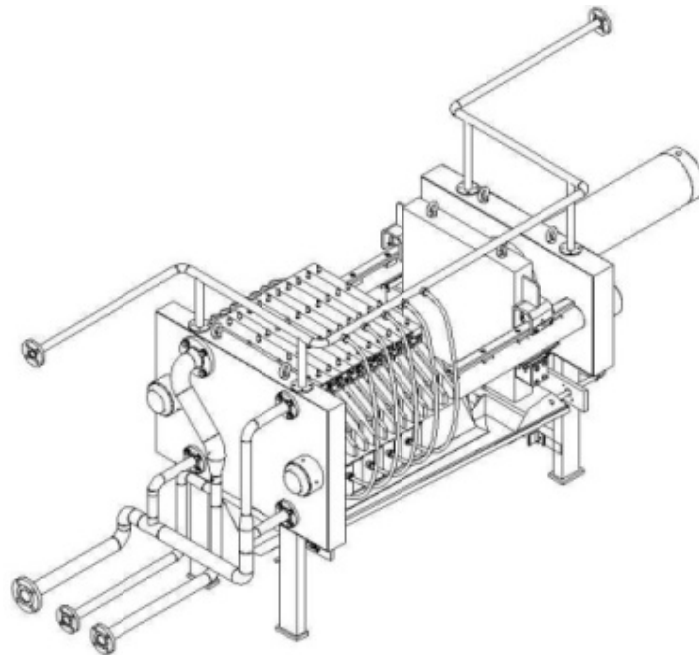
Vivergy Filter Press



Vivergy is a supplier of Chamber Filter Presses and Membrane Filter Presses.

The following is some applications our filter presses have been applied to:

- Winterization of Vegetable Oil : oil palm production
- Organic Solids Separation in the Food Industry : Wine, Beer, Liquor, Sugar starches
- Activated Sludge Dewatering for Waste Water treatment.



Contact : Vivergy Co.,Ltd.

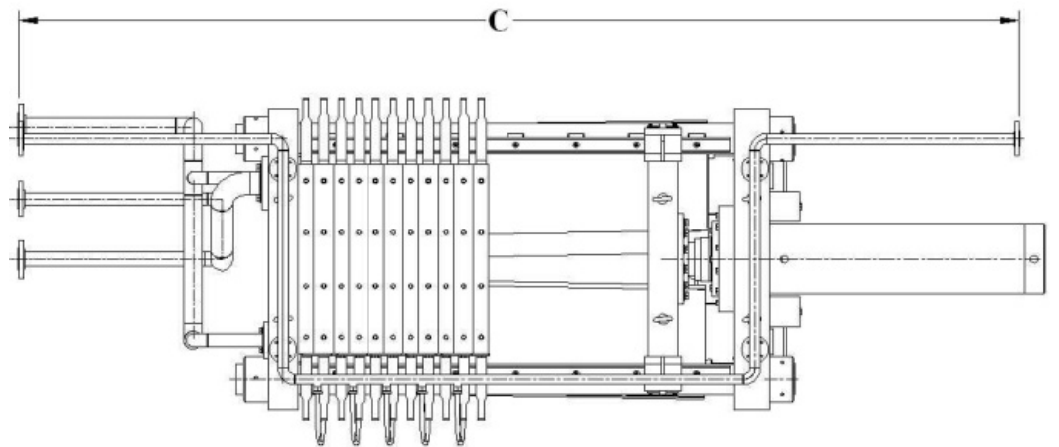
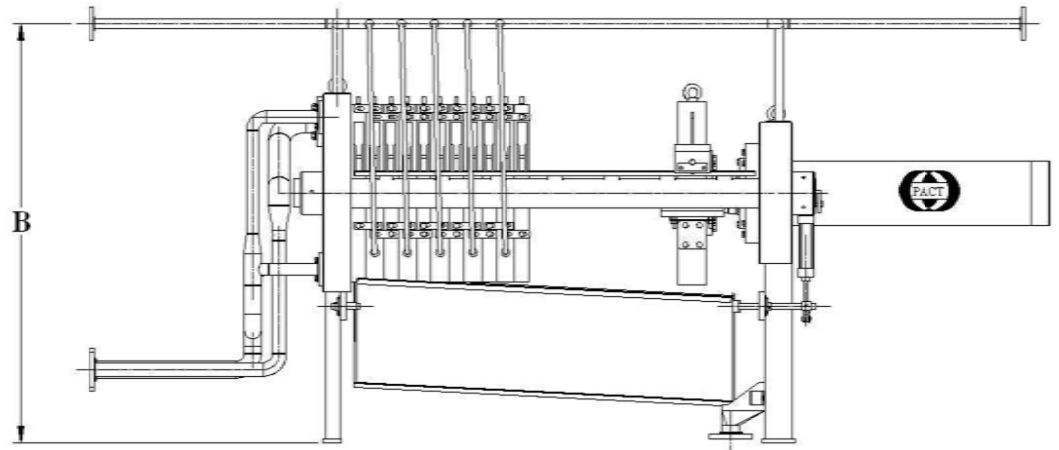
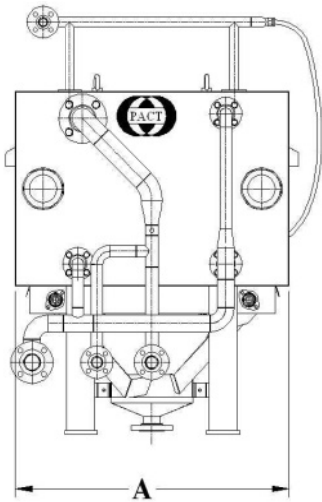
22/1, Soi Punna Vithi 29, Sukhumvit 101 Rd., Bangchak, Phrakhanong, Bangkok 10260 Thailand
Tel: (+662) 730 5702 , Fax: (+662) 730 5701 , E-mail : floculation@yahoo.com , www.vivergy.net





VIVERGY CO.,LTD

The High-Tech Filter and Mixer



Our Filter Press Features can include:

- Automatic Plate Shifting
- Automatic Plate washing
- PID Filling Control to give maximum filter press performance

Contact : Vivergy Co.,Ltd.

22/1, Soi Punna Vithi 29, Sukhumvit 101 Rd., Bangchak, Phrakhanong, Bangkok 10260 Thailand
Tel: (+662) 730 5702 , Fax: (+662) 730 5701 , E-mail : floculation@yahoo.com , www.vivergy.net

