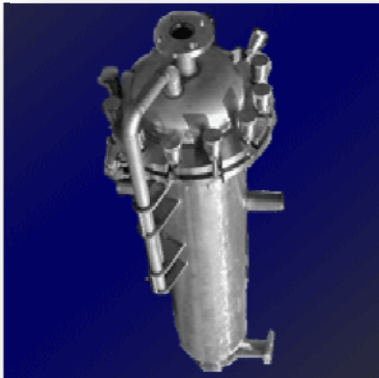




VIVERGY CO.,LTD

The High-Tech Filter and Mixer



Bag Filters AA-BF- Series

Standard features

- Easy access with eye bolts and attached opening tool
- Vessels Designed and built according to ASME Code.
- Precision machined to ensure no leak
- Inlet and outlet nozzles strategically located to avoid excess pressure drops and cake disturbances due to flow.

Applications

Food	Polishing Bleached Edible Oil, Sugar Starch Filtration, Activate Carbon
Chemicals/Plastics	Resin Filtration, Activated Silica Filtration, Catalyst Filtration
Building Material	Pigments, Industrial Fibers, Abrasives, Gypsum

Special Options

Connection Flanges	Single Bag Filters, Double Bag Filters. Multi Bag Filters
Indicators	Flow Meters, Pressure Drop Meters
Material	SUS304, SUS316L and Carbon Steel
Heating	Steam Jacketed, Internal Coil
Special feature	Side or Top Entry models in accordance to the application.

Contact : Vivergy Co.,Ltd.

22/1, Soi Punna Vithi 29, Sukhumvit 101 Rd., Bangchak, Phrakhanong, Bangkok 10260 Thailand
Tel: (+662) 730 5702 , Fax: (+662) 730 5701 , E-mail : floculation@yahoo.com , www.vivergy.net





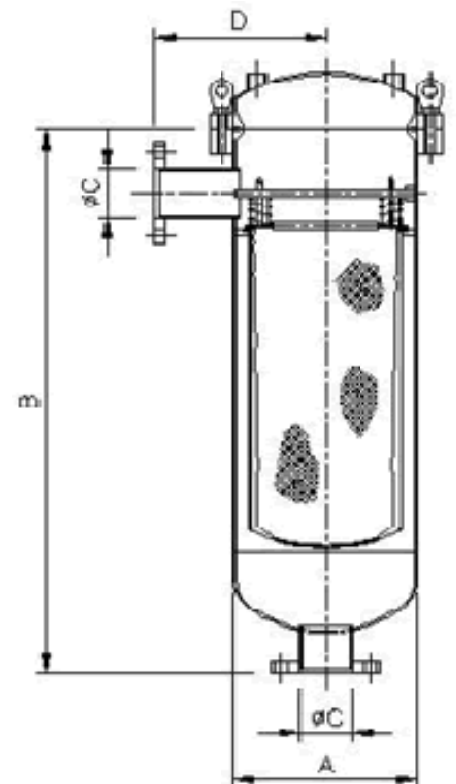
VIVERGY CO.,LTD

The High-Tech Filter and Mixer

Bag Filters Specifications

Description	Model : BF-01	Model : BF-02
Filter area (m ²)	0.25	0.5
Vassal volume (L)	20	35
Overall Dimension		
Shell Diameter A	Ø8"	Ø8"
Body Height B (mm)	680	980
Width C (mm)	220	220

Connection	
Inlet	DN 50, PN 10 (ANSI or BS on request)
Outlet	
Vent	½" G
Pressure Gauge	½" G
Connection	
Shell Pressure	8 Bar, 150°C
Jacket Pressure (Option)	3 Bar, 135°C
Material	Carbon Steel SUS304 , SUS316Epoxy , Coating
Gasket	EPDM , Neoprene



Contact : Vivergy Co.,Ltd.

22/1, Soi Punna Vithi 29, Sukhumvit 101 Rd., Bangchak, Phrakhanong, Bangkok 10260 Thailand
 Tel: (+662) 730 5702 , Fax: (+662) 730 5701 , E-mail : floculation@yahoo.com , www.vivergy.net



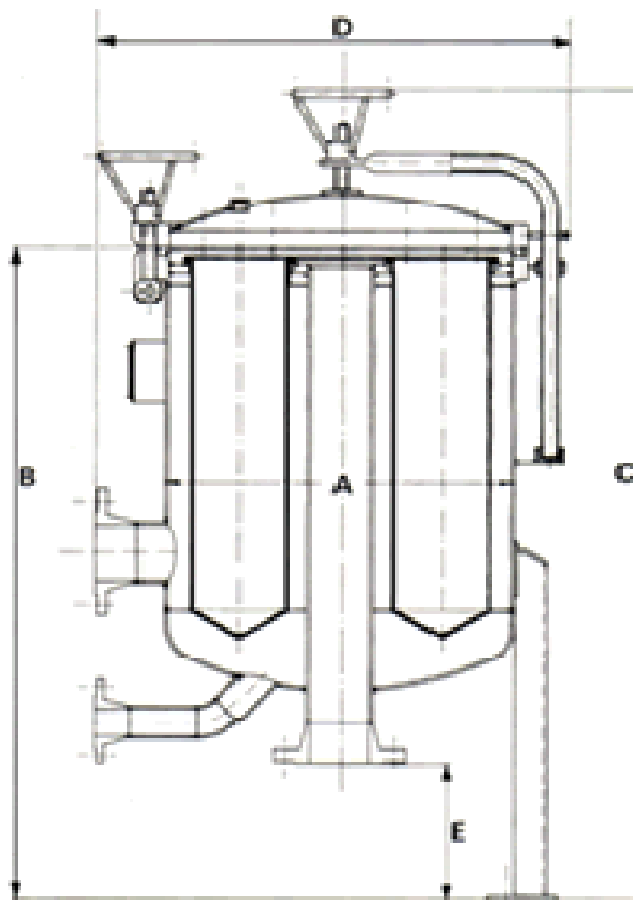


VIVERGY CO.,LTD

The High-Tech Filter and Mixer

Multi Bag Filters Specification

Model	Connection		Number of Bags	Filter Area (m ²)	Dimensions				
	Inlet	Outlet			A (mm.)	B (mm.)	C (mm.)	D (mm.)	E (mm.)
BF-03/0.75	DN50	DN50	3	0.75	500	850	1150	600	250
BF-04/1	DN50	DN50	4	1	600	850	1150	750	250
BF-05 / 1.25	DN80	DN80	5	1.25	650	900	1200	800	250
BF-03 / 1.5	DN80	DN80	3	1.5	500	1200	1500	600	250
BF-04 / 2	DN100	DN100	4	2	600	1200	1500	750	250
BF-05 / 2.5	DN100	DN100	5	2.5	650	1250	1550	800	250
BF-06 / 3	DN100	DN100	6	3	700	1250	1600	900	250
BF-08 / 4	DN125	DN125	8	4	900	1300	1650	1150	250
BF-10 / 5	DN125	DN125	10	5	1000	1350	1700	1250	250
BF-12 / 6	DN150	DN150	12	6	1100	1350	1700	1350	250
BF-14 / 7	DN150	DN150	14	7	1200	1400	1700	1450	250



Contact : Vivergy Co.,Ltd.

22/1, Soi Punna Vithi 29, Sukhumvit 101 Rd., Bangchak, Phrakhanong, Bangkok 10260 Thailand
Tel: (+662) 730 5702 , Fax: (+662) 730 5701 , E-mail : floculation@yahoo.com , www.vivergy.net



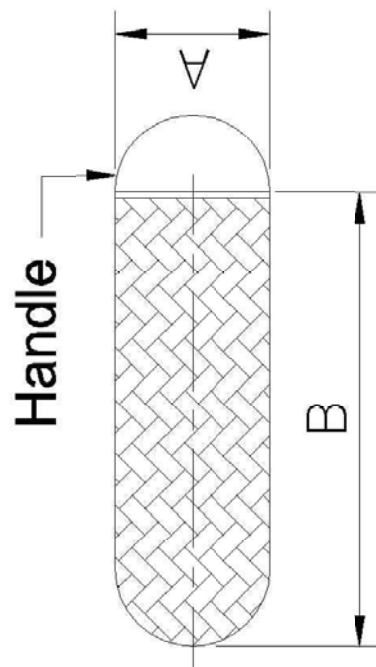


VIVERGY CO.,LTD

The High-Tech Filter and Mixer

Needle Felt Filter Bag Specification

Description	Model 01	Model 02
Bag Diameter (A)	Ø7"	Ø7"
Bag Length (B)	17"	34"
Reinforcing Ring Material	SUS304, SUS316	
Nominal Rating	5, 10 micron	
Cloth Material	Fuse Filtex Needle Felt	
Stitching Thread	Polypropylene	



Contact : Vivergy Co.,Ltd.

22/1, Soi Punna Vithi 29, Sukhumvit 101 Rd., Bangchak, Phrakhanong, Bangkok 10260 Thailand
Tel: (+662) 730 5702 , Fax: (+662) 730 5701 , E-mail : floculation@yahoo.com , www.vivergy.net

