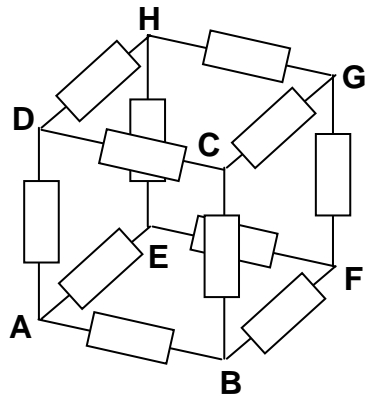


# Current of Electricity Challenging Question

Prepared by Mr fRancis Chong

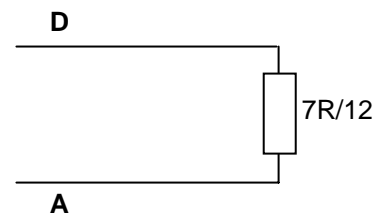
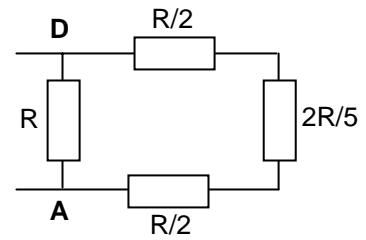
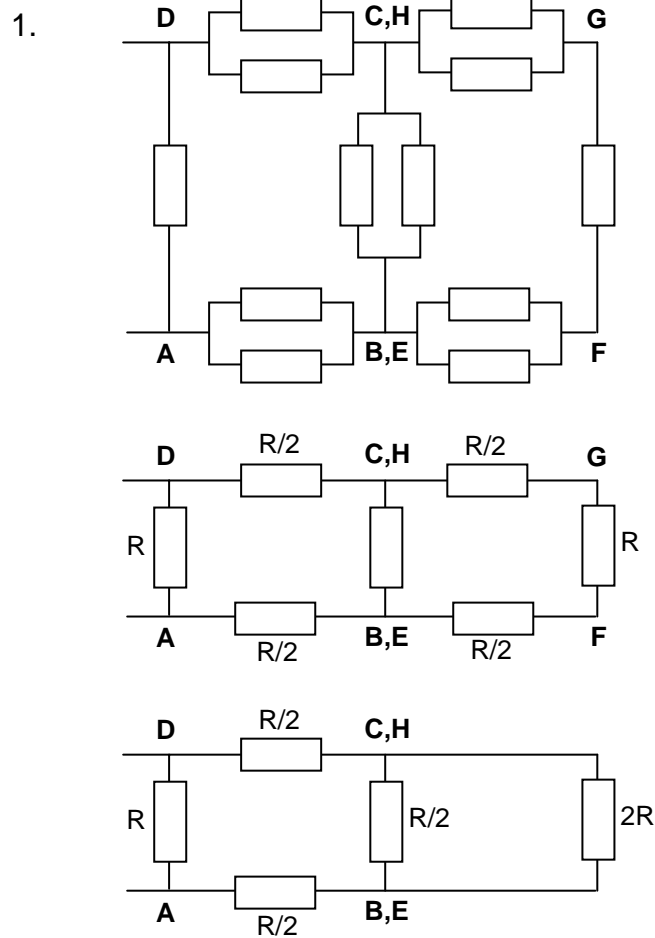


A cube is formed using 12 identical resistors are shown above. Find the equivalent resistance across points

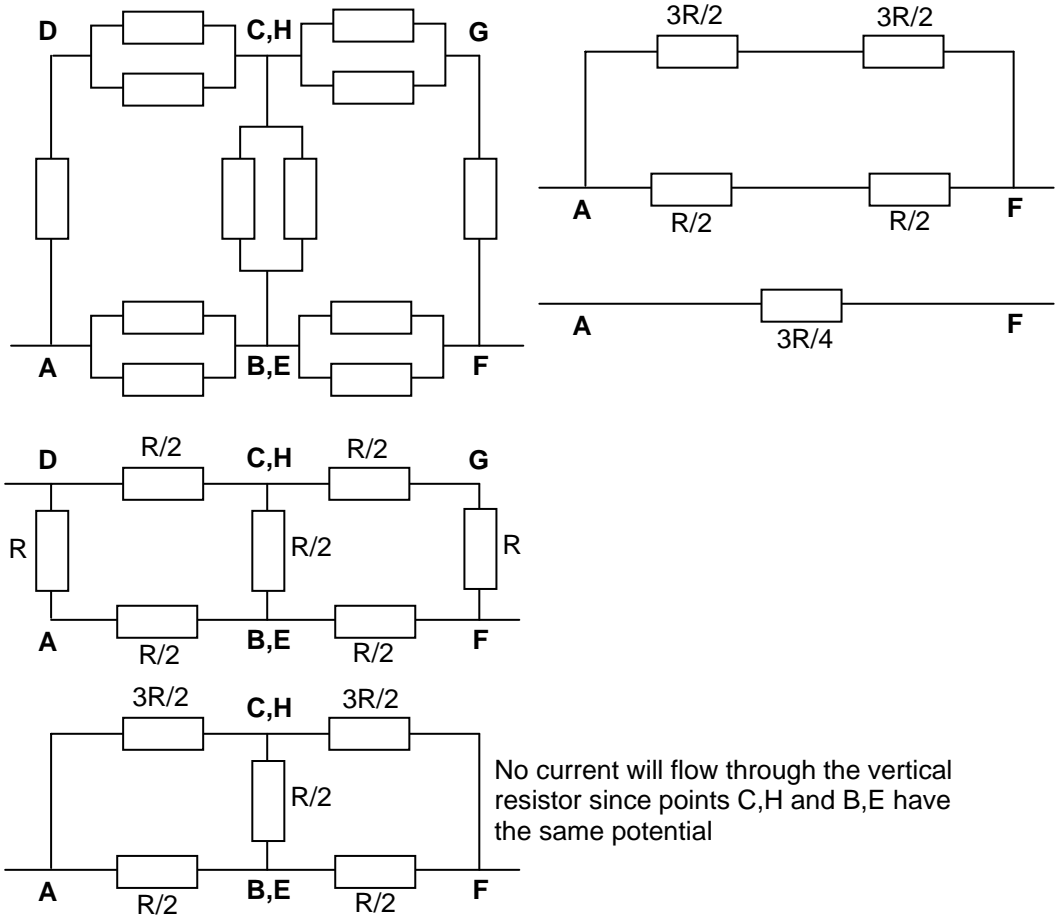
1. AD
2. AF
3. AG

## SOLUTIONS

Connecting points with the same potential, we can simplify the circuit into the following



2.



3.

