

Drawing information

KEY:

FSPD - Free standing pillar drill
 BMBD - Bench mounted pillar drill
 CBB - Circular belt sander
 JS - Jig saw
 LFBCB - Large fluted bed circular saw
 WVB - Double work bench with Vices
 MWL - Metal work tables
 CMC - CNC router
 WVB - Work station
 WML - Wood work tables
 SB - Spray booth
 GVB - Gas welding bay
 DW - Drinking water

NOTE

Horizontal duct system 1200mm from ground is shown in cyan.

Electrically feed to machines is shown in green.

Cold drinking water from header tank to sink is shown in magenta.

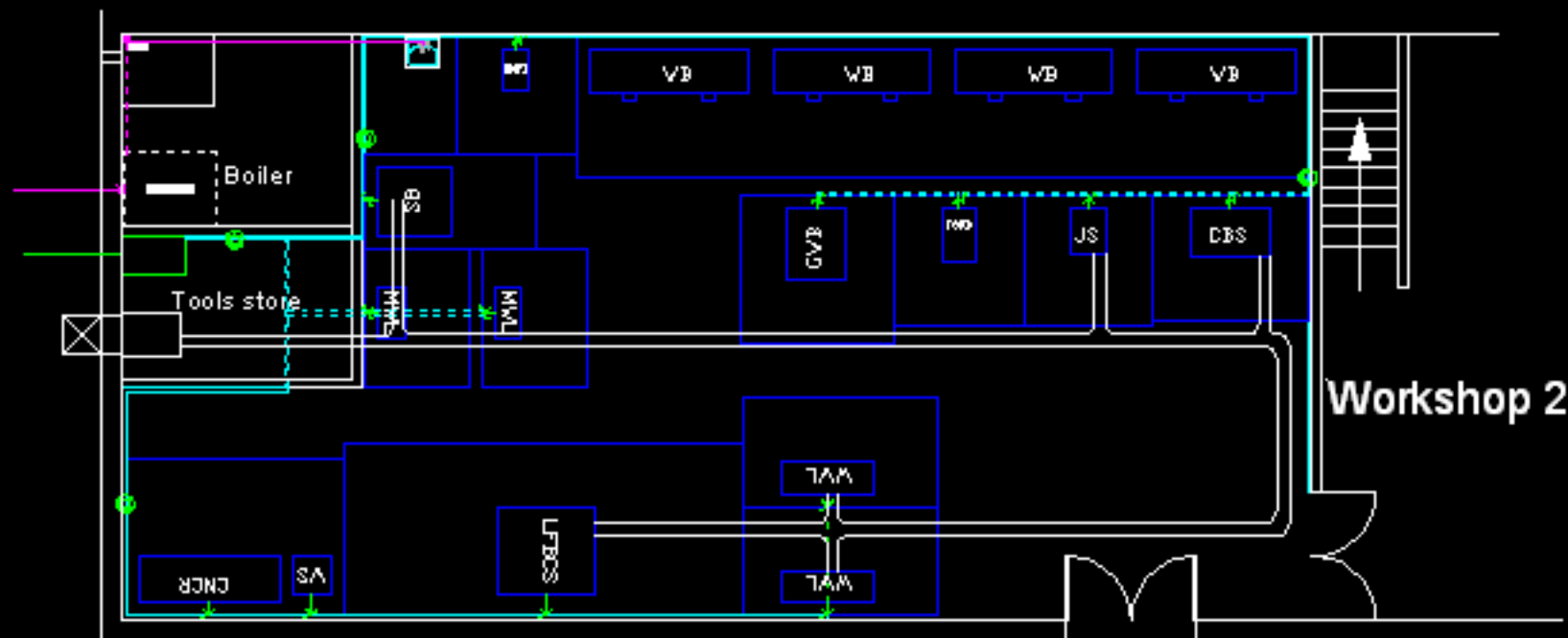
Name: Solomon K. Kamanu

Student No: 0521422

Module: Design technology

Scale: 1:50

Assignment: 2



Service duct shown in cyan. Runs along the the side of the building at a height of 1500mm from the screed.

The dotted lines, show where the electricity has be passed throught the suspended ceiling and feed to the socket 1100mm from the ceiling by means of flexible pipes.

This is better explained in the section view.