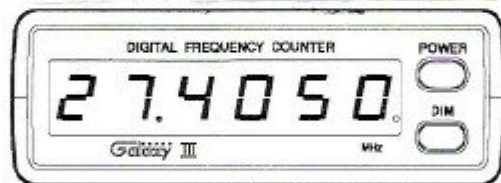
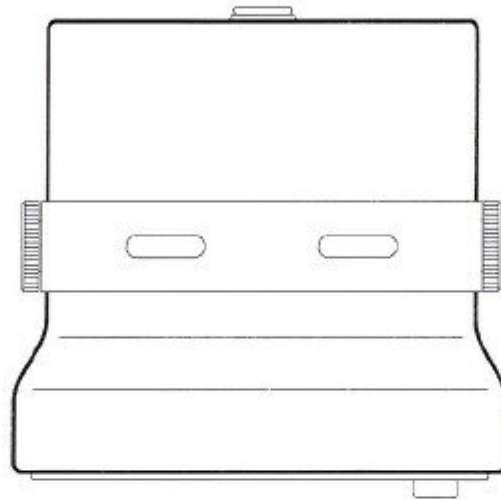


# Galaxy III

## Deluxe Digital Frequency Counter



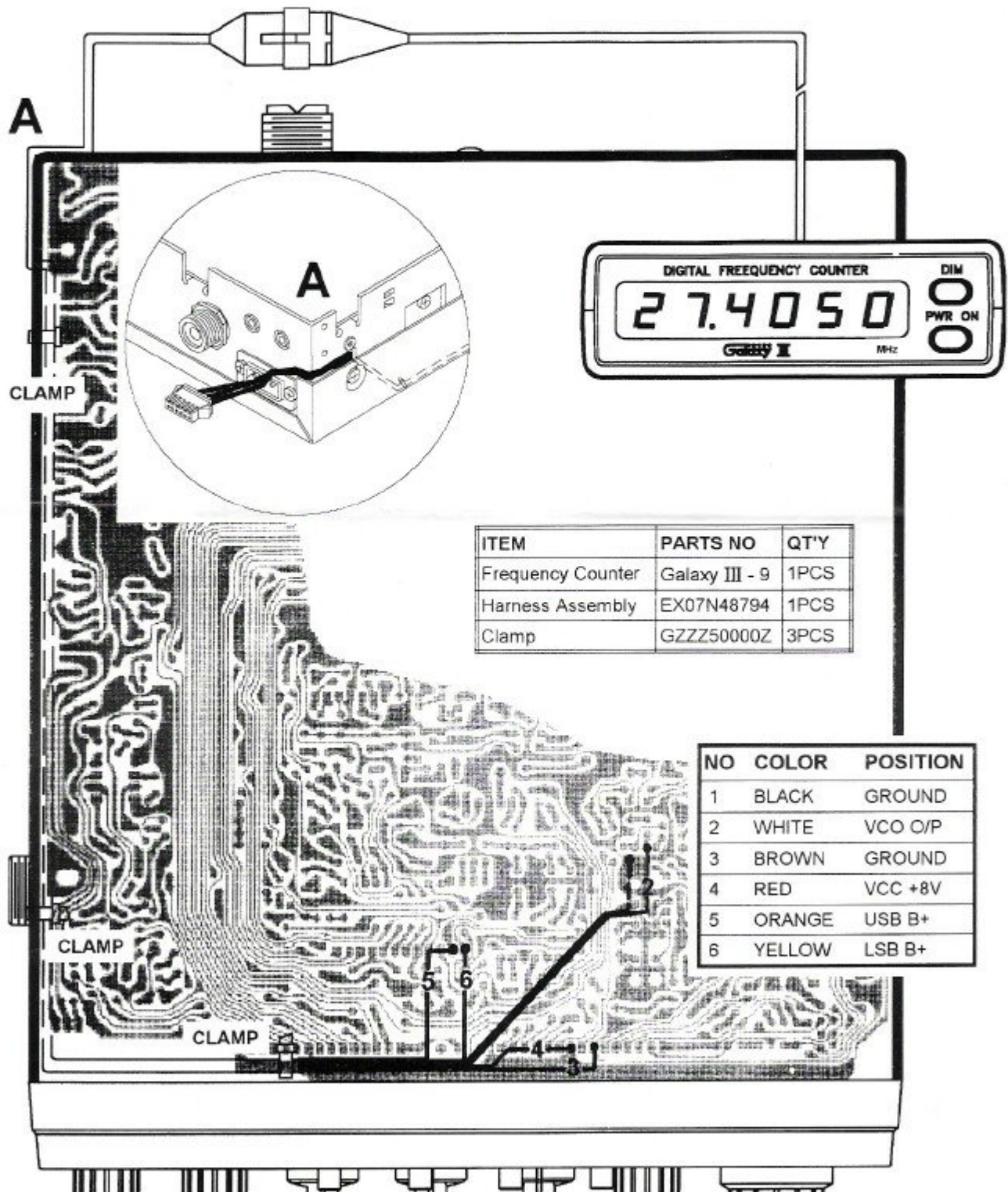
The Galaxy III digital frequency counter is universal designed for use in CB and amateur radio, It provide more exciting radio Communications.

### SPECIFICATION :

Power Requirements	8 ~ 13.8V DC
Frequency Range	1 ~ 40MHz
Consumption Current	60mA
Input Impedance	5K Ohm, 20pF
Standard Oscillating Frequency	4.5MHz $\pm$ 10ppm
Input Voltage	100mV ~ 2Vrms
Dimensions	21/11 X 97.5/11 X 91.5/11 mm

# Harness Assembly Wiring Instruction :

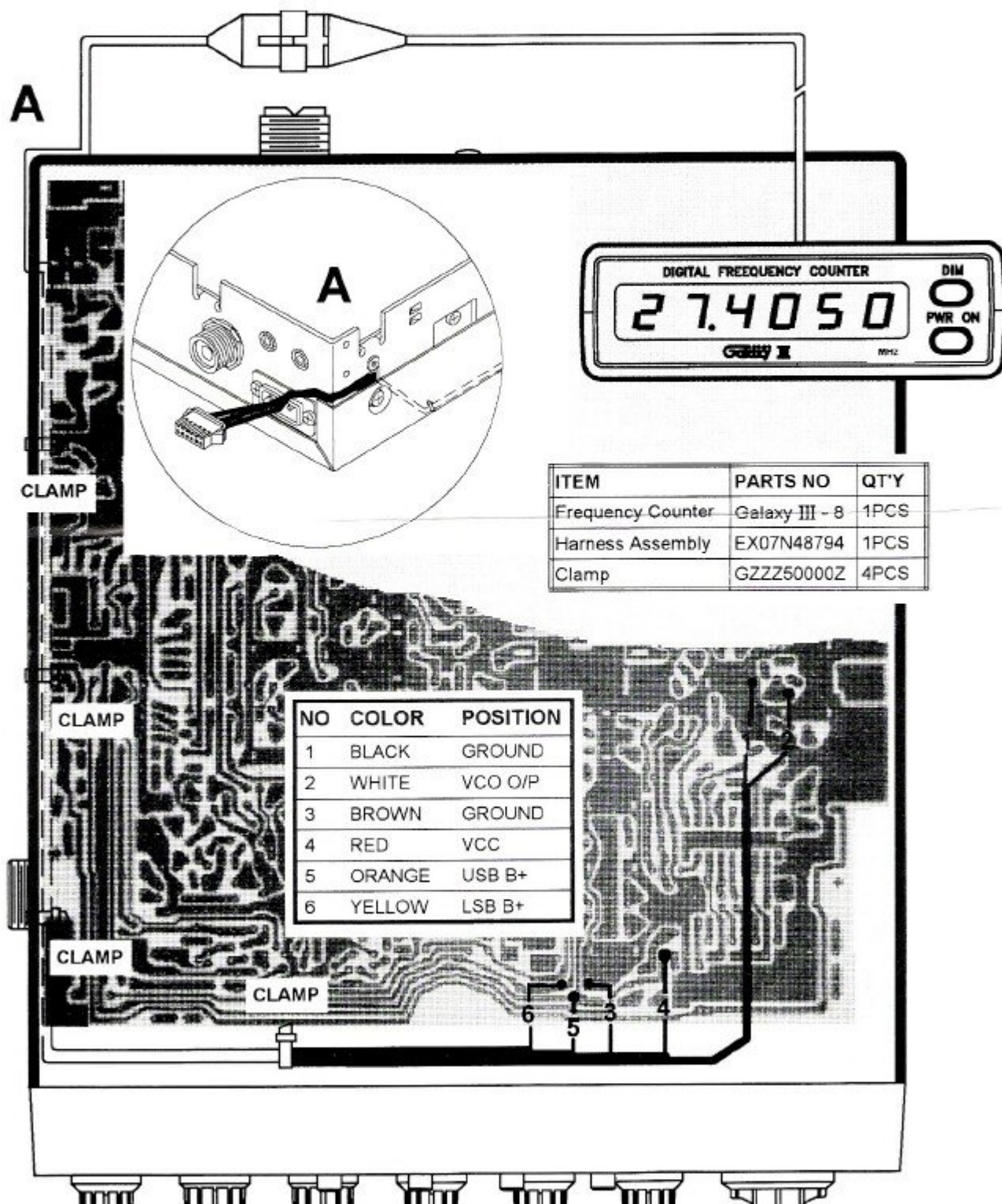
( Fig. 1-1, For Amateur Radio Model SS-3900 )



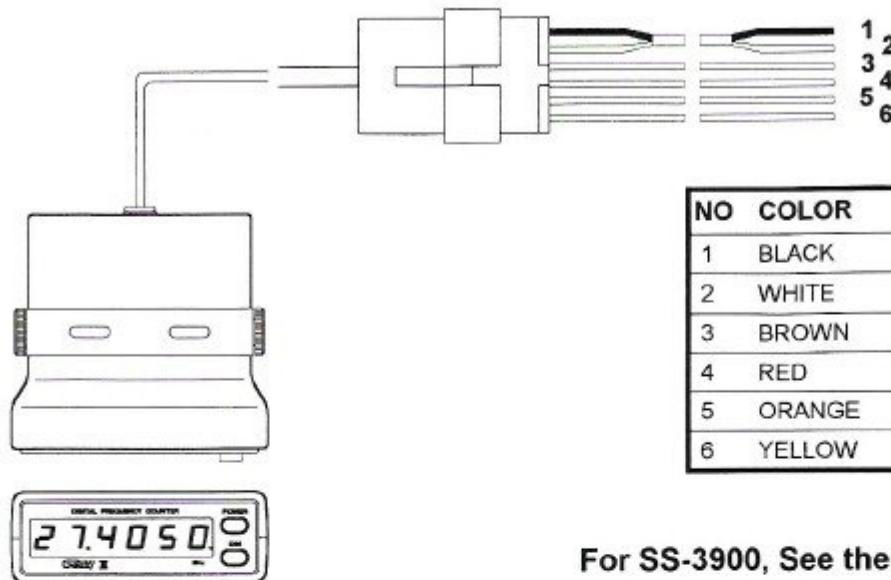


## Harness Assembly Wiring Instruction :

( Fig. 1-2, For CB Transceiver Model Cobra 148GTL )



## CONNECTION :



For SS-3900, See the Fig. 1-1

For Cobra 148GTL, See the Fig. 1-2

## SCHEMATIC DIAGRAM :

