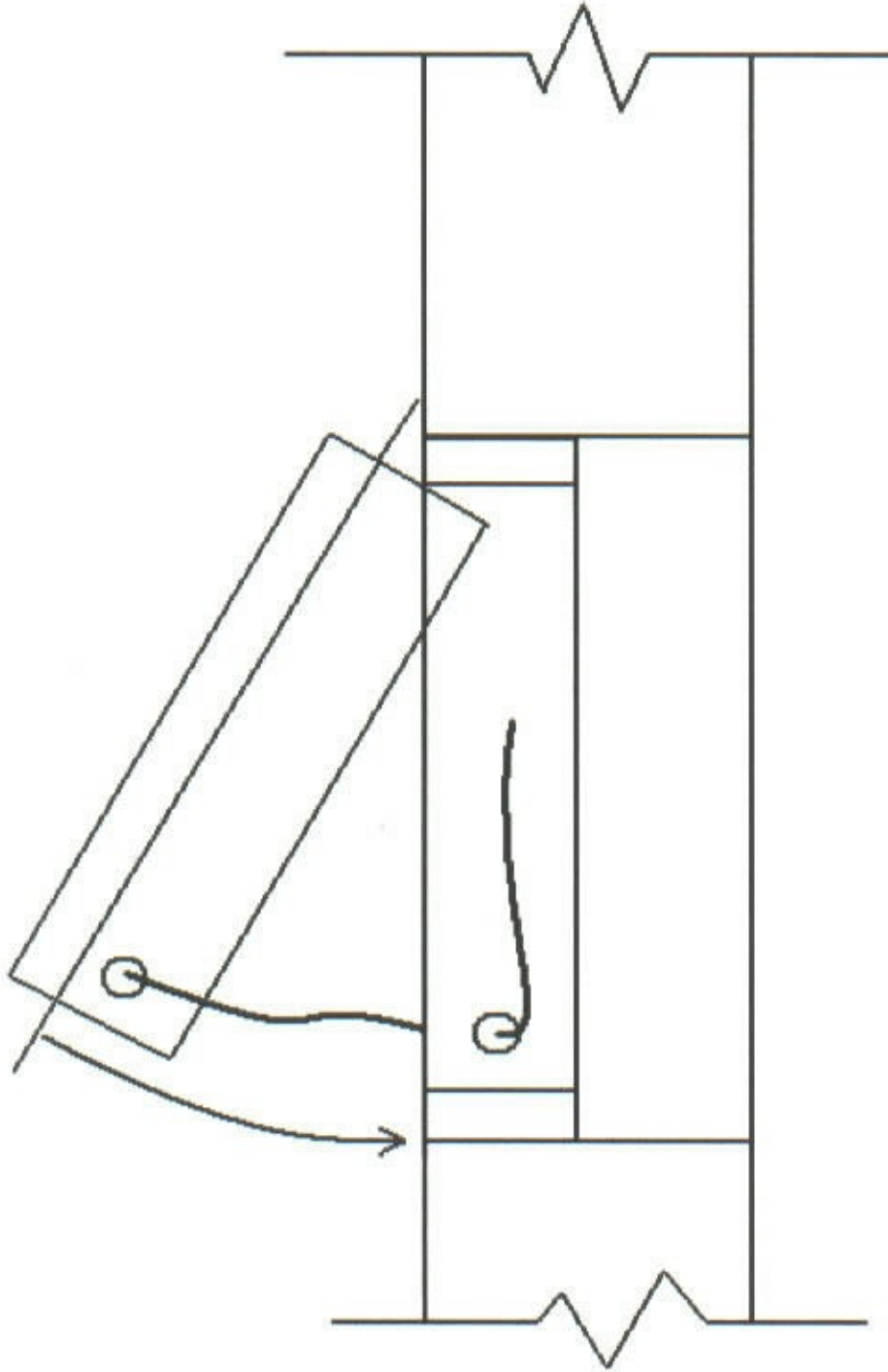
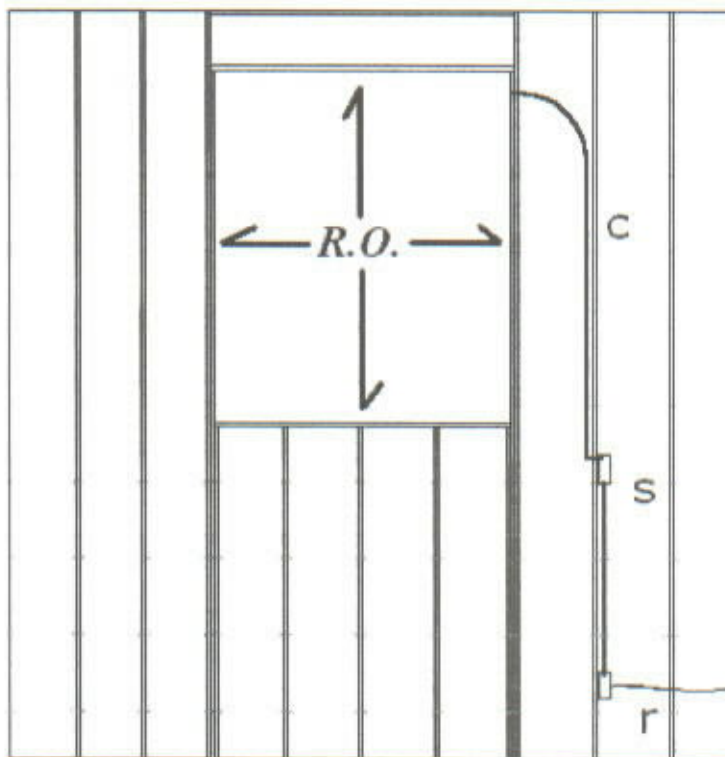


Installation Guide #1



Framing Detail



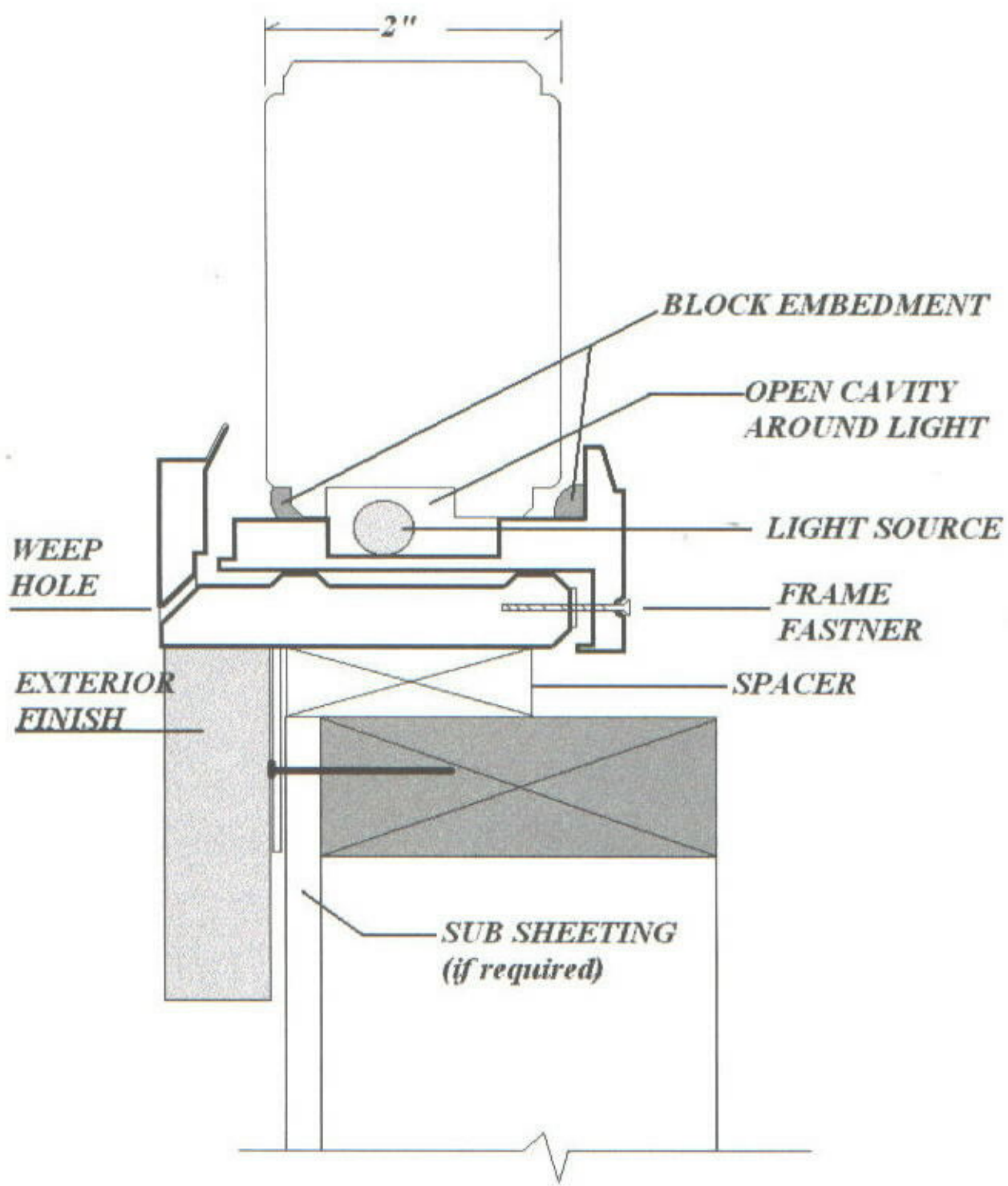
ROUGH FRAMING DETAILS

*C CONDUIT
S SWITCH
R RECEPTICLE*

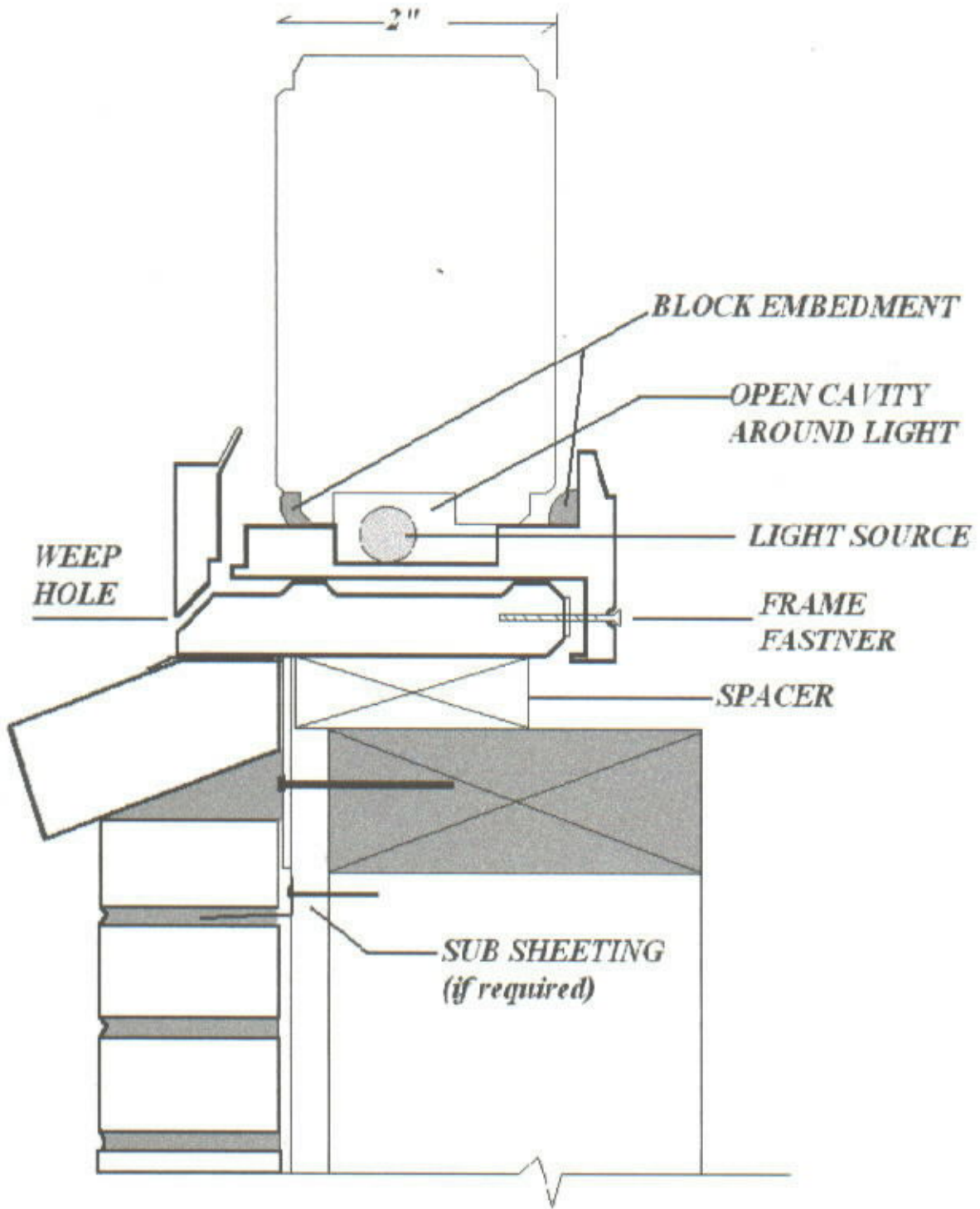
*R.O. Rough Opening is determined by the number of blocks plus 4 3/8".
6" or 8" blocks. Example: four 8" blocks are 32" plus 4 3/8" = 36 3/8"
This is figured both horizontally and vertically and gives the required
minimum opening for the window*

*Consult local jurisdiction for the requirement of wiring
conduit for your particular application. All wiring connections
to be made by licensed electrician where required by code.*

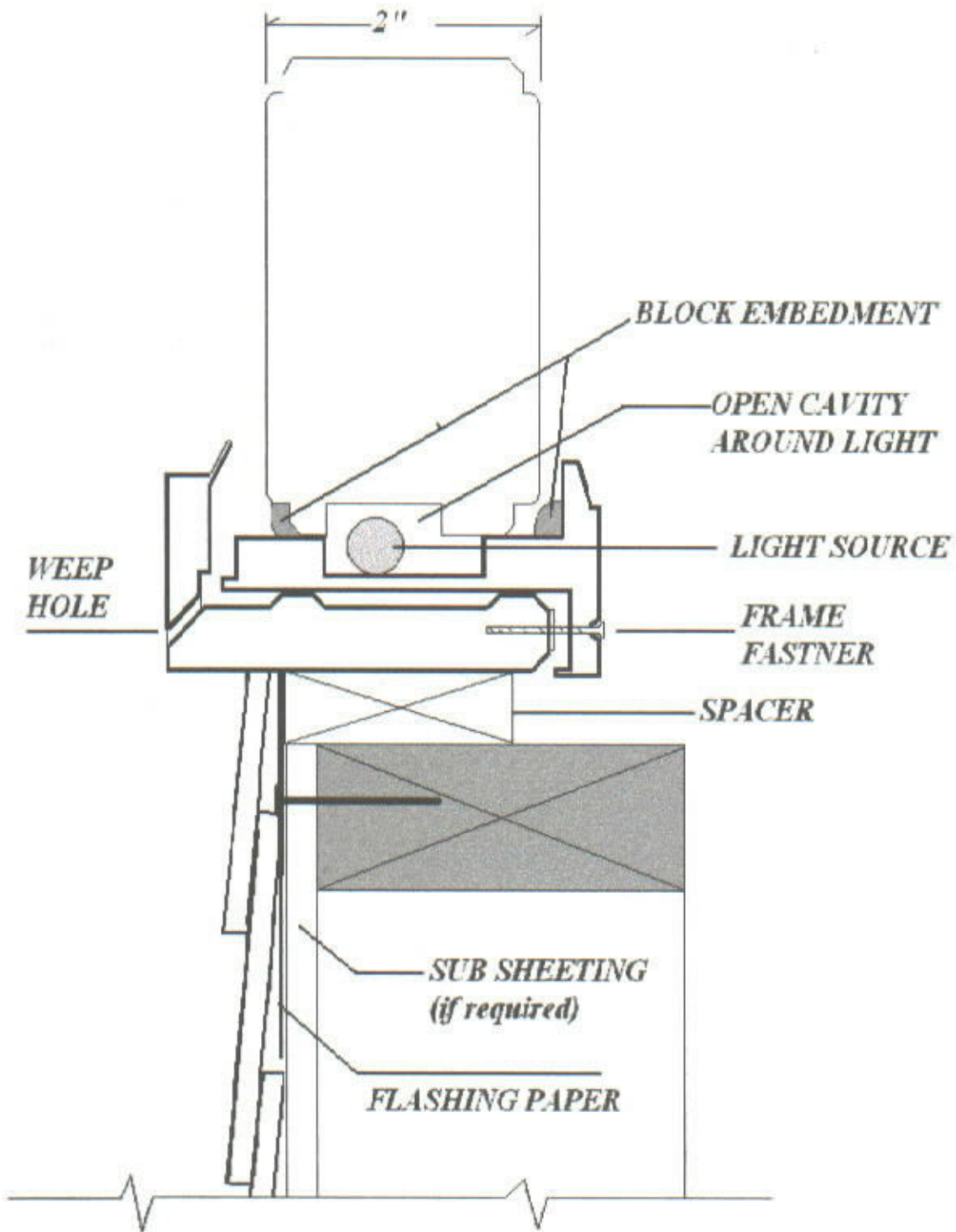
Sturco Finish Detail



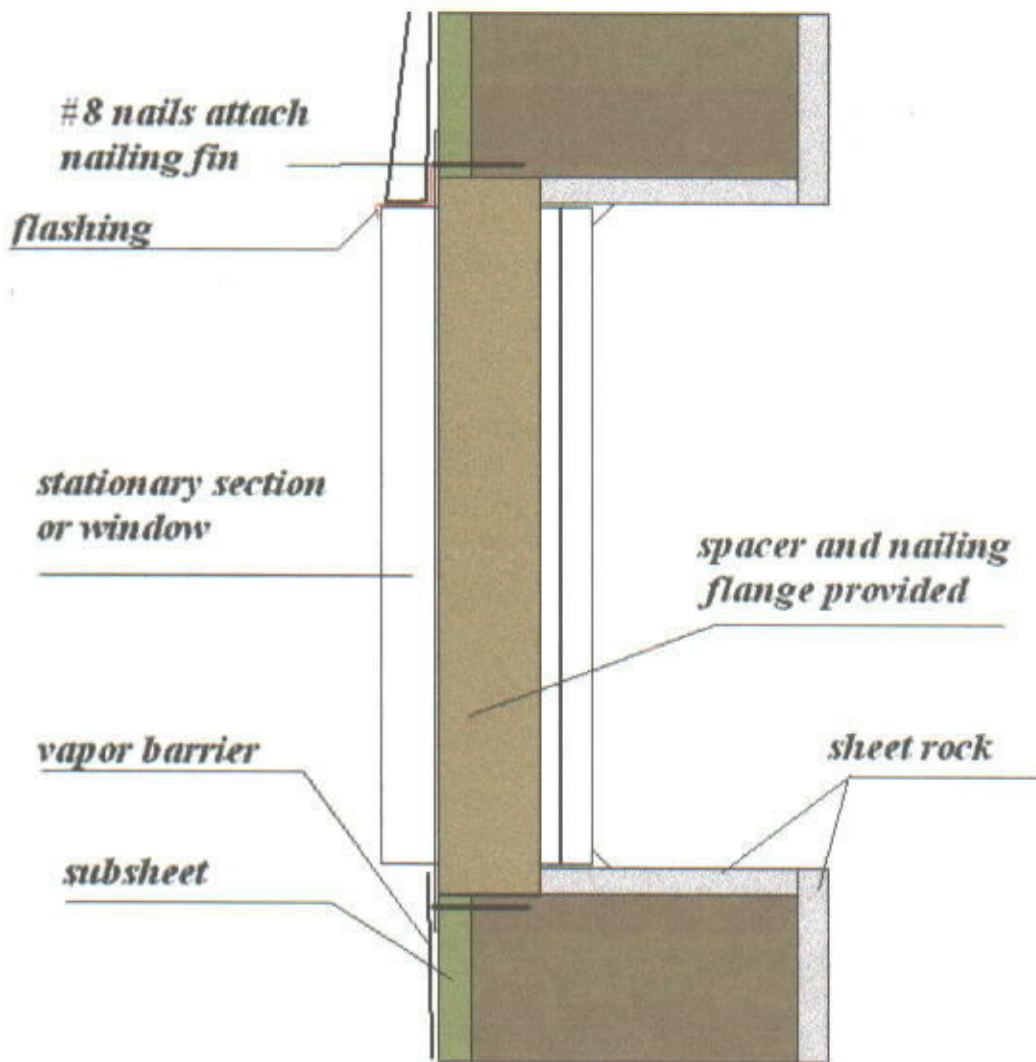
Brick Siding Detail



Lap Siding Detail



Installation Guide #2



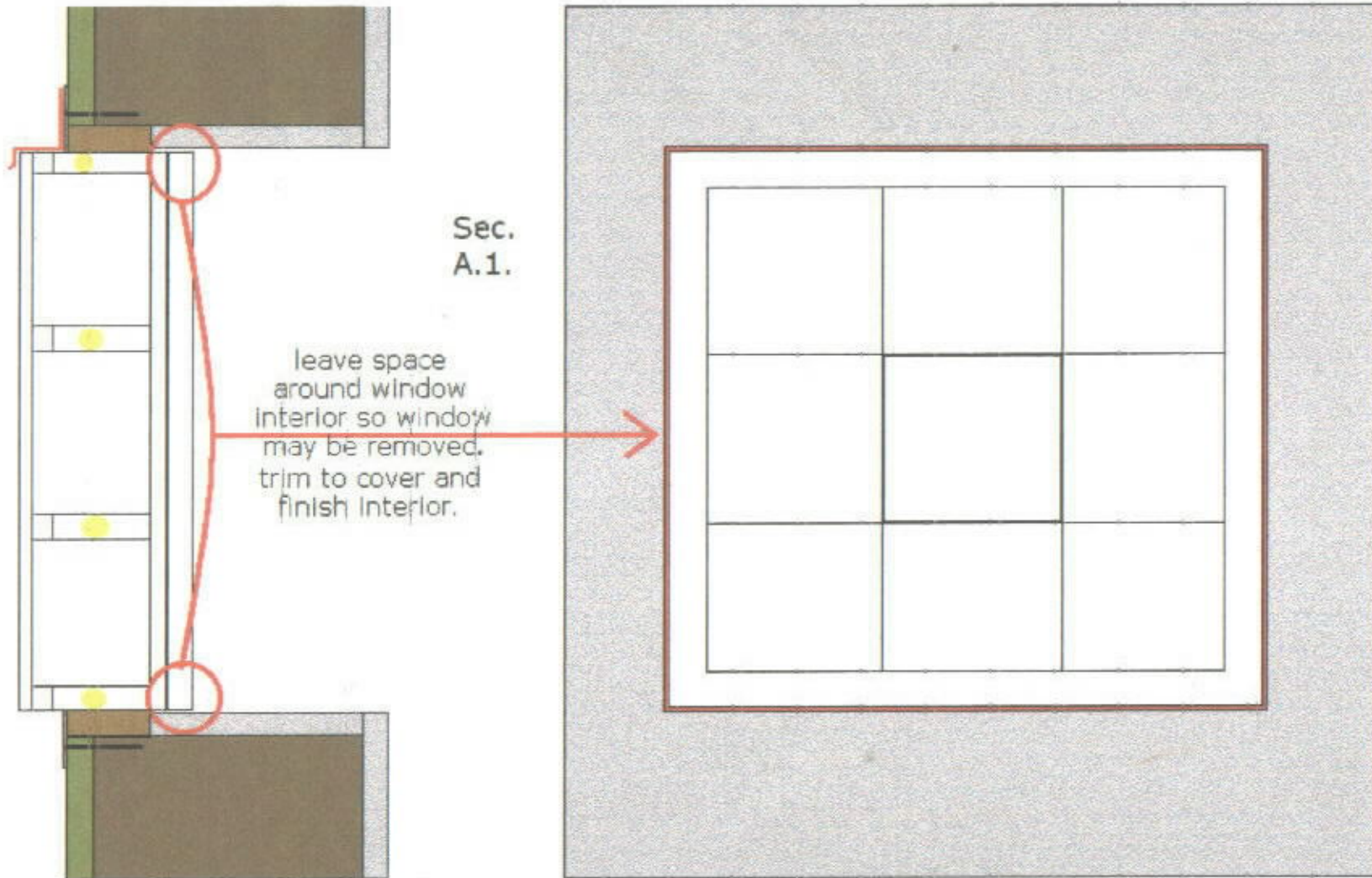
Hole for electrical to be drilled thru framing in location in line with window connection. Hole to be large enough for conduit where required.

Vapor barrier is attached to wall before window is installed.

Spacer is nailed to framing, flush with the outside of the wall.

Install window feeding electrical line at the same time, flush window fin to outside wall and attach with #8 galvanized nails.

Finish Guide



Detail shows a full wrap with drywall. If using a sill of greater dimension than 1/2" accomadation must be made to keep interior of window free to be removed.