



Pennsylvania Meteor

Parts List

Models 1008, 1010 and 1012

This parts list covers all parts which can be supplied individually by Pennsylvania Lawn Products, Inc. In all cases where standard hardware, belts or similar parts can be used their sizes are indicated. These can usually be obtained locally.

Engines are covered by separate Engine Mfg. warranty and parts list. Parts for them are not handled by Pennsylvania, but must be obtained from Engine Dealers.

The hydraulic transmission unit is also separately covered by warranty of the Sunstrand Company. It is not anticipated these units will be field overhauled and the parts shown are only those replaceable without dismantling the transmission.

The entire Meteor rear axle assembly is a rebuilt Plymouth rear end. Where regular automobile repair parts can be used this is indicated by *. Rears from a wide range of years prior to 1957 are used but only in case of oil seal size and number of axle spline

teeth is there significant difference. No axle outer seals are reinstalled in Panzer Tractor rear ends.

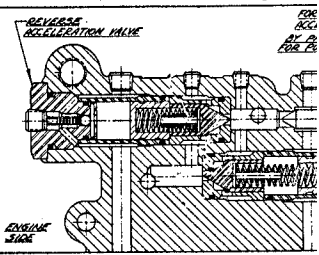
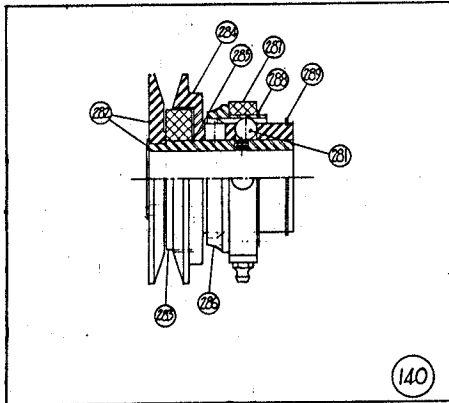
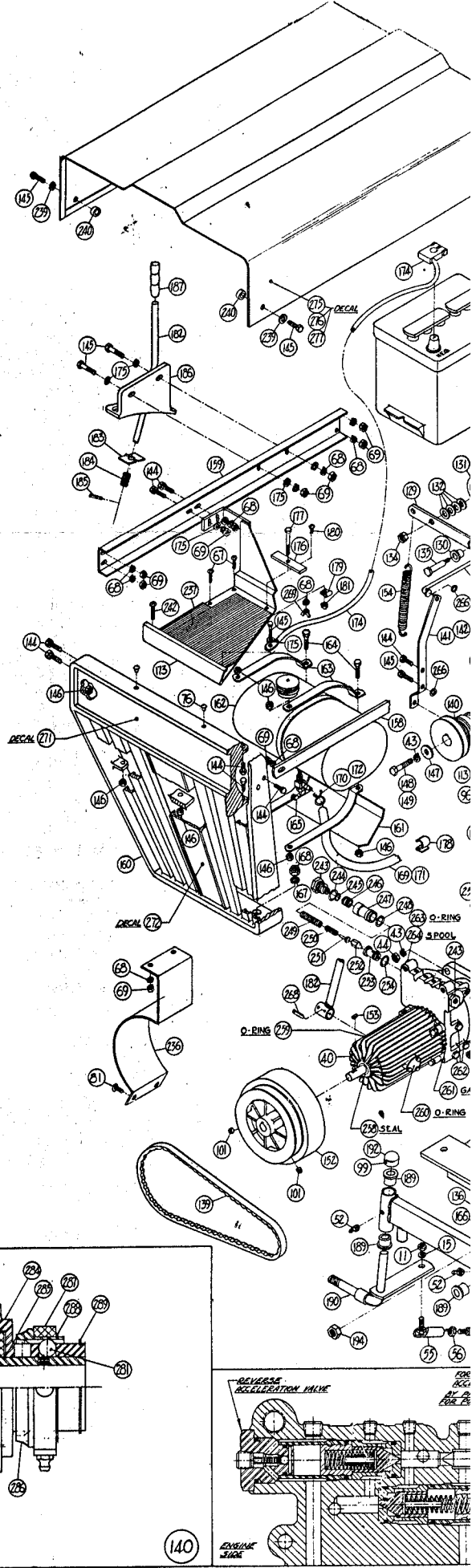
We are converting all parts numbers to simple 5 digit numbers. For convenience of older dealers where parts are the same, the old Panzer or Pennsylvania numbers is shown also. For Hydro-Transmission parts Fig. 243-264 inclusive the "Old Part No." is the Sunstrand part number. For clutch parts Fig. 282-290 inclusive the "Old Part No." is the V-Belt Clutch Company part number.

Always use the "New Part No." and the description when ordering parts.

Pennsylvania Lawn Products reserves the right to change parts, design, materials and specifications without notice and without obligation to so alter previously made units.

NEW FIG. PART NO NO	OLD PART NO	DESCRIPTION	QUANT.			NEW FIG. PART NO NO	OLD PART NO	DESCRIPTION	QUANT.		
			1008	1010	1012				1008	1010	1012
1	77550	Frame Weldment	1	1	1	57	71315	Washer (5/8 SAE Flat)	1	1	1
2	76987	T102-79 * Differential Gear (Complete Assy.)	1	1	1	58	71042	Locknut (5/8-11)	1	1	1
3	76988	T102-115 * Pinion Seal	1	1	1	59	83601	Bottom Pillow Block	1	1	1
4	76989	T102-78 * Flange	1	1	1	60	73008	T70-435 Angle Grease Fitting (1/8NPT67 $\frac{1}{2}$)	1	1	1
5	76990	T70-347 * Spacer (Located in Diff.)	1	1	1	61	77589	Dash Panel Weldment	1	1	1
6	71043	T70-348 * Slotted Nut (3/16 Hex)	1	1	1	62	77497	Reservoir-Filter (Deluxe)	1	1	1
7	71802	2802 Cotter Pin (1/8 Dia.x1 $\frac{1}{2}$)	3	3	3	63	77943	Filter Cartridge (#317342)	1	1	1
8	70055	T70-362 * Diff. Bolt (Special 3/8-24x1 $\frac{1}{2}$)	11	11	11	64	77595	Reducing Bushing (1/2 IPS to 1/4 IPS)	2	2	2
9	71322	2762 Washer (3/8IDx11/16ODx.050 Copper)	4	4	4	65	77594	Connector (68x5A 1/4 IPS)	2	2	2
10	71028	2543 Elastic Locknut (3/8-24)	4	4	4	66	83602	Top Pillow Block	1	1	1
11	71009	2504 Hex Nut (3/8-24)	33	33	33	67	70084	Machine Screw (1/4-20x3/4 Ph. Tr. Hd.)	4	4	4
12	76992	T70-369 * Gasket (Located in Diff.)	1	1	1	68	71605	2600 Lockwasher (1/4 Med. Split)	29	33	33
13	75807	T102-58 Sprocket (48 Teeth, 5/8P**50 Chain)	1	1	1	69	71019	2501 Hex Nut (1/4-20)	23	26	26
14	70009	2450 Hex Cap Screw (3/8-24x1 $\frac{1}{4}$)	10	9	9	70	76851	T70-405 Neoprene Grommet (#838 37006)	1	1	1
15	71602	2602 Lockwasher (3/8 Med. Split)	21	21	21	71	76831	3252 Switch (Cole Hersee#95516-A)	1	1	1
16	76995	T102-75Lg. * Inner Seal (Located in Diff. Housing.)	2	2	2	72	77600	Throttle Control (Western Control 34 5/8")	1		
		T102-75Sm. Indicate whether 2 11/16 or 2 7/16 OD.	2	2	2	73	77601	Choke Control (Western Control 27 5/8")	1		
17	76999	T50-190-16Sp. Rear Axle	2	2	2	74	71301	2705 Washer (3/8 Wr. Flat)	7	7	7
		T50-190-10Sp. (Indicate whether 16 or 10 Spline Teeth)	2	2	2	75	70018	2461 Hex Cap Screw (1/4-20x1 $\frac{1}{2}$)	1	1	1
18	74006	T70-370 * Bearing Race	2	2	2	76	77563	Rubber Bumper	6	6	6
19	70056	T70-371 * Brake Plate Bolt (Special 3/8-24x11/8)	8	8	8	77	76830	3298 Conduit Plug	1		
20	77000	T70-372 * Shim (1/32 Velumoid)	12	12	12	78	76856	3295 Ammeter (#2015 Range 20-0-20)	1	1	
21	77001	T70-373 Shim Seal (1/32 Velumoid)	2	2	2	79	71045	4063-1 Hex Nut (10-32)	2	2	2
22	77010	R/H Brake Plate Weldment	1	1	1	80	76858	3253 Solenoid (Cole Hersee#24046)	1	1	1
23	77011	L/H Brake Plate Weldment	1	1	1	* 81	70038	2462 Tapite Screw (1/4-20x5/8 Ph. Tr. Hd.)	14	17	17
24	77017	T65-355 Brake Adjustment Stud	2	2	2	82	84610	Voltage Regulator	1	1	1
25	77018	T65-353 Brake Adjustment Sleeve	2	2	2	83	77602	Throttle Control (Western Control 27 5/8")	1	1	1
26	77019	T65-354 Clevis	2	2	2	84	77603	Choke Control (Western Control 35")	1	1	1
27	77020	T102-70 Brake Shoe	2	2	2	85	84602	Connecting Wire W/Terminals (21" Blue)	1	1	1
28	71030	T65-356 * Anchor Nut (5/8-18)	2	2	2	86	77185	03546 Wiring Loom	1	1	1
29	70057	T65-356 * Eccentric Bolt	2	2	2	87	84603	Connecting Wire W/Terminals (9 1/2" Blue)	1	1	1
30	71324	T65-356 * Felt Washer	2	2	2	88	84604	Connecting Wire W/Terminals (13" Green)	1	1	1
31	71325	T65-356 * Felt Washer Cap	2	2	2	89	84605	Connecting Wire W/Terminals (21" White)	1	1	1
32	71308	T65-356 * Flat Washer (5/8IDx1"ODx.078)	2	2	2	90	84607	Connecting Wire W/Terminals (4" Black)	1	1	1
33	75604	T65-350 * Brake Spring	2	2	2	91	84608	Connecting Wire W/Terminals (6" Green)	1	1	1
34	77023	T70-375 * Axle Key (5/16x5/16x2 1/4)	2	2	2	92	77856	Pig Tail	1		
35	77024	T102-71 Brake Drum (Lug bolt holes tapped out *to 9/16-18)	2	2	2	93	76859	3183 Battery Cable (15" #15-SS-4)	1	1	1
		Washer (3/4IDx1 1/2ODx1/8)	2	2	2	94	84601	Battery Cable (19")	1	1	1
36	71326	2724 Hex Nut (3/4-16)	2	2	2	95	70024	2405 Hex Cap Screw (5/16-18x3/4)	2	2	2
37	71031	2507 Pipe Plug (1/4 NPT Steel)	1	1	1	96	71600	2601 Lockwasher (5/16 Med. Split)	17	17	17
38	77025	3189 Brake Adjustment Cover	2	2	2	97	77672	Steering Shaft	1	1	1
39	77028	T65-357 Transmission (Sunstrand #90-2027)	1	1	1	98	77055	T50-147 Collar (3/4" ID)	2	2	2
40	77446	Gasket (3/64 Velumoid)	1	1	1	99	70031	2350 Set Screw (1/4-20x1/4 Soc. Hd.)	4	4	4
41	77579	77446 Hex Cap Screw (7/16-14x2)	1	1	1	100	83605	Pinion Gear	1	1	1
42	70106	77446 Lockwasher (7/16 Med. Split)	4	4	4	101	70039	2353 Set Screw (5/16-18x3/8 Soc. Hd.)	6	6	6
43	71607	77446 Hex Nut (7/16-14)	4	4	4	102	77664	5195 Key (1/4x1/4)	1	1	1
44	71024	2735 Washer (.752/.757"IDx1 1/4ODx1/16)	2	2	2	103	77611	Lift Handle Weldment	1	1	1
45	71321	2735 Universal Joint (Neapco#16G6G6)	1	1	1	104	77842	Lift Release Rod	1	1	1
46	77562	77307 Woodruff Key (#9 3/16x3/4)	3	3	3	105	77843	Lift Release Bracket	1	1	1
47	77307	77580 Elbow (69x5A 1/4 IPS)	2	2	2	106	76839	T60-206 Handle Grip (3/4" White)	1	1	1
48	77580	77581 Plastic Tubing (3/16IDx5/16ODx14 1/2)	1	1	1	107	77604	Knob	2	2	2
49	77581	77582 Plastic Tubing (3/16IDx5/16ODx16 1/2)	1	1	1	108	72010	6845 Roll Pin (.131"IDx15/16)	1	1	1
50	77582	83604 Steering Gear	1	1	1	109	70013	2397 Hex Cap Screw (5/16-18x1)	3	3	3
51	83604	2032 Grease Fitting (1/8 NPT Self Tapping)	6	6	6	110	71040	11-8-C Locknut (5/16-18)	2	2	2
52	73007	77744 L/H Tie Rod	1	1	1	111	75615	7151 Spring (7/32IDx5/16ODx2 1/4)	1	1	1
53	77744	77845 R/H Tie Rod	1	1	1	112	70010	2464 Hex Cap Screw (5/16-18x1 1/4)	1	1	1
54	77845	77845 Ball Joint (3/8-24 Tourek #R-109)	4	4	4	113	71000	2502 Hex Nut (5/16-18)	15	15	15
55	76701	2527 Hex Jam Nut (3/8-24)	4	4	4	114	70015	2398 Hex Cap Screw (5/16-18x1 1/2)	2	2	2
56	71007	2527 Kohler Engine (8Hp. #181T)	4	4	4	115	75108		1		

FIG. NO	NEW PART NO	OLD PART NO	DESCRIPTION	QUANT.		
				1008	1010	1012
116	75107		Tecumseh Engine (10Hp.*HH100-115020)	1		
117	75109		Tecumseh Engine (12Hp.*HH120-200002)		1	1
118	77663		Pipe Nipple (Close 3/8 NPT)	1	1	
119	76918		Pipe Coupling (3/8 NPT)	1	1	1
120	77944		Pipe Nipple (Close 1/2 NPT)	1		
121	77945		Pipe Coupling (1/2 NPT)	1		
122	77615		R/H Engine Mounting Angle	1	1	1
123	77616		L/H Engine Mounting Angle	1	1	1
124	73011		Shock Mount (Lord*J-4624)	5	5	5
125	70023	2411	Hex Cap Screw (3/8-24x1 1/2)	2	3	3
126	77094	3186	Ground Strap (8" 12V.*8EG-2)	1	1	1
127	77620		Clutch Pivot Weldment	1	1	1
128	70067	2408	Hex Cap Screw (3/8-16x3/4)	1	1	1
129	77623		Idler Arm Weldment	1	1	1
130	74715	3045	Flange Bushing (1/2Dx13/16ODx1/2)	2	2	2
131	75314	3037	Idler Pulley (BCA 6361)	1	1	1
132	71314	2710	Washer (1/2 SAE Flat)	3	1	1
133	70132	2414	Hex Cap Screw (1/2-20x2)	1	1	1
134	71036	2547	Jam Locknut (1/2-20)	1	1	1
135	70046		Bolt (Hex 1/2D.x1 1/2, 3/8-16x3/4 Th'd)	1	1	1
136	71300	2746	Washer (1/2 Wr. Flat)	2	2	2
137	77626		Special Key (1/4x1/2 13/16)	1	1	1
138	83607		Engine Pulley	1	1	1
139	74210		Cog Belt (Dayco V-167M)	1	1	1
140	75313		V-Belt Clutch (1" Bore*R-4)	1	1	1
141	77627		Clutch Arm R/H	1		
142	77946		Clutch Arm R/H	1	1	1
143	77628		Clutch Arm L/H	1		
144	70022	4262	Hex Cap Screw (1/4-20x3/4)	12	12	12
145	70036		Hex Cap Screw (1/4-20x1)	7	7	7
146	71011	4030-1	Locknut (1/4-20)	15	15	15
147	71353		Tension Washer	1	1	1
148	70058	2390	Hex Cap Screw (3/8-24x2 H.S. H.T.)	1	1	1
149	70125		Hex Cap Screw (7/16-20x2)	1	1	1
150	77678		Shock Bracket Weldment	1	1	1
151	77674		Clutch Rod	1	1	1
152	83603		Transmission Pulley	1	1	1
153	76654	6035	Woodruff Key (#6 5/32x5/8)	1	1	1
154	75601		Spring (9/16IDx3/4ODx5 1/4)	1	1	1
155	77846		Lift Quadrant	1	1	1
156	70052	2406	Hex Cap Screw (5/16-18x1 3/4)	1	1	1
157	71354		Washer (21/64IDx1 1/2ODx16Ga.)	2	2	2
158	77841		Hood Brace	1	1	1
159	77635		Support Channel	1	1	1
160	83600		Grill	1	1	1
161	77638		Heat Deflector	1	1	1
162	76862	3292	Gas Tank	1	1	1
163	77637		Gas Tank Strap	2	2	2
164	70100	2460	Hex Cap Screw (1/4-20x1 1/4)	12	12	12
165	76863	T70-420	Shut Off Valve (Dexter#1011)	1	1	1
166	70112	2412	Hex Cap Screw (1/2-13x1 1/2)	2	2	2
167	71613	2603	Lockwasher (1/2 Med. Split)	2	2	2
168	71032	2505	Hex Nut (1/2-13)	2	2	2
169	77947		Gas Hose (1/4IDx7/16ODx22)	1		
170	77948		Gas Hose Clamp	2		
171	77949		Gas Hose (9/32IDx17/32ODx28 1/2)	1	1	1
172	77950		Gas Hose Clamp	2	2	2
173	77642		Battery Support Weldment	1	1	1
174	84609		Battery Cable (13")	1	1	1
175	71310	2702	Washer (1/4 Wr. Flat)	10	11	11
176	77643		Battery Hold Down	1	1	1
177	70111	2374	Hex Cap Screw (1/4-20x2 1/4)	1	1	1
178	73025		Gas Hose Clip (#C26141-020-1)	1	1	1
179	77220		Throttle Clamp	1		
180	70068	2424	Machine Screw (10-24x1/2 Rd. Hd.)	1		
181	71038	40134	Keps Nut (10-24)	1		
182	77646		Shift Lever Weldment	1	1	1
183	77675		Shift Lever Detent	1	1	1
184	75602	3172	Spring (9/16IDx23/32ODx1)	1	1	1
185	72000	2850	Roll Pin (3/16Dia.x1)	3	3	3
186	83615		Shift Lever Casting	1	1	1
187	77476		Handle Grip (Black#4)	1	1	1
188	77555		Front Axle Weldment	1	1	1
189	74708	3142	Flange Bushing (3/4IDx1"ODx3/4)	6	6	6
190	77559		R/H Wheel Axle Weldment	1	1	1
191	77560		L/H Wheel Axle Weldment	1	1	1
192	77146	T50-126	Shaft Cap (3/4)	2	2	2
193	70110		Hex Cap Screw (3/4-16x3 1/2)	1	1	1
194	71003	2546	Locknut (3/4-16)	1	1	1
195	83612		Parking Brake	1	1	1
196	70012	6404-B	Bolt (1/2Dia.x1.406W/3/8-16x13/32Th'd)	1	1	1
197	74010		Pillow Block (Fafnir PSD 3/4)	1	1	1
198	77649		Drive Shaft	1	1	1
199	75806		Sprocket (50Chain,10Teeth,3/4Bore)	1	1	1
200	74908		Chain W/Conn. Link (#50,5/8P.,55P 1Con)	1	1	1
201	74909	T102-83	Half Link (#50,5/8Pitch)	AR	AR	AR



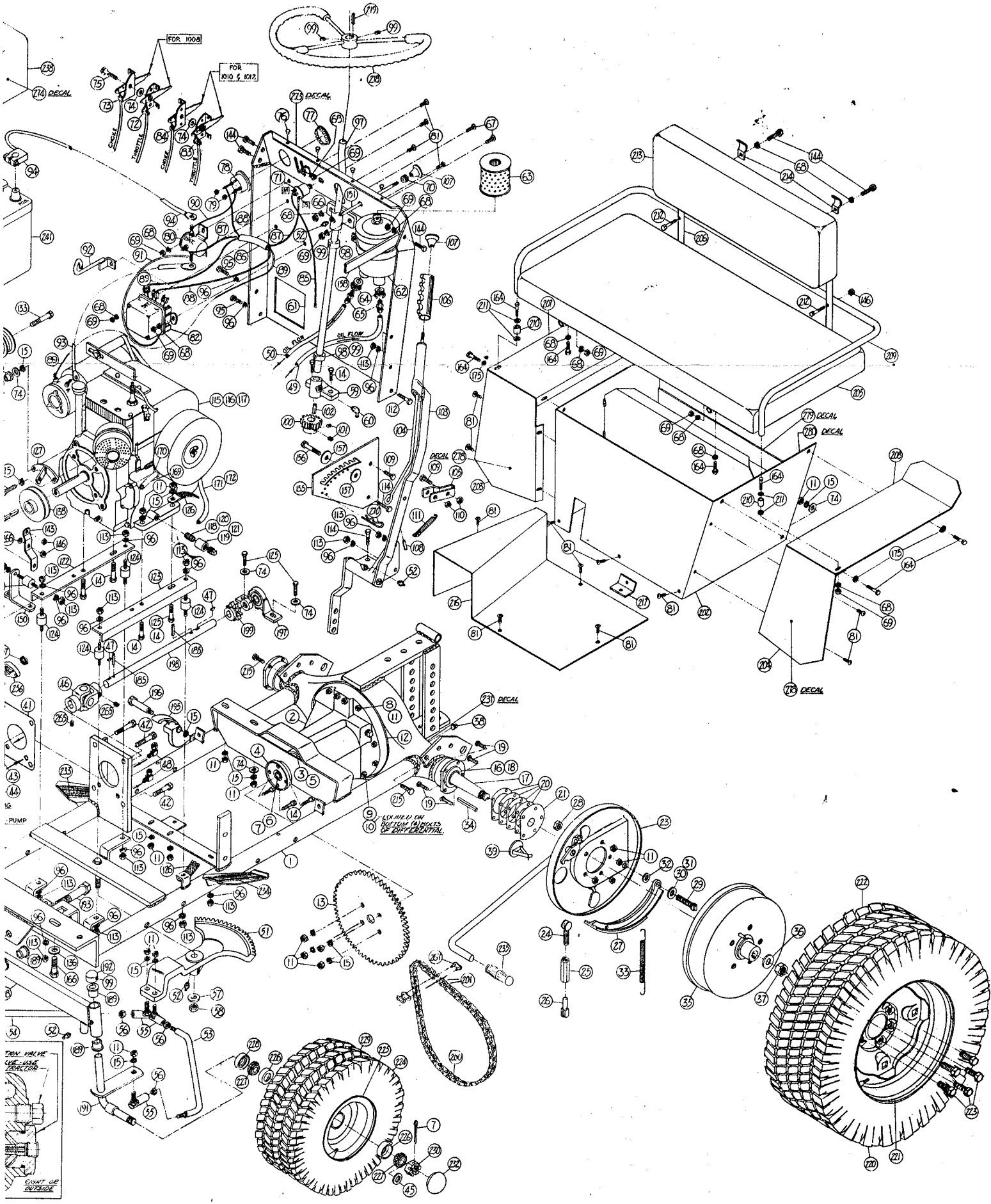


FIG. NO	NEW PART NO	OLD PART NO	DESCRIPTION	QUAN.			FIG. NO	NEW PART NO	OLD PART NO	DESCRIPTION	QUAN.		
				1008	1010	1012					1008	1010	1012
202	77652		Seat Frame Weldment	1	1	1	246	77956	3100046	Piston	2	2	2
203	77568		R/H Front Fender	1	1	1	247	77957	3100043	Sleeve - Piston	2	2	2
204	77569		L/H Front Fender	1	1	1	248	77958	9004100-0180	O-Ring	2	2	2
205	77523		Seat Cushion	1	1	1	249	75620	3100058	Spring - Check Valve	2	2	2
206	77597		Seat Back Frame	1	1	1	250	75621	3100057	Spring - Relief Valve	2	2	2
207	77570		R/H Top Fender	1	1	1	251	77959	3100047	Seat - Spring	2	2	2
208	77571		L/H Top Fender	1	1	1	252	77960	3100048	Cone - Relief Valve	2	2	2
209	77598		Seat Frame	1	1	1	253	77961	3100098	Sleeve - Relief-Valve	2	2	2
210	73019		Rubber Bushing (1/4IDx9/16ODx5/8)	2	2	2	254	77962	9004100-0170	O-Ring	2	2	2
211	71329	2701	Washer (9/32IDx9/16ODx.047)	4	4	4	255	77963	3101187	Gasket	1	1	1
212	70124	01401	Hex Cap Screw (1/4-20x1 3/4)	2	2	2	256	77964	3101185	Housing - Seal	1	1	1
213	77524		Seat Back	1	1	1	257	77965	9700096	Seal - Assembly	1	1	1
214	77654		Conduit Strap (1/2)	2	2	2	258	77966	3100082	Seal	1	1	1
215	70004	2007	Hex Cap Screw (3/8-24x1)	2	2	2	259	77967	9004103-1160	O-Ring	1	1	1
216	77633		Deck	1	1	1	260	77968	9004100-0250	O-Ring	2	2	2
217	77651		Center Deck Tab	1	1	1	261	77969	3100065	Gasket - Pump	1	1	1
218	77147	3286	Steering Wheel	1	1	1	262	77970	9004201-3100	O-Ring	6	6	6
219	76619	5193	Key (1/4x1/4x1)	1	1	1	263	77971	9004100-0110	O-Ring	1	1	1
220	76030		Rear Tire (23-8.50x12 Terra Tire)	2	2	2	264	77972	3100052	Spool - By Pass Valve	1	1	1
221	76029		Rear Wheel (5x12)	2	2	2	265	70032	2354	Set Screw (3/8-16x3/8 Soc. Hd.)	2	2	2
222	76031		Rear Wheel Assembly	2	2	2	266	71327	2761	Spring Washer (.375/.382"IDx1/4ODx.010)	3	3	3
223	70075	T102-52	Lub Bolt (9/16-18x1 1/4)	10	10	10	267	74912	T102-82	Connecting Link ("50 Chain,5/8P.)	1	1	1
224	76027		Front Tire (15-6.00x6 Tubelless)	2	2	2	268	72001	2852	Roll Pin (1/4 Dia. x 1)	1	1	1
225	76026		Front Wheel	2	2	2	269	71013	2540	Wing Nut (1/4-20)	1	1	1
226	74013		Bearing Race	4	4	4	270	73028		Clip Pin	1	1	1
227	74014		Bearing (Timken LM 11949)	4	4	4	271	76264		Decal-Grill "Pennsylvania"	1	1	1
228	74015		Bearing Seal (#178HD14 C/R)	2	2	2	272	76265		Decal-Grill "Meteor"	1	1	1
229	76028		Front Wheel Assembly	2	2	2	273	76271		Decal-Dash Panel	1	1	1
230	71043		Slotted Nut (1/4-16x41/64 Th'k)	2	2	2	274	76275		Decal-Hood, Rear "Pennsylvania Meteor"	2	2	2
231	76231	3308	Decal-Rear End-"Check Oil Level"	1	1	1	275	76272		Decal-Hood, Front Model "1008"	2		
232	77951		Hub Cap	2	2	2	276	76273		Decal-Hood, Front Model "1010"		2	
233	77666		R/H Foot Rest Pad	1	1	1	277	76274		Decal-Hood, Front Model "1012"			2
234	77667		L/H Foot Rest Pad	1	1	1	278	76219	3319	Decal-Fenders, Front "PQ"	2	2	2
235	77676	3042	Brake Pedal Grips	2	2	2	279	76222	3307	Decal-Outside Tool Box-"Pennsylvania"	1	1	1
236	77668		Pulley Shield	1	1	1	280	76220	3293	Decal-Inside Tool Box-Serial Number	1	1	1
237	77952		Battery Pad	2	2	2	281	78031	B15	Balls (3/8 Dia.)	7	7	7
238	77656		Hood	1	1	1	282	78023	BBS-2-1"-321	Hub and End Disc	1	1	1
239	71317	2741	Washer (17/64IDx5/8ODx.050)	2	2	2	283	78024	BR57AB	Idle Bearing	1	1	1
240	74716	2260	Spacer (5/16IDx5/8ODx1/4)	2	2	2	284	78025	BR44	Slid.Disc	1	1	1
241	77526		** Battery (12V.322F)	1	1	1	285	78026	BB7C	Retaining Ring	1	1	1
242	70133		Machine Screw (1/4-20x1 Ph.Tr.Hd.)	1	1	1	286	78027	BB55	Cam Sleeve	1	1	1
243	77953	3100050	Plug Assembly-Metering	2	2	2	287	78028	BB9W	Collar/Yoke	1	1	1
244	77954	9004100-1180	O-Ring	2	2	2	288	78029	BB5D	Retaining Ring	1	1	1
245	77955	9004100-0150	O-Ring	2	2	2	289	78030	BB13Y	Retaining Ring	1	1	1

Remember when ordering, give new part number and name of part wanted as well as tractor model number.

PENNSYLVANIA TRACTOR WARRANTY

For one year from purchase date, Pennsylvania Lawn Products, Inc. will replace for the original purchaser, any part or parts found upon examination at the Factory to be defective under normal use and service, on account of defects in material or workmanship, PROVIDED A WARRANTY REGISTRATION CARD HAS BEEN PROPERLY FILLED OUT AND IS ON FILE AT THE PENNSYLVANIA LAWN PRODUCTS, INC. FACTORY. For the gear train, axles, and bearings located within the rear differential housing the period of warranty is five years. All transportation charges on parts submitted for replacement under warranty, are to be borne by purchaser. This warranty covers Pennsylvania Tractors and Pennsylvania attachments manufactured by Pennsylvania Lawn Products, Inc. It does not include engines, hydro-transmission, tires, batteries, and attachments which are

manufactured by companies other than Pennsylvania Lawn Products, Inc. The items which are excluded from Pennsylvania's warranty are subject to the warranty of the original manufacturer. The Pennsylvania warranty is ineffective if equipment has been subject to misuse, negligence, or accident, or if it has been repaired or altered in any respect which, in our judgment, affects its condition or operation. There is no other warranty expressed or implied. Pennsylvania Lawn Products, Inc. shall in no event be liable for consequential damage. Further Pennsylvania Lawn Products, Inc. neither assumes nor authorizes any other person to assume for it any other liabilities in connection with the sale of tractors or attachments. This warranty does not apply to Meteor equipment used commercially.



Pennsylvania Lawn Products, Inc.

DIVISION OF VIRGINIA METALCRAFTERS, INC.

Waynesboro, Virginia 22980

